

**FLEETWOOD**  
WINDOWS & DOORS  
FleetwoodUSA.com

**NORWOOD 3070EX M/S**  
OXXIXXO CUSTOM CONFIGURATION  
WITH SCREENS

ORDER NO.:

ITEM NO.:

SCALE: 1/4

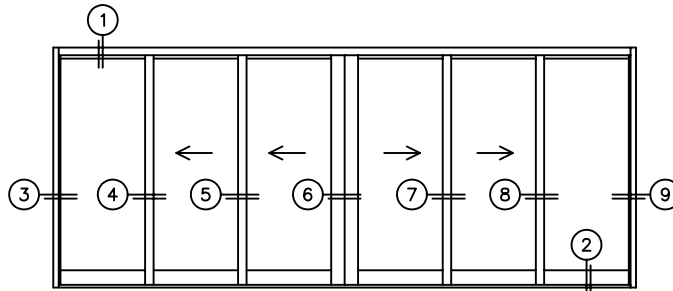
REQUIRED DEALER INFO.

**A** (NET FRAME WIDTH)

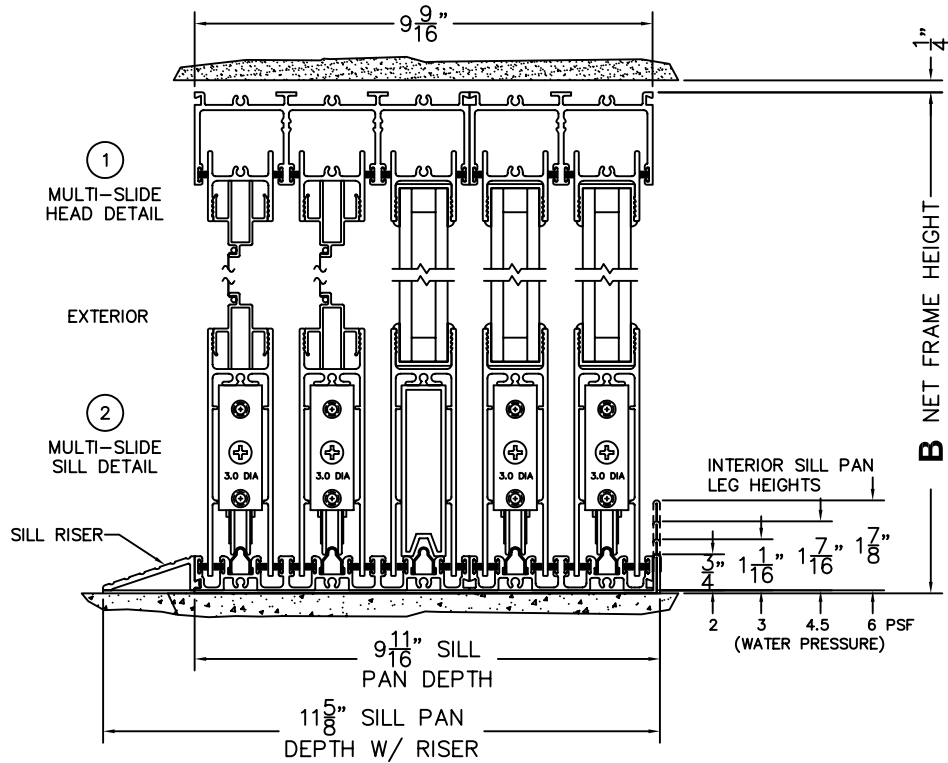
**B** (NET FRAME HEIGHT)

SILL PAN HEIGHT (INTERIOR LEG)  
(3/4", 1-1/16", 1-7/16" OR 1-7/8")

NOTES:



OXXIXXO DOOR SHOWN





**FLEETWOOD**  
 WINDOWS & DOORS  
 FleetwoodUSA.com

**NORWOOD 3070EX M/S**  
 OXXIXO CUSTOM CONFIGURATION  
 WITH SCREENS

ORDER NO.:

ITEM NO.:

SCALE: 1/4

