

FLEETWOOD
WINDOWS & DOORS
FleetwoodUSA.com

NORWOOD 3070EX M/S
OXIXOO CUSTOM CONFIGURATION
NO SCREENS

ORDER NO.:

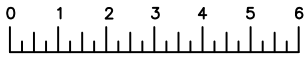
ITEM NO.:

REQUIRED DEALER INFO.

A(NET FRAME WIDTH)

B(NET FRAME HEIGHT)

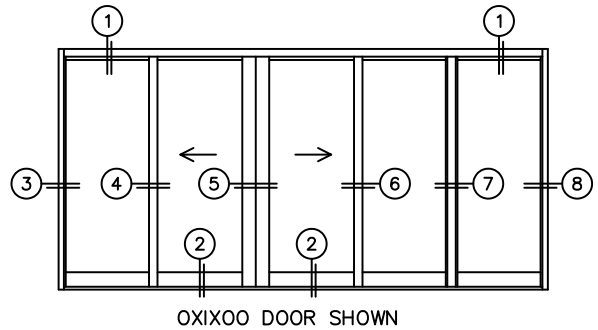
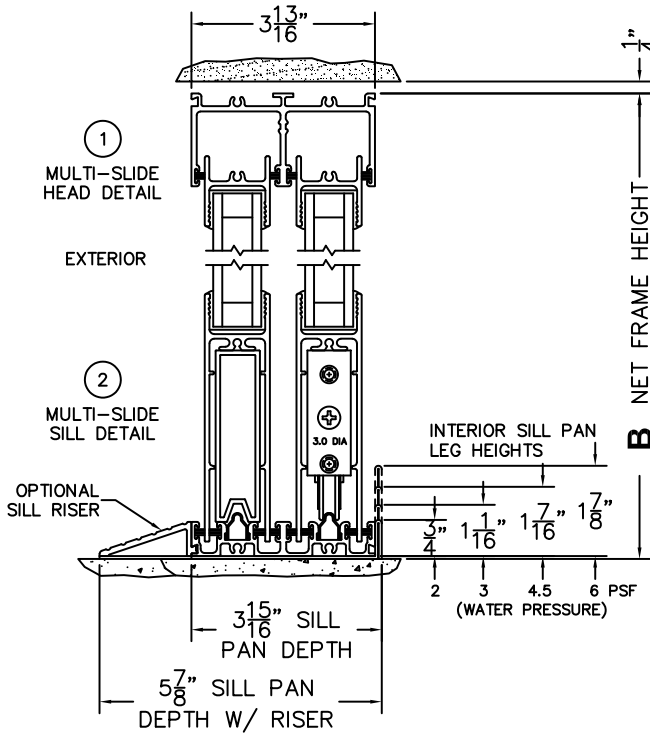
SILL PAN HEIGHT (INTERIOR LEG)
(3/4", 1-1/16", 1-7/16" OR 1-7/8")



(USE RULER TO SCALE DIMENSIONS IN INCHES)

SCALE: 1/4

NOTES:



- ③
FIXED JAMB
- ④
INTERLOCKERS
- ⑤
MEETING STILES
- ⑥
INTERLOCKERS
- ⑦
T-MULLION
- ⑧
FIXED JAMB

