

**FLEETWOOD**  
WINDOWS & DOORS  
FleetwoodUSA.com

**NORWOOD 3070EX M/S**  
**OXIXO CUSTOM CONFIGURATION**  
**WITH SCREENS**

ORDER NO.:

ITEM NO.:

SCALE: 1/4

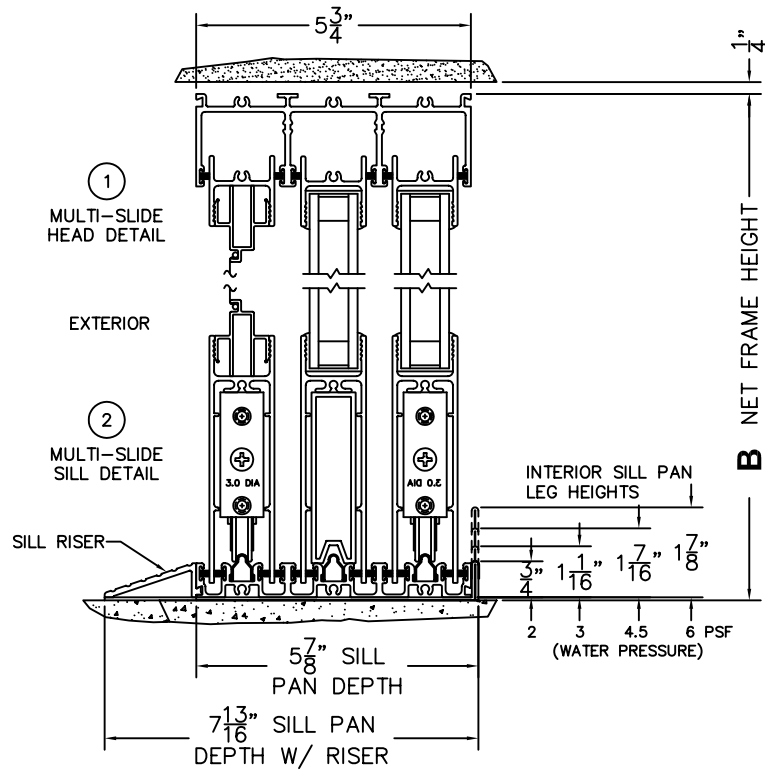
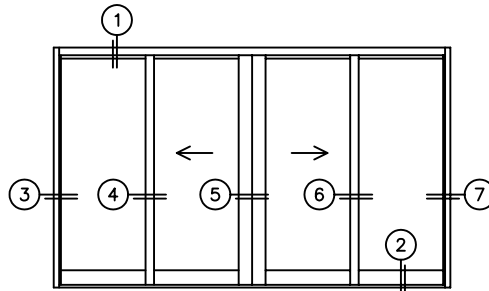
REQUIRED DEALER INFO.

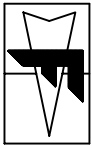
**A** (NET FRAME WIDTH)

**B** (NET FRAME HEIGHT)

SILL PAN HEIGHT (INTERIOR LEG)  
(3/4", 1-1/16", 1-7/16" OR 1-7/8")

NOTES:





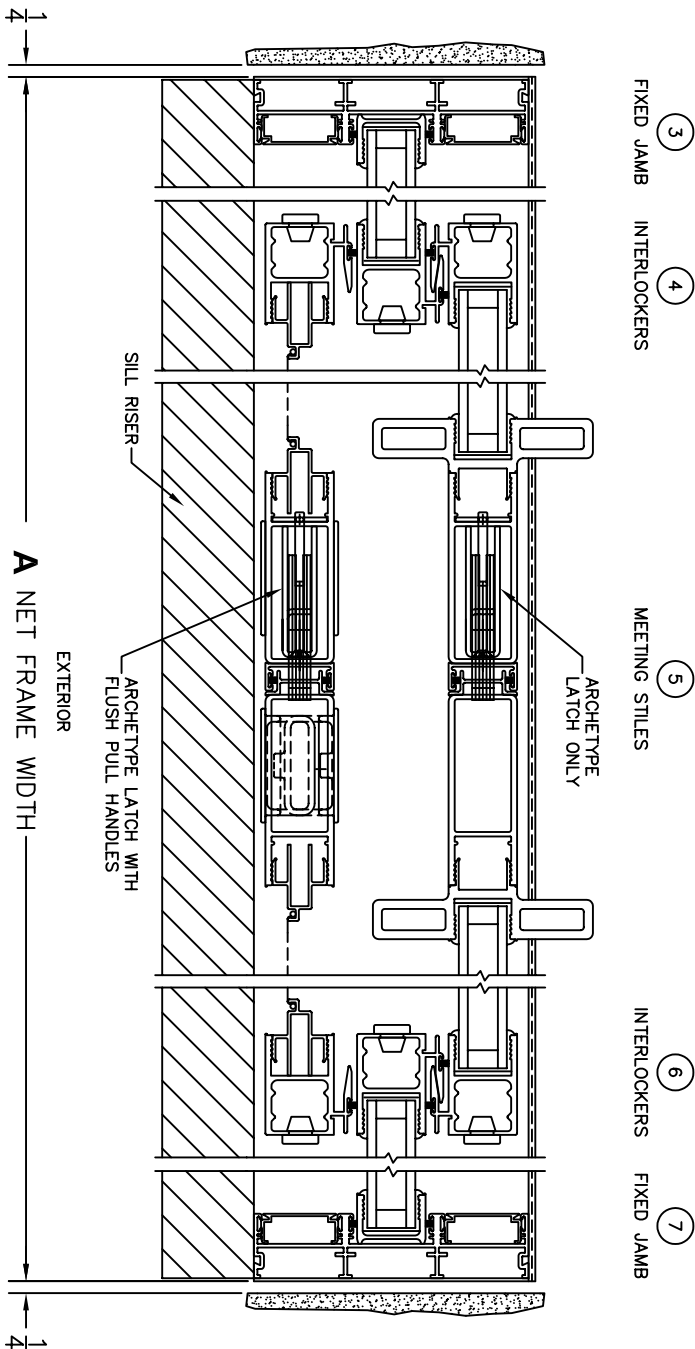
**FLEETWOOD**  
 WINDOWS & DOORS  
 FleetwoodUSA.com

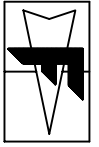
**NORWOOD 3070EX M/S**  
 OXIXO CUSTOM CONFIGURATION  
 WITH SCREENS

ORDER NO.:

ITEM NO.:

SCALE: 1/4





**FLEETWOOD**  
 WINDOWS & DOORS  
 FleetwoodUSA.com

**NORWOOD 3070EX M/S**  
 OXIXO CUSTOM CONFIGURATION  
 WITH SCREENS

ORDER NO.:

ITEM NO.:

SCALE: 1/4

DOOR SHOWN IN OPEN POSITION

