

**FLEETWOOD**  
WINDOWS & DOORS  
FleetwoodUSA.com

**NORWOOD 3070EX M/S**  
**OXIXO CUSTOM CONFIGURATION**  
**NO SCREENS**

ORDER NO.:

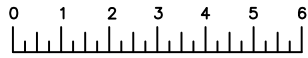
ITEM NO.:

REQUIRED DEALER INFO.

**A**(NET FRAME WIDTH)

**B**(NET FRAME HEIGHT)

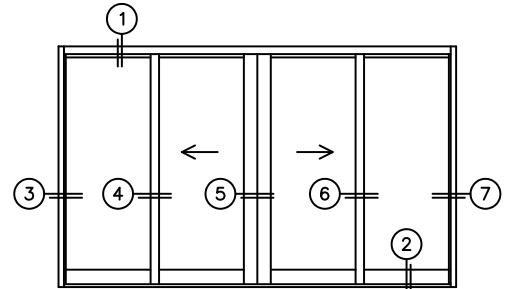
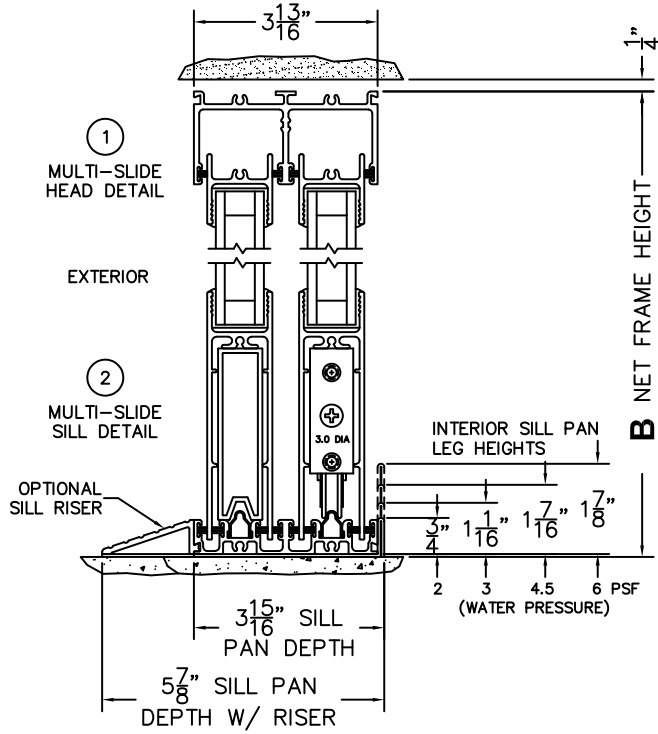
SILL PAN HEIGHT (INTERIOR LEG)  
(3/4", 1-1/16", 1-7/16" OR 1-7/8")



(USE RULER TO SCALE DIMENSIONS IN INCHES)

SCALE: 1/4

NOTES:



OXIXO DOOR SHOWN

③ FIXED JAMB    ④ INTERLOCKERS    ⑤ MEETING STILES    ⑥ INTERLOCKERS    ⑦ FIXED JAMB

