



FLEETWOOD
WINDOWS & DOORS
FleetwoodUSA.com

NORWOOD 3070EX M/S
OOXX CUSTOM CONFIGURATION
NO SCREENS

ORDER NO.:

ITEM NO.:

REQUIRED DEALER INFO.

A(NET FRAME WIDTH)

B(NET FRAME HEIGHT)

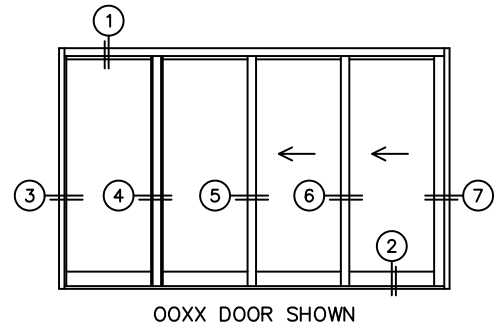
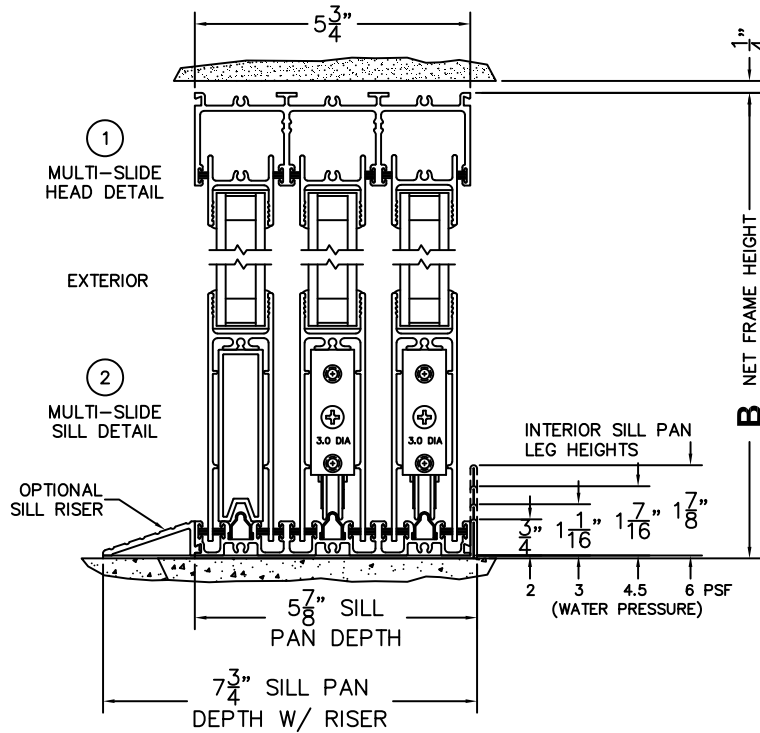
SILL PAN HEIGHT (INTERIOR LEG)
(3/4", 1-1/16", 1-7/16" OR 1-7/8")

NOTES:



(USE RULER TO SCALE DIMENSIONS IN INCHES)

SCALE: 1/4



- (3)
FIXED JAMB
- (4)
T-MULLION
- (5)
INTERLOCKERS
- (6)
INTERLOCKERS
- (7)
LOCK JAMB

C-PULL HANDLES
WITH THUMB TURN, EXTERIOR
CYLINDERS AND SECURITY LATCH

