

**FLEETWOOD**  
WINDOWS & DOORS  
FleetwoodUSA.com

# NORWOOD 3070EX M/S

000X CUSTOM CONFIGURATION  
WITH SCREENS

ORDER NO.:

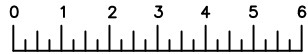
ITEM NO.:

REQUIRED DEALER INFO.

**A** (NET FRAME WIDTH)

**B** (NET FRAME HEIGHT)

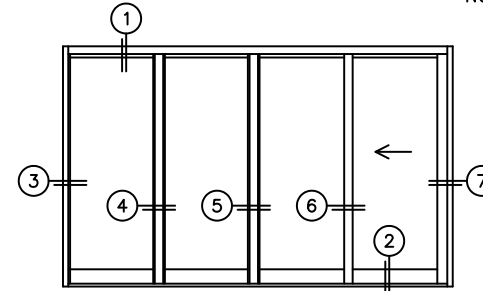
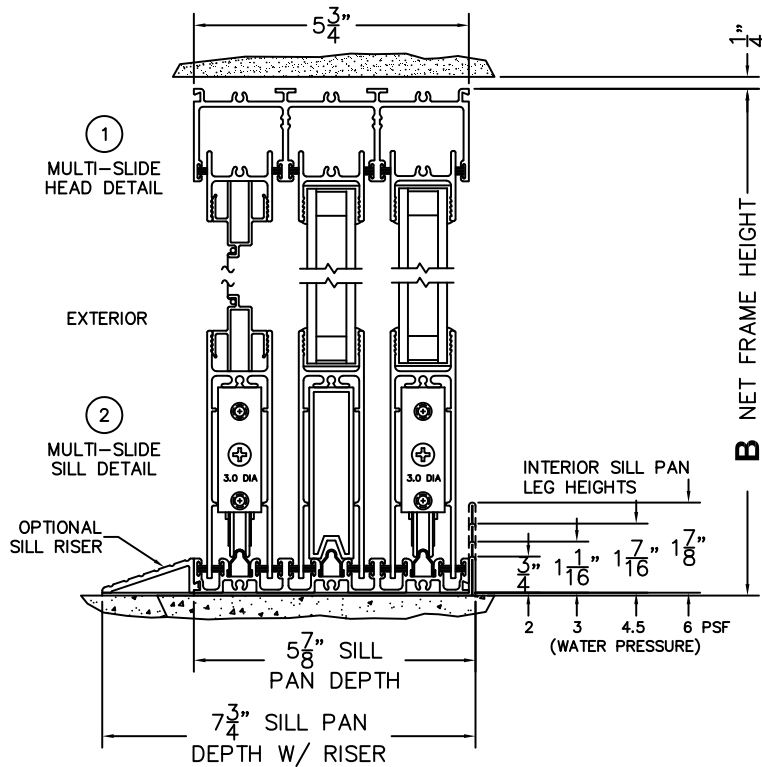
SILL PAN HEIGHT (INTERIOR LEG)  
(3/4", 1-1/16", 1-7/16" OR 1-7/8")



(USE RULER TO SCALE DIMENSIONS IN INCHES)

SCALE: 1/4

NOTES:



000X DOOR SHOWN

- ③  
FIXED JAMB
- ④  
T-MULLION
- ⑤  
T-MULLION
- ⑥  
INTERLOCKERS
- ⑦  
LOCK JAMB

