



**FLEETWOOD**  
WINDOWS & DOORS  
FleetwoodUSA.com

**NORWOOD 3070EX M/S**  
**90°XXXXIXP CUSTOM CONFIG.**  
**NO SCREENS**

ORDER NO.:

ITEM NO.:

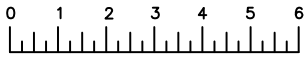
REQUIRED DEALER INFO.

<b>A</b> (NET FRAME WIDTH)	
<b>B</b> (DAYLIGHT WIDTH)	
<b>C</b> (NET FRAME HEIGHT)	
SILL PAN HEIGHT(INTERIOR LEG)	
(3/4", 1-1/16", 1-7/16" OR 1-7/8")	

CALCULATED VALUES (FLEETWOOD SUPPLIED)

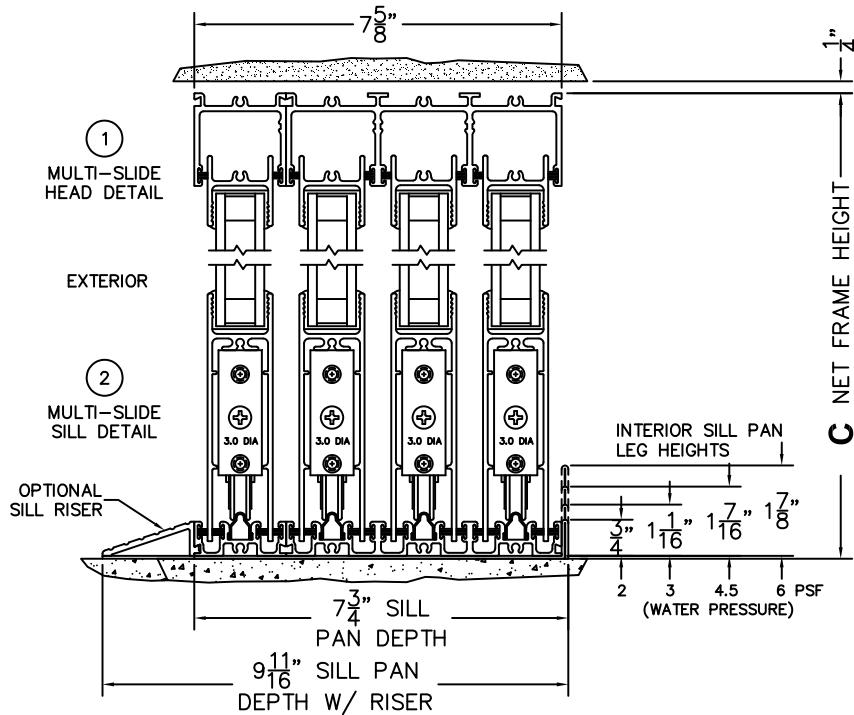
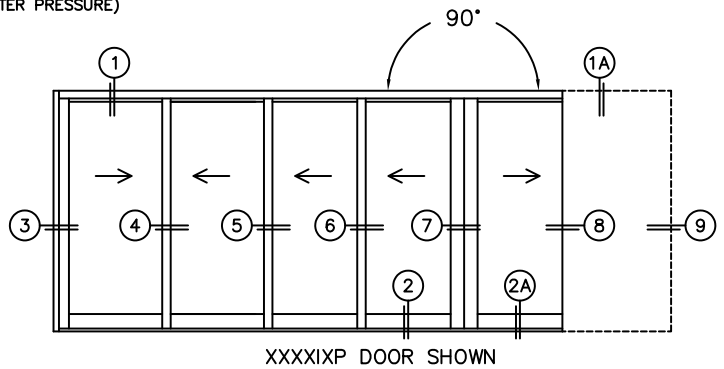
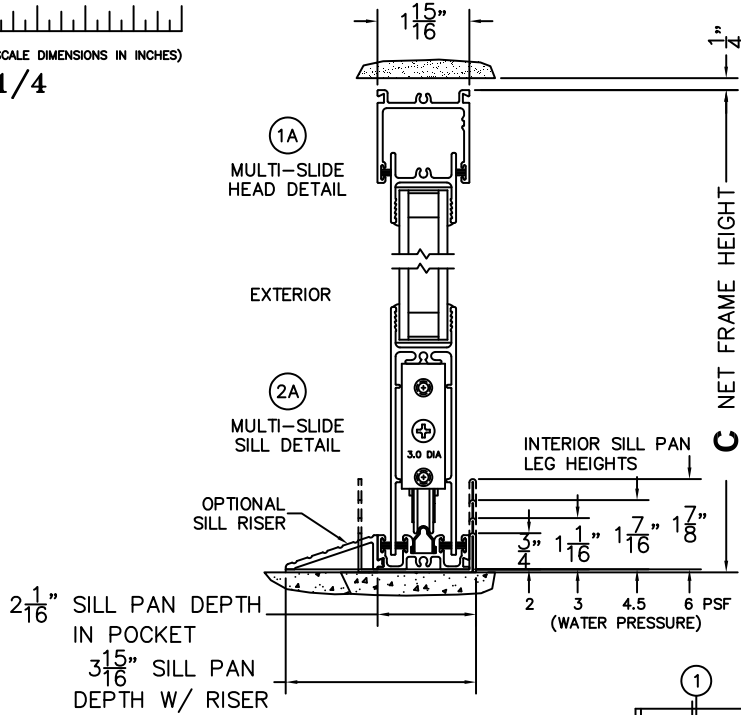
<b>D</b> (POCKET WIDTH)	
<b>E</b> (NET FRAME WIDTH)	

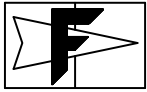
NOTES:



(USE RULER TO SCALE DIMENSIONS IN INCHES)

SCALE: 1/4



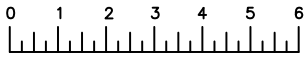


**FLEETWOOD**  
WINDOWS & DOORS  
FleetwoodUSA.com

**NORWOOD 3070EX M/S**  
**90°XXXXIXP CUSTOM CONFIG.**  
**NO SCREENS**

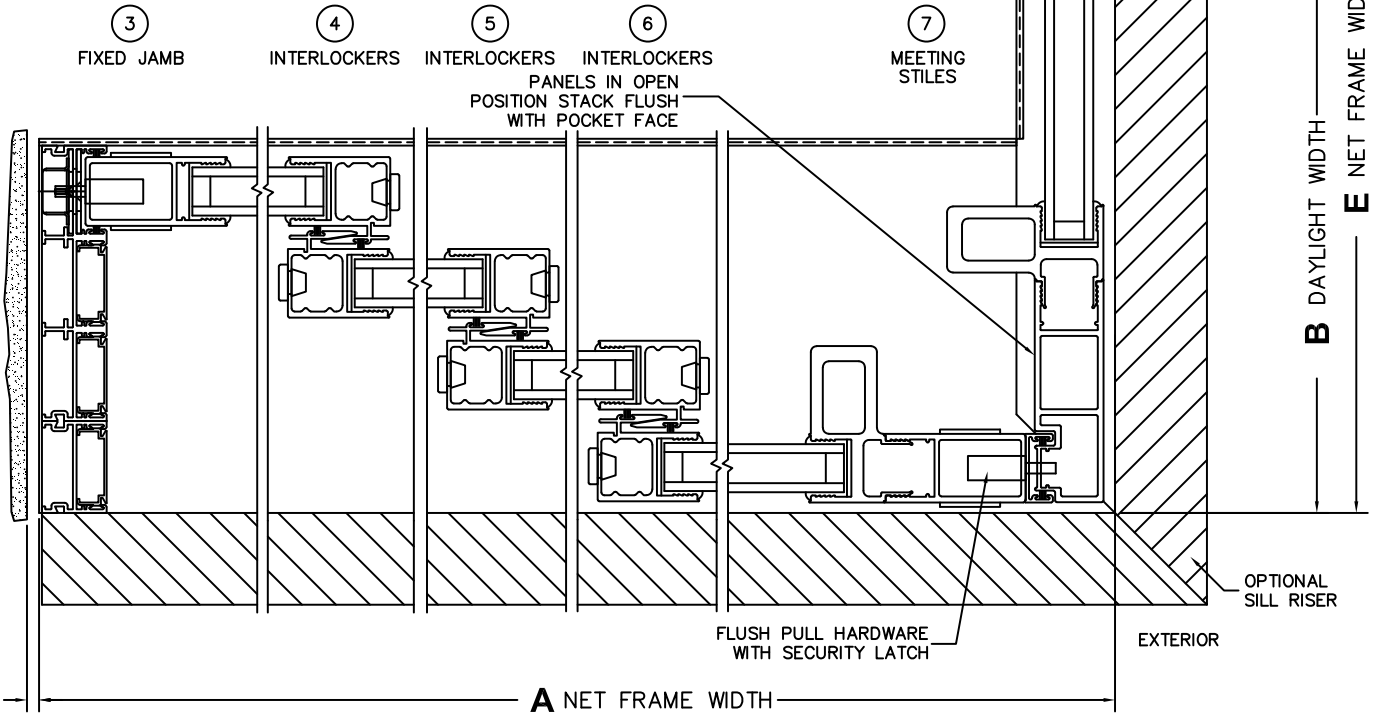
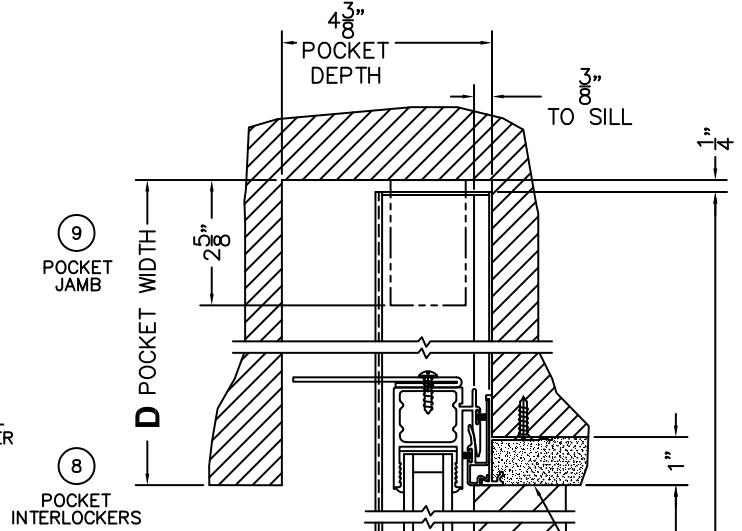
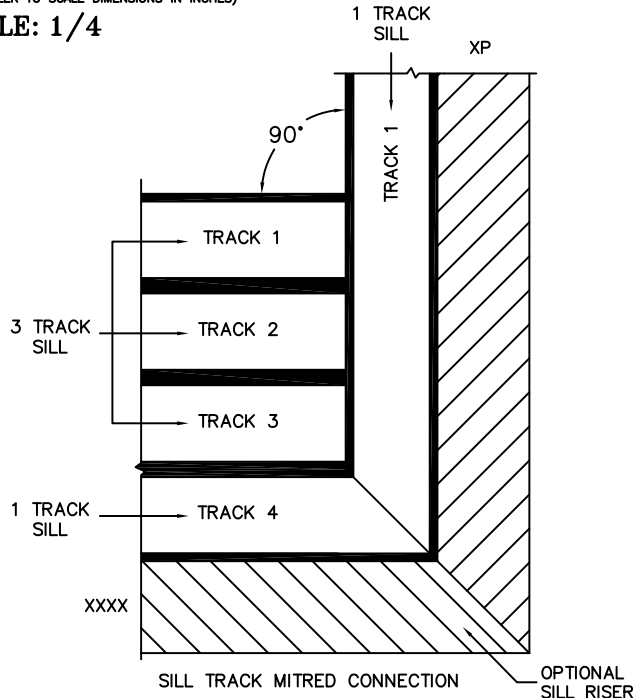
ORDER NO.:

ITEM NO.:



(USE RULER TO SCALE DIMENSIONS IN INCHES)

SCALE: 1/4"



\*CAUTION: WHEN CONSTRUCTING POCKET NOTE THAT DAYLIGHT WIDTH DOES NOT INCLUDE 1" SET BACK FOR POST INTERLOCKER.