



FLEETWOOD
WINDOWS & DOORS
FleetwoodUSA.com

NORWOOD 3070EX M/S
90°XXXIXXP CUSTOM CONFIGURATION
NO SCREENS

ORDER NO.:

ITEM NO.:

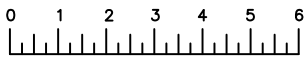
REQUIRED DEALER INFO.

A (NET FRAME WIDTH)	
B (DAYLIGHT WIDTH)	
C (NET FRAME HEIGHT)	
SILL PAN HEIGHT(INTERIOR LEG)	
	(3/4", 1-1/16", 1-7/16" OR 1-7/8")

CALCULATED VALUES (FLEETWOOD SUPPLIED)

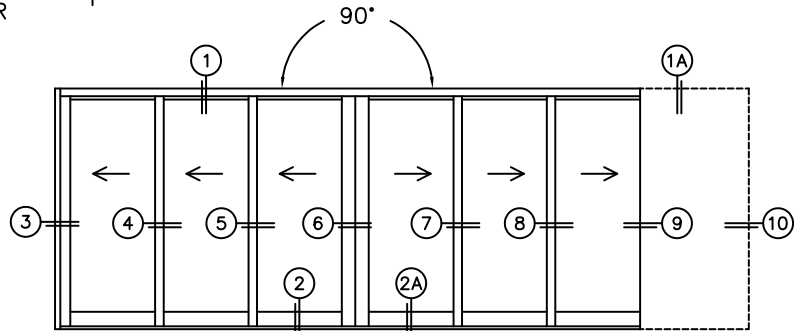
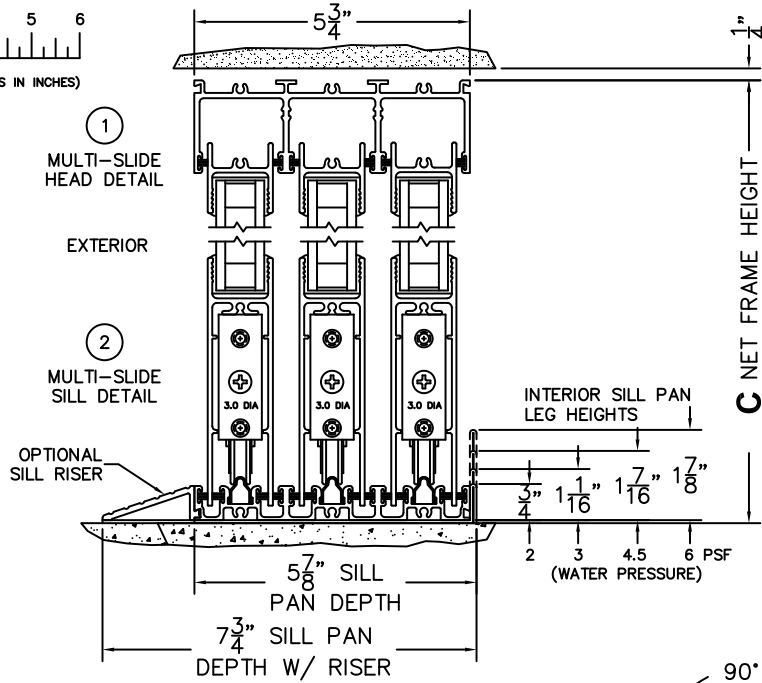
D (POCKET WIDTH)	
E (NET FRAME WIDTH)	

NOTES:

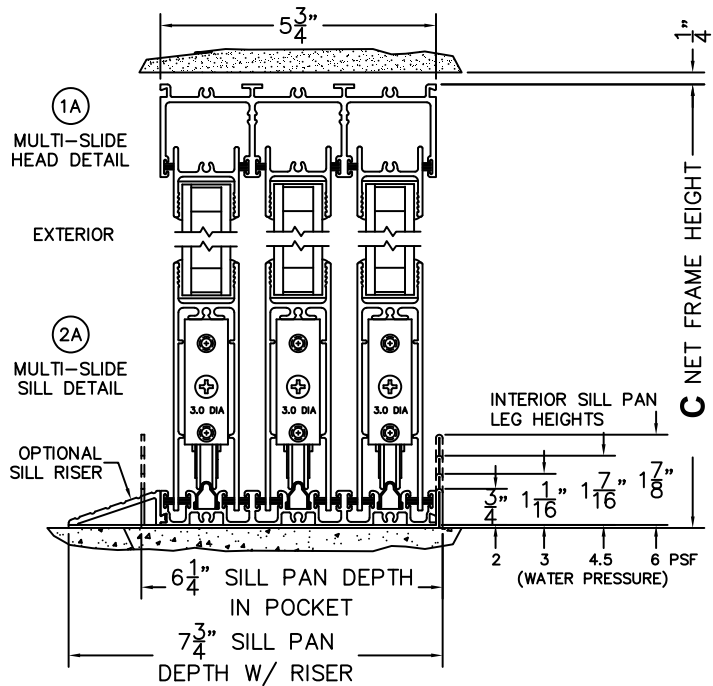


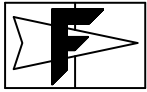
(USE RULER TO SCALE DIMENSIONS IN INCHES)

SCALE: 1/4



XXXIXXP DOOR SHOWN



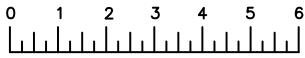


FLEETWOOD
WINDOWS & DOORS
FleetwoodUSA.com

NORWOOD 3070EX M/S
90°XXXIXXP CUSTOM CONFIGURATION
NO SCREENS

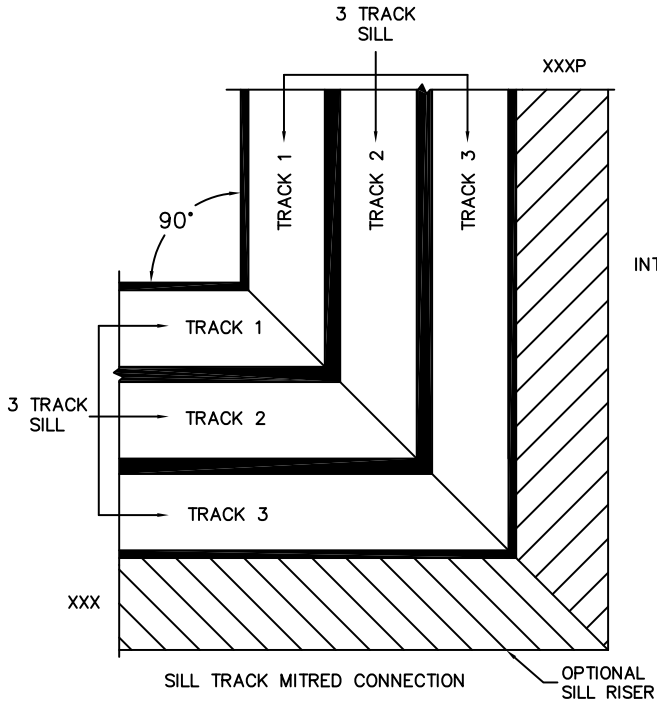
ORDER NO.:

ITEM NO.:



(USE RULER TO SCALE DIMENSIONS IN INCHES)

SCALE: 1/4



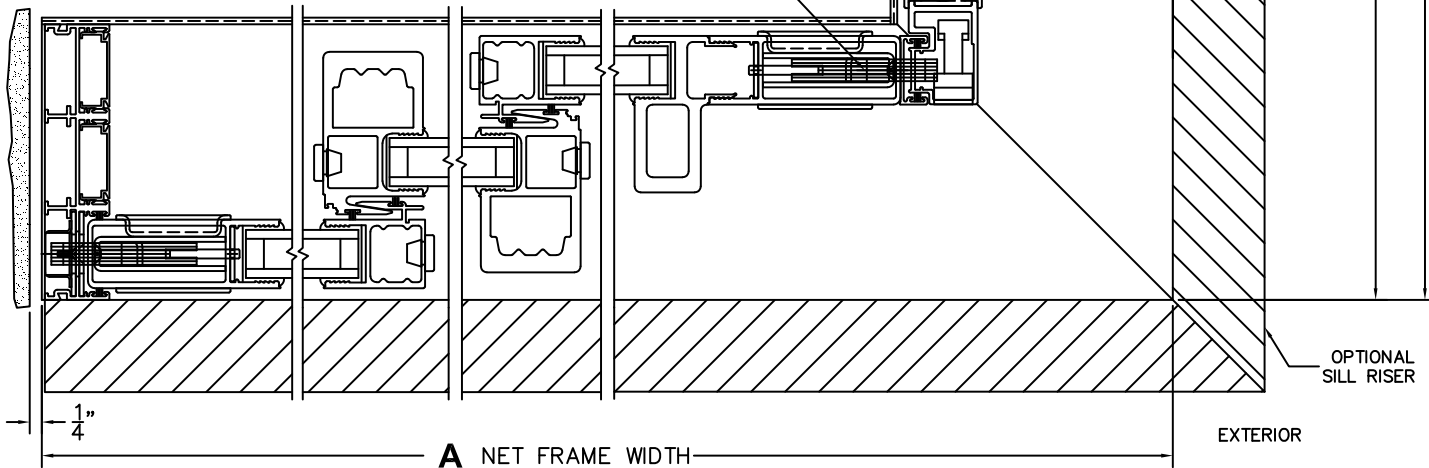
- ⑩ POCKET JAMB
- ⑨ POCKET INTERLOCKERS

- PANELS IN OPEN POSITION STACK FLUSH WITH POCKET FACE
- ⑧ INTERLOCKERS
- ⑦ INTERLOCKERS

- ⑥ MEETING STILES

- ③ LOCK JAMB
- ④ INTERLOCKERS
- ⑤ INTERLOCKERS

ARCHETYPE LATCH WITH FLUSH PULL HANDLES



*CAUTION: WHEN CONSTRUCTING POCKET NOTE THAT DAYLIGHT WIDTH DOES NOT INCLUDE 1" SET BACK FOR POST INTERLOCKER.