



**FLEETWOOD**  
WINDOWS & DOORS  
FleetwoodUSA.com

**NORWOOD 3070EX M/S**  
90XXXIXXX STANDARD CONFIGURATION  
NO SCREENS

ORDER NO.: -

ITEM NO.:

REQUIRED DEALER INFO.

**A**(NET FRAME WIDTH)

**B**(NET FRAME WIDTH)

**C**(NET FRAME HEIGHT)

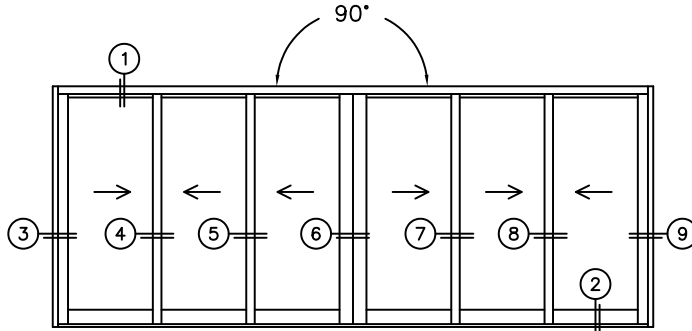
SILL PAN HEIGHT(INTERIOR LEG)  
(3/4", 1-1/16", 1-7/16" OR 1-7/8")

NOTES:

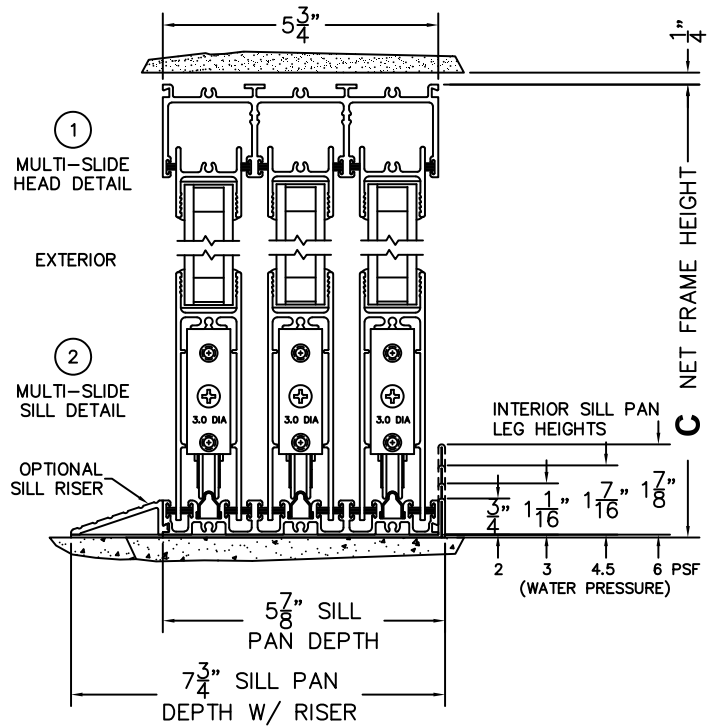


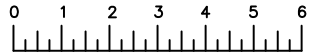
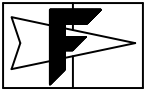
(USE RULER TO SCALE DIMENSIONS IN INCHES)

SCALE: 1/4



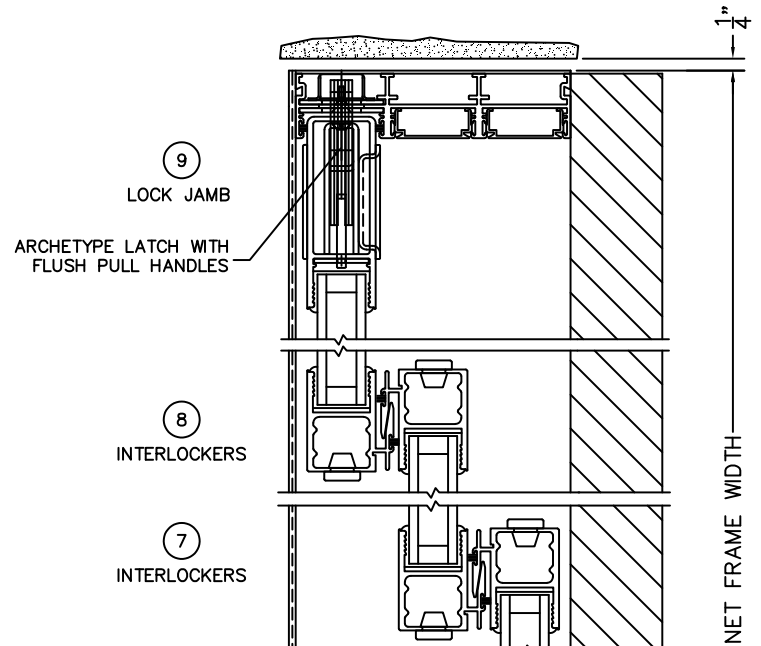
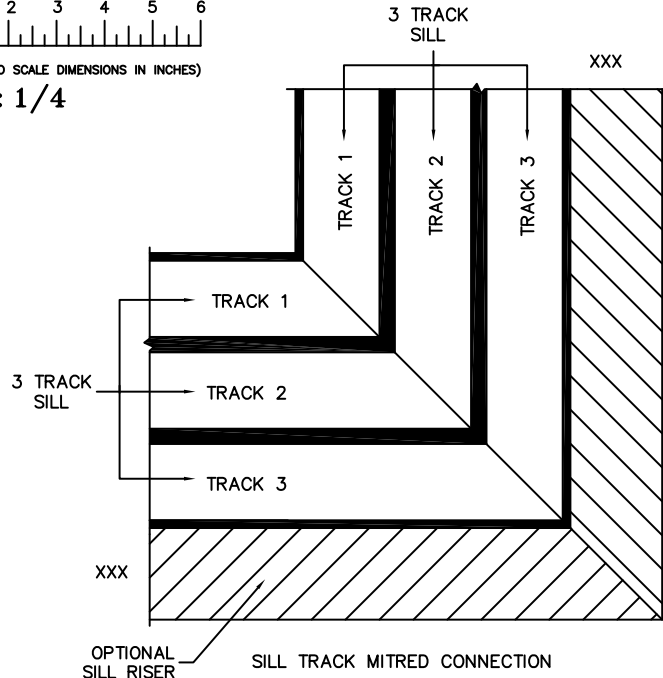
XXXIXXX DOOR SHOWN





(USE RULER TO SCALE DIMENSIONS IN INCHES)

SCALE: 1/4



- ③ LOCK JAMB
- ④ INTERLOCKERS
- ⑤ INTERLOCKERS
- ⑥ MEETING STILES

