



FLEETWOOD
WINDOWS & DOORS
FleetwoodUSA.com

NORWOOD 3070EX M/S
90XXXIXXP CUSTOM CONFIGURATION
NO SCREENS

ORDER NO.:

ITEM NO.:

REQUIRED DEALER INFO.

A (NET FRAME WIDTH)	
B (DAYLIGHT WIDTH)	
C (NET FRAME HEIGHT)	
SILL PAN HEIGHT(INTERIOR LEG)	(3/4", 1-1/16", 1-7/16" OR 1-7/8")

CALCULATED VALUES (FLEETWOOD SUPPLIED)

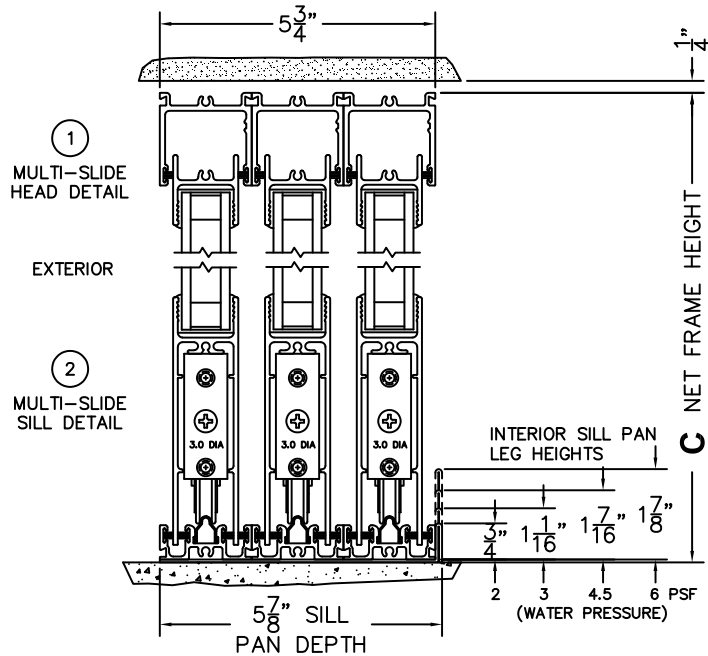
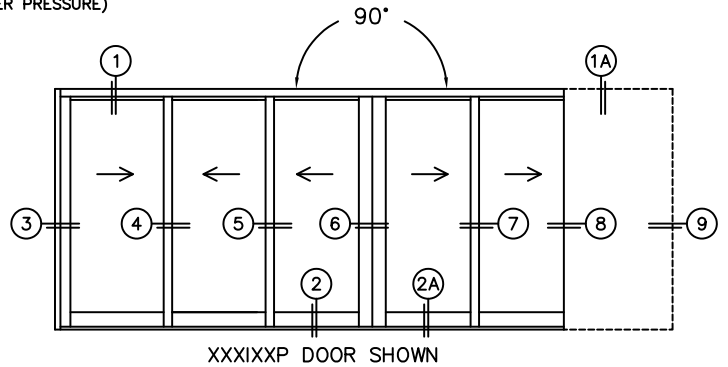
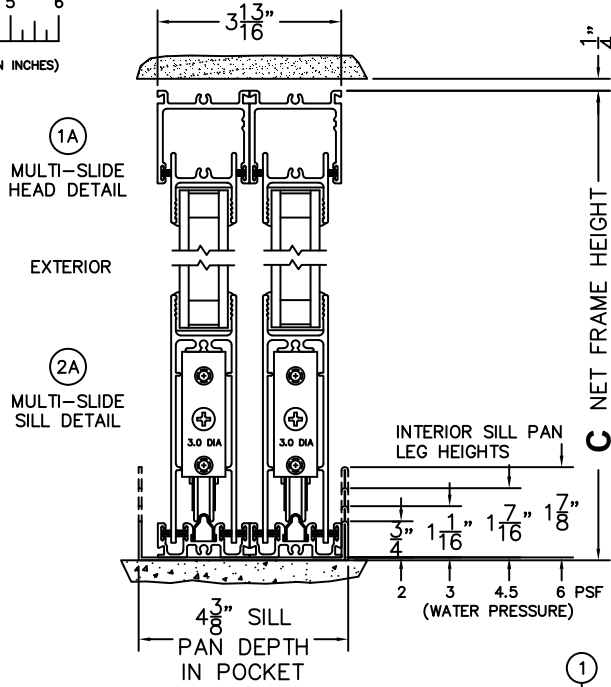
D (POCKET WIDTH)	
E (NET FRAME WIDTH)	

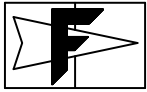
NOTES:



(USE RULER TO SCALE DIMENSIONS IN INCHES)

SCALE: 1/4





FLEETWOOD
WINDOWS & DOORS
FleetwoodUSA.com

NORWOOD 3070EX M/S
90XXXIXXP CUSTOM CONFIGURATION
NO SCREENS

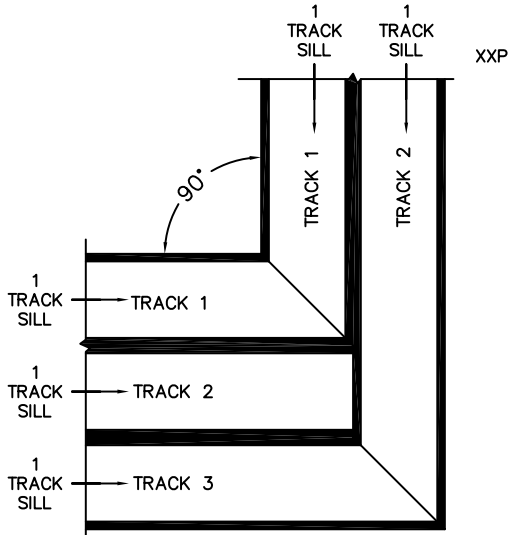
ORDER NO.:

ITEM NO.:



(USE RULER TO SCALE DIMENSIONS IN INCHES)

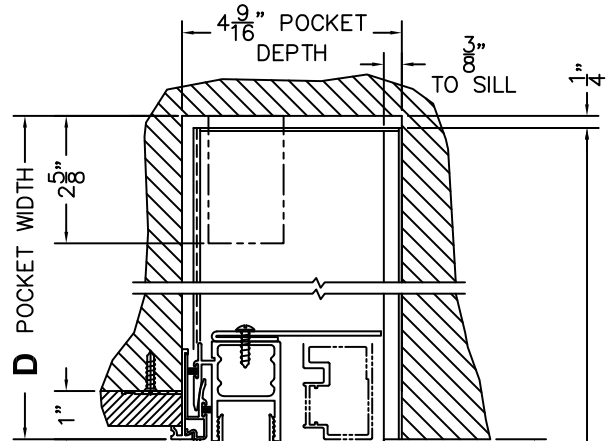
SCALE: 1/4"



XXX SILL TRACK MITRED CONNECTION

9 POCKET JAMB

8 POCKET INTERLOCKERS



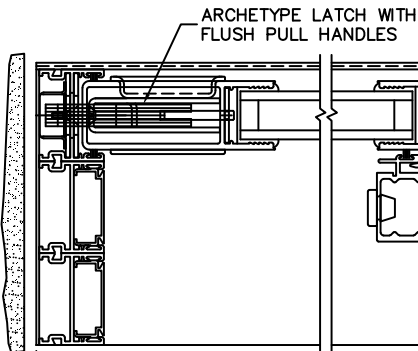
7 INTERLOCKERS

3 LOCK JAMB

4 INTERLOCKERS

5 INTERLOCKERS

6 MEETING STILES



ARCHETYPE LATCH WITH FLUSH PULL HANDLES

B DAYLIGHT WIDTH
E NET FRAME WIDTH

1/4" A NET FRAME WIDTH