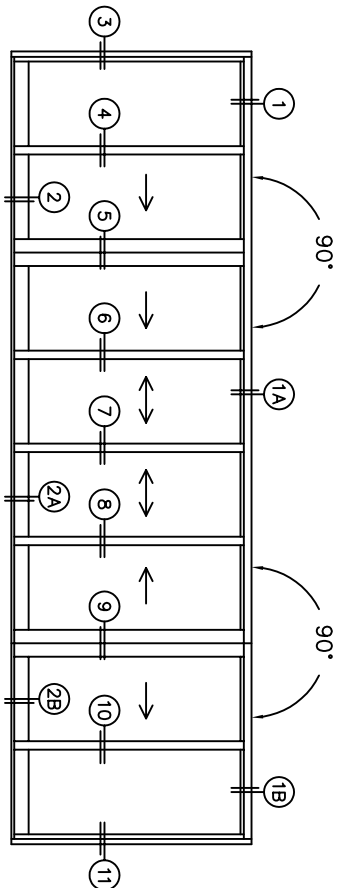


FLEETWOOD
WINDOWS & DOORS
FleetwoodUSA.com

NORWOOD 3070EX M/S
90°U-0XXXXXXXXXO STANDARD CONFIGURATION
NO SCREENS

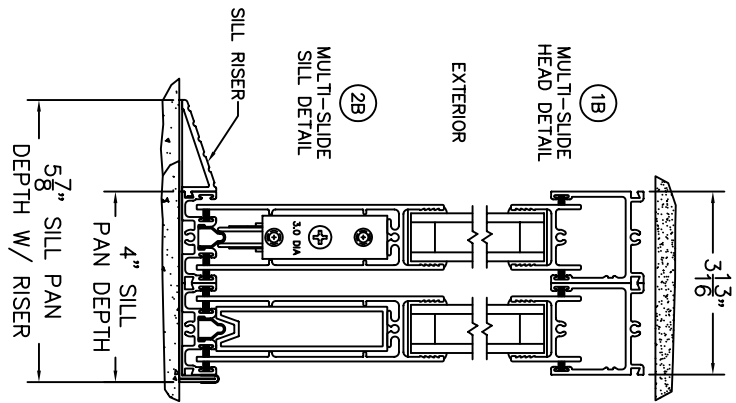
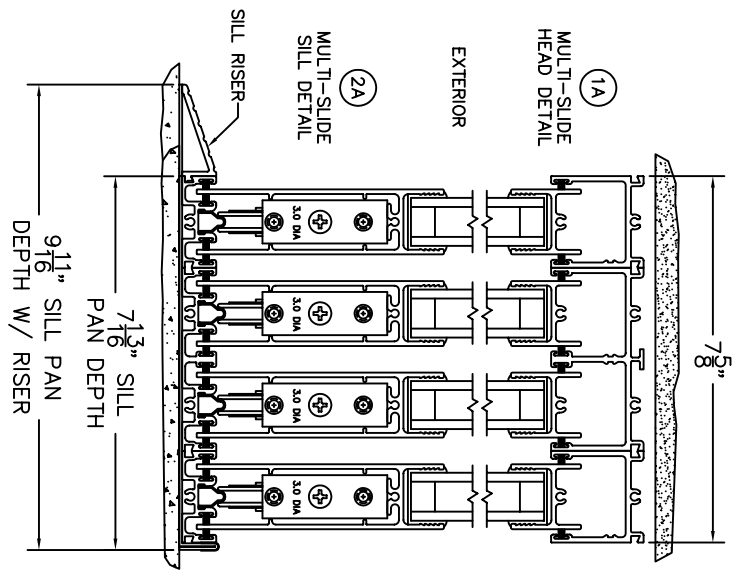
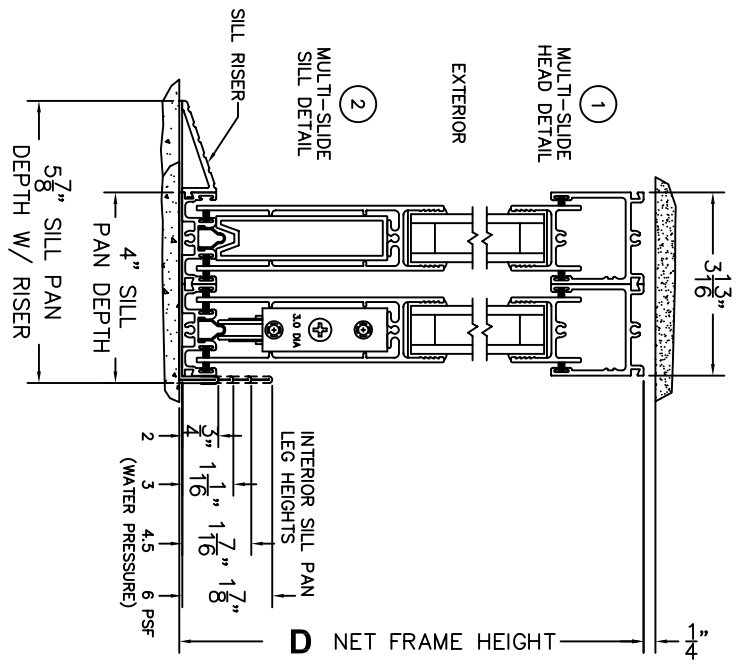
SCALE: 1/4

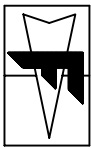


0XXXXXXXXXO DOOR SHOWN

ORDER NO.:	
ITEM NO.:	
REQUIRED DEALER INFO.	
A (NET FRAME WIDTH)	
B (NET FRAME WIDTH)	
C (NET FRAME WIDTH)	
D (NET FRAME HEIGHT)	
SILL PAN HEIGHT (INTERIOR LEG) (3/4", -1-1/16", -1-7/16" OR 1-7/8")	

NOTES:





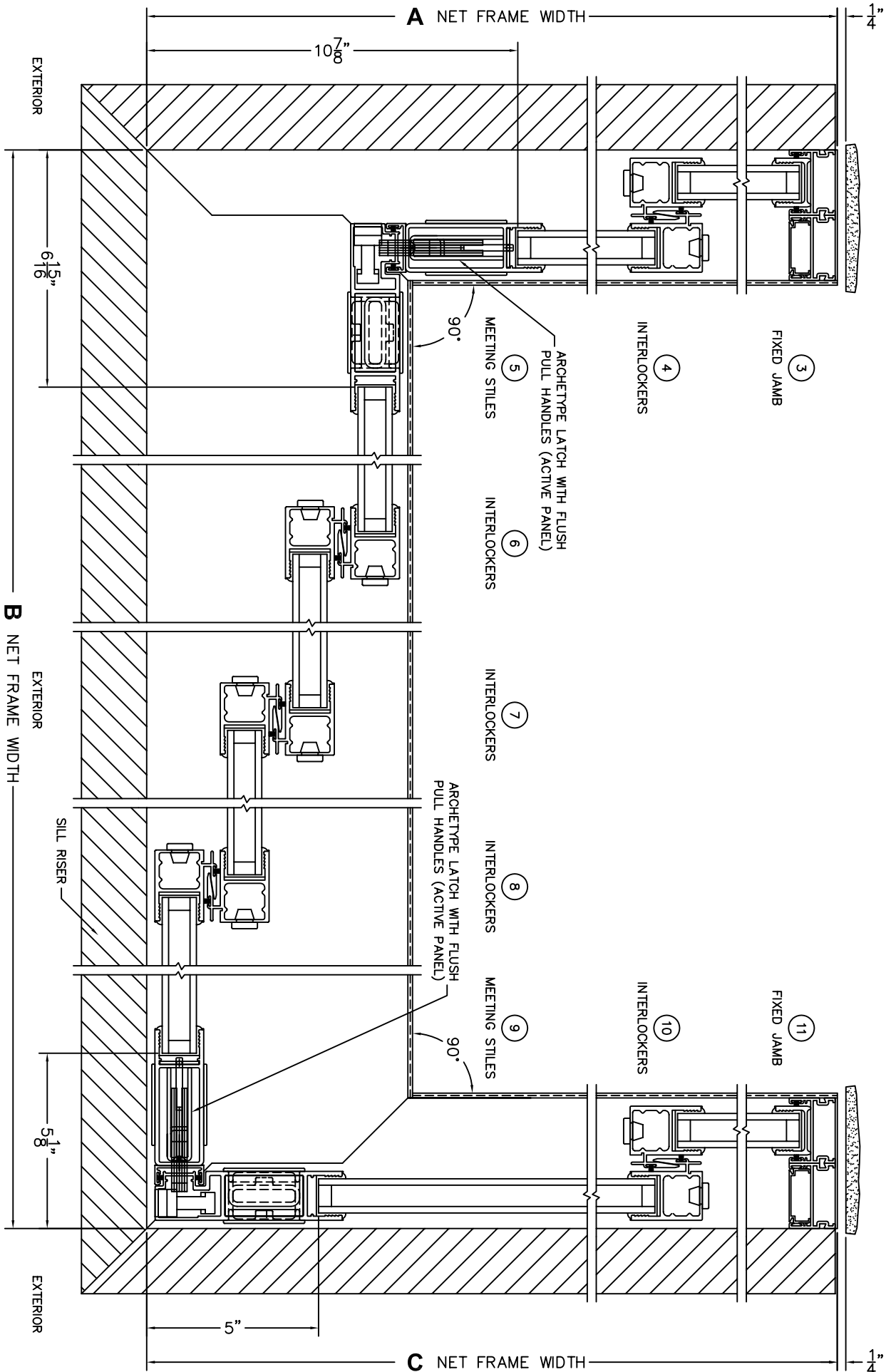
FLEETWOOD
WINDOWS & DOORS
FleetwoodUSA.com

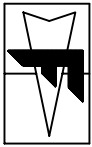
NORWOOD 3070EX M/S
90°U-0XXXXXXIXO STANDARD CONFIGURATION
NO SCREENS

ORDER NO.:

ITEM NO.:

SCALE: 1/4





FLEETWOOD
 WINDOWS & DOORS
 FleetwoodUSA.com

NORWOOD 3070EX M/S
 90°U-0XXXXXXXXX0 STANDARD CONFIGURATION
 NO SCREENS

ORDER NO.:

ITEM NO.:

SCALE: 1/4

