

FLEETWOOD
WINDOWS & DOORS
FleetwoodUSA.com

NORWOOD 3070EX M/S
90°PXXXXIXXP CUSTOM CONFIGURATION
NO SCREENS

ORDER NO.:

ITEM NO.:

SCALE: 1/4

DOOR COLLECTOR B.O.M.

FW PART NO.	QTY.
1063-1	5
1064-2	5
SCREW SIZES / LENGTHS	
#4-40 X 5/16"	10
#10-32 X 1-1/8"	10

REQUIRED DEALER INFO.

A(DAYLIGHT WIDTH)

B(DAYLIGHT WIDTH)

C(NET FRAME HEIGHT)

SILL PAN HEIGHT(INTERIOR LEG)
(3/4", 1-1/16", 1-7/16" OR 1-7/8")

CALCULATED VALUES (FLEETWOOD SUPPLIED)

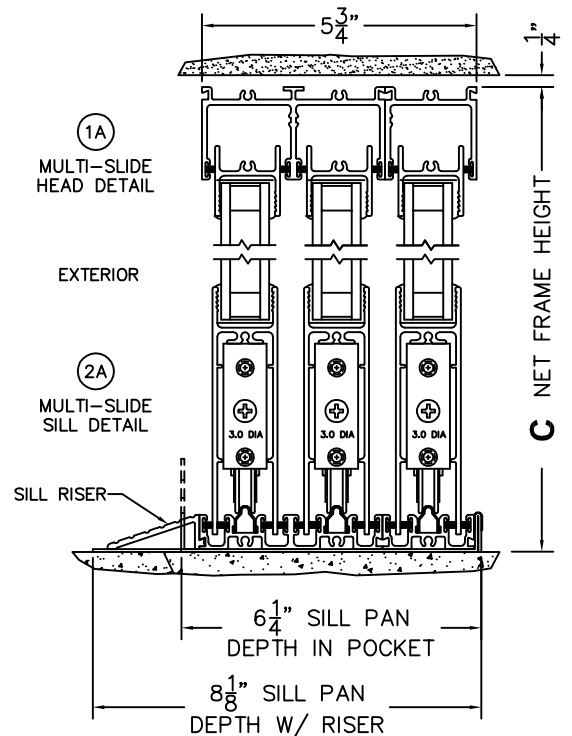
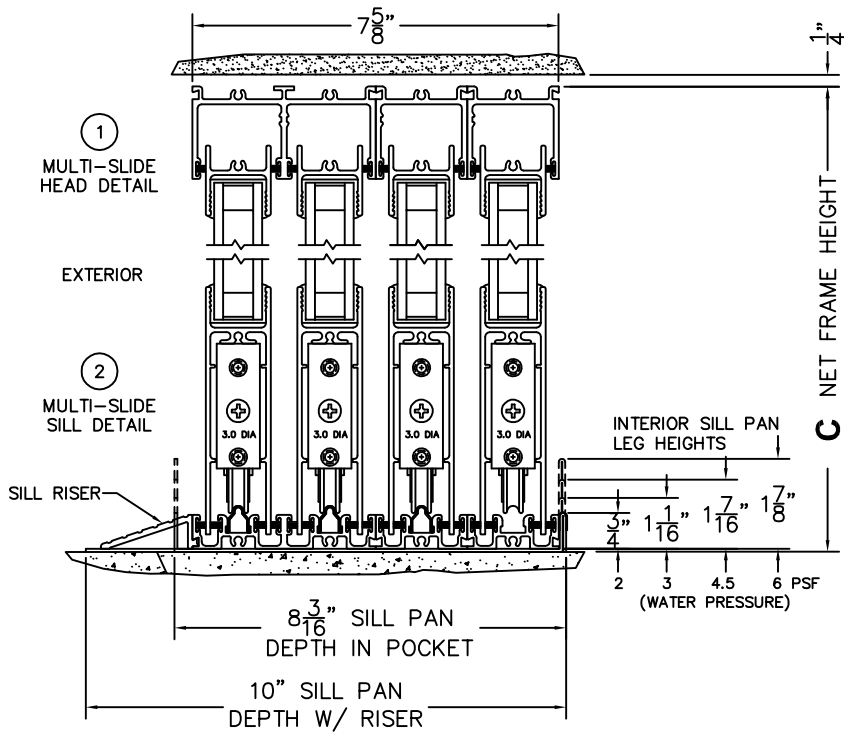
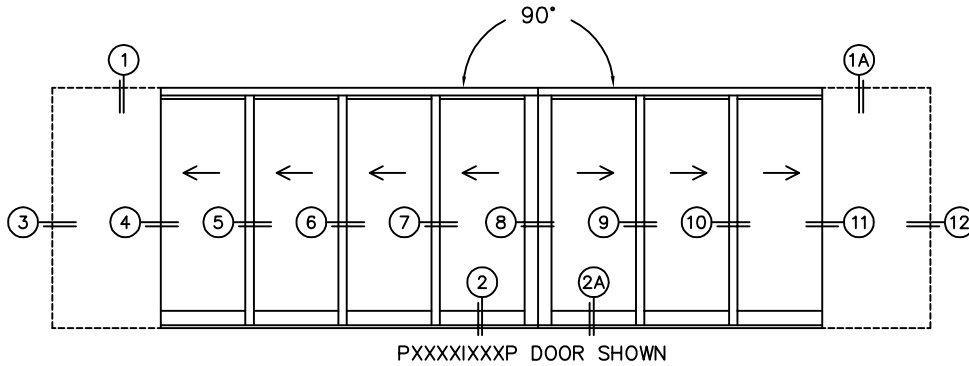
D(POCKET WIDTH)

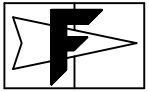
E(NET FRAME WIDTH)

F(POCKET WIDTH)

G(NET FRAME WIDTH)

NOTES:





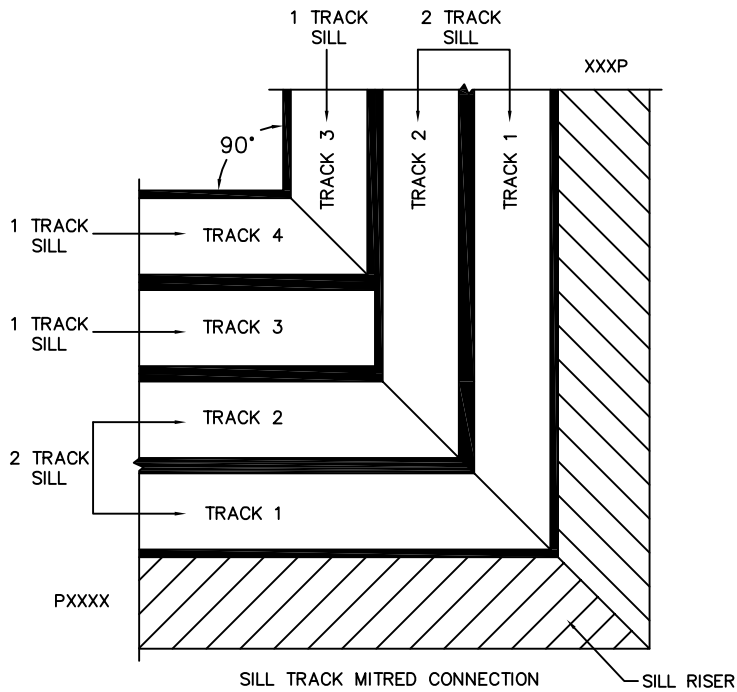
FLEETWOOD
WINDOWS & DOORS
FleetwoodUSA.com

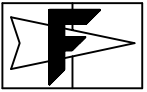
NORWOOD 3070EX M/S
90°PXXXXIXXP CUSTOM CONFIGURATION
NO SCREENS

ORDER NO.:

ITEM NO.:

SCALE: 1/4





FLEETWOOD
WINDOWS & DOORS
FleetwoodUSA.com

NORWOOD 3070EX M/S
90°PXXXXIXXP CUSTOM CONFIGURATION
NO SCREENS

ORDER NO.:

ITEM NO.:

SCALE: 1/8

POCKET VIEWS:
PANELS IN OPEN POSITION

