



FLEETWOOD
WINDOWS & DOORS
FleetwoodUSA.com

NORWOOD 3070EX M/S
90°PXXXIXXP CUSTOM CONFIG.
WITH SCREENS

ORDER NO.:

ITEM NO.:

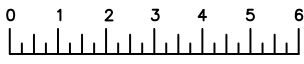
REQUIRED DEALER INFO.

| | |
|---|--|
| A (DAYLIGHT WIDTH) | |
| B (DAYLIGHT WIDTH) | |
| C (NET FRAME HEIGHT) | |
| SILL PAN HEIGHT(INTERIOR LEG) (3/4", 1-1/16", 1-7/16" OR 1-7/8") | |

CALCULATED VALUES (FLEETWOOD SUPPLIED)

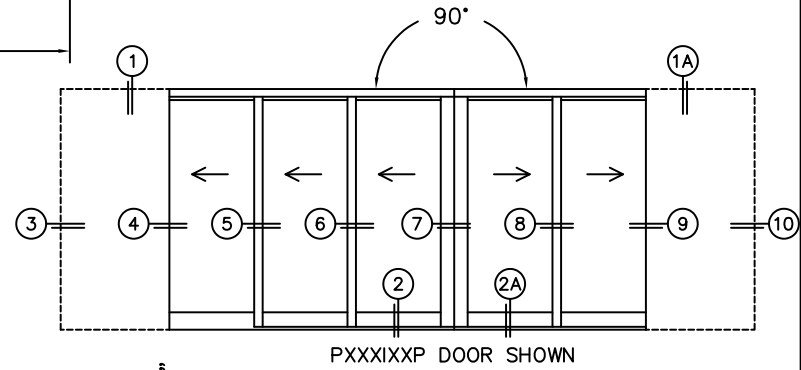
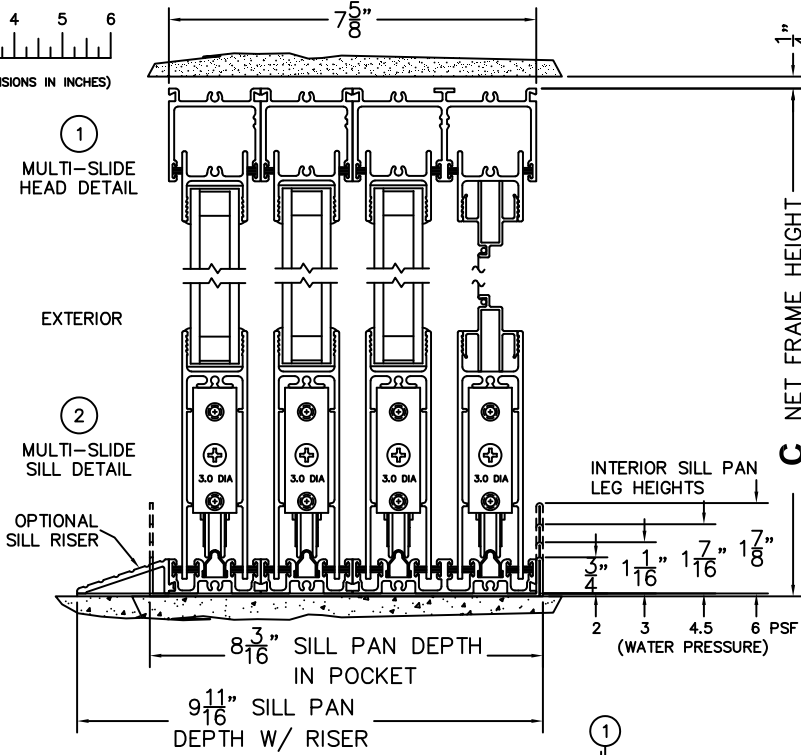
| | |
|----------------------------|--|
| D (POCKET WIDTH) | |
| E (NET FRAME WIDTH) | |
| F (POCKET WIDTH) | |
| G (NET FRAME WIDTH) | |

NOTES:

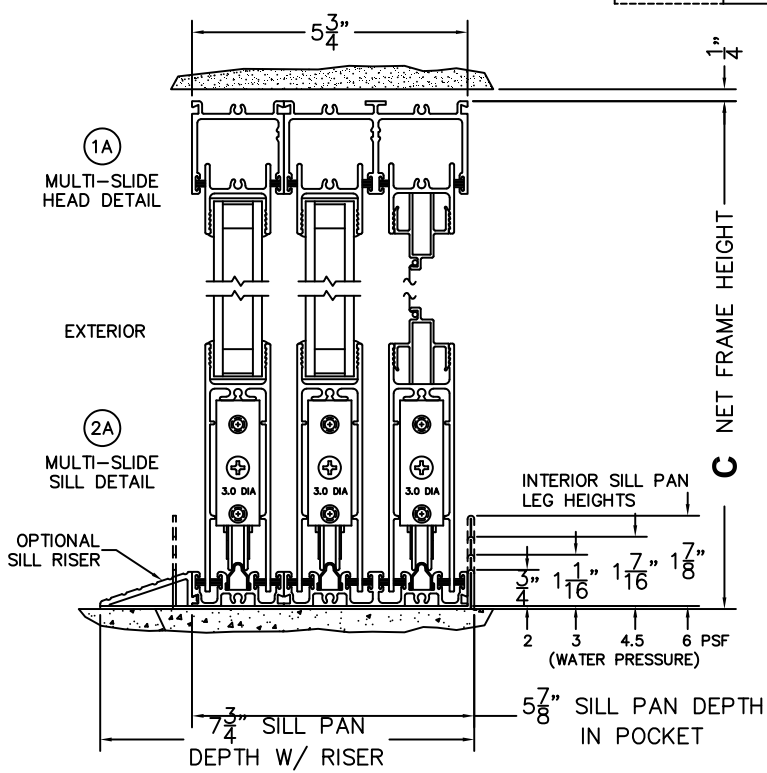


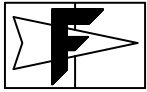
(USE RULER TO SCALE DIMENSIONS IN INCHES)

SCALE: 1/4



PXXXIXXP DOOR SHOWN





FLEETWOOD
WINDOWS & DOORS
FleetwoodUSA.com

NORWOOD 3070EX M/S
90°PXXXIXXP CUSTOM CONFIG.
WITH SCREENS

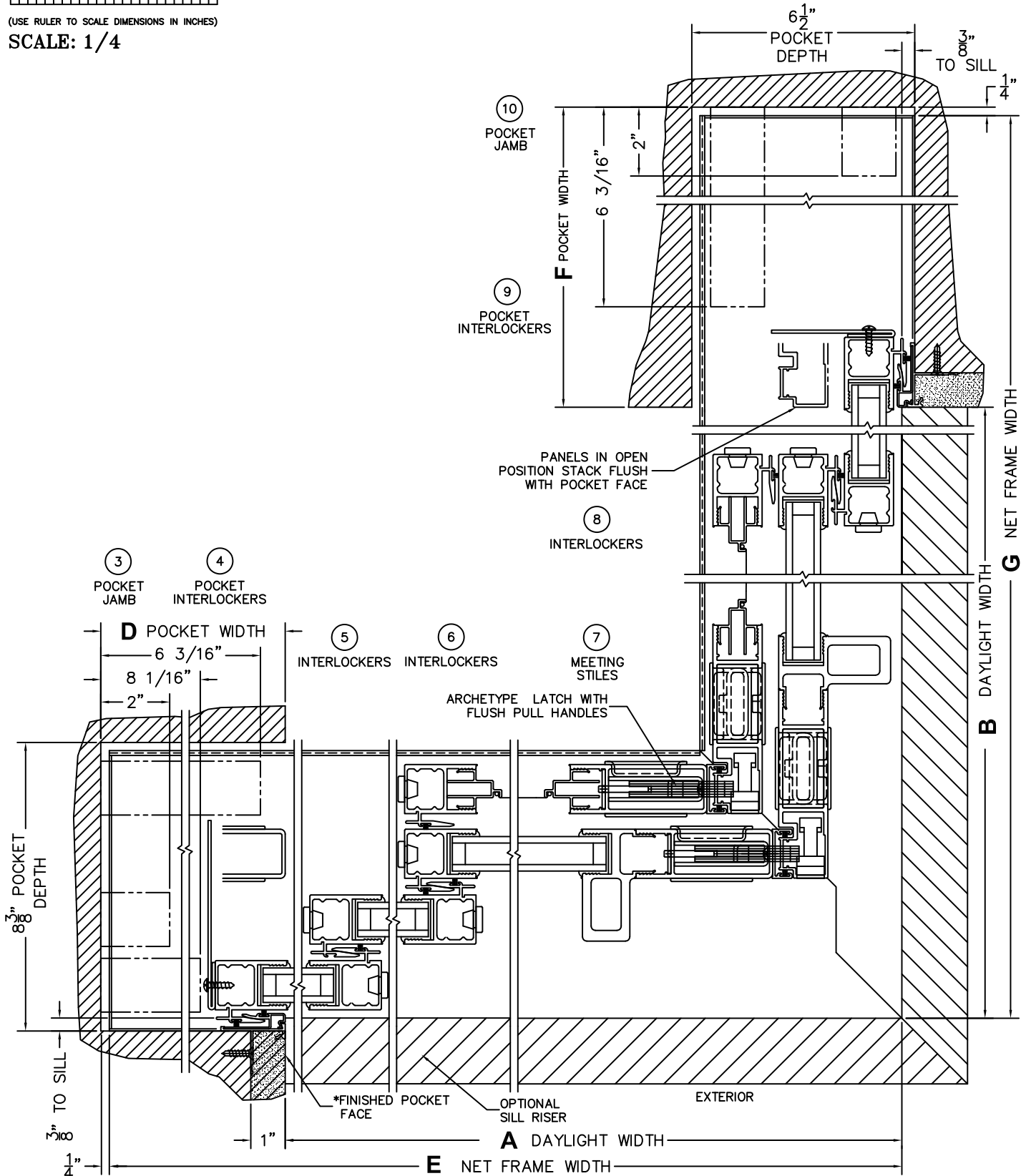
ORDER NO.:

ITEM NO.:



(USE RULER TO SCALE DIMENSIONS IN INCHES)

SCALE: 1/4



*CAUTION: WHEN CONSTRUCTING POCKET NOTE THAT DAYLIGHT WIDTH DOES NOT INCLUDE 1" SET BACK FOR POST INTERLOCKER.



FLEETWOOD
WINDOWS & DOORS
FleetwoodUSA.com

NORWOOD 3070EX M/S
90°PXXXIXXP CUSTOM CONFIG.
WITH SCREENS

ORDER NO.:

ITEM NO.:



(USE RULER TO SCALE DIMENSIONS IN INCHES)

SCALE: 1/4

