

FLEETWOOD
WINDOWS & DOORS
FleetwoodUSA.com

NORWOOD 3070EX M/S
90°PXXX-XXP STANDARD CONFIG.
NO SCREENS

ORDER NO.:

ITEM NO.:

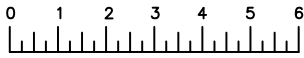
REQUIRED DEALER INFO.

| | |
|-------------------------------|------------------------------------|
| A (DAYLIGHT WIDTH) | |
| B (DAYLIGHT WIDTH) | |
| C (NET FRAME HEIGHT) | |
| SILL PAN HEIGHT(INTERIOR LEG) | (3/4", 1-1/16", 1-7/16" OR 1-7/8") |

CALCULATED VALUES (FLEETWOOD SUPPLIED)

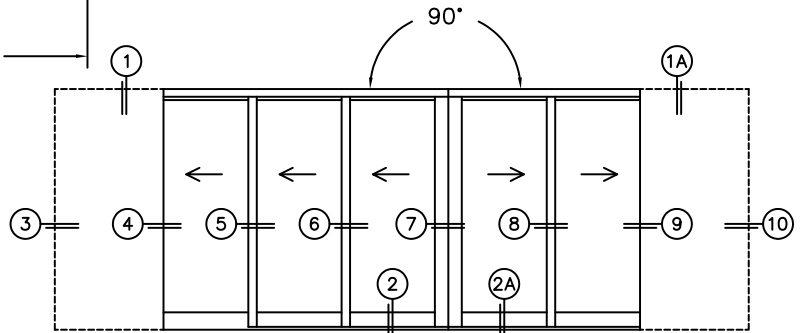
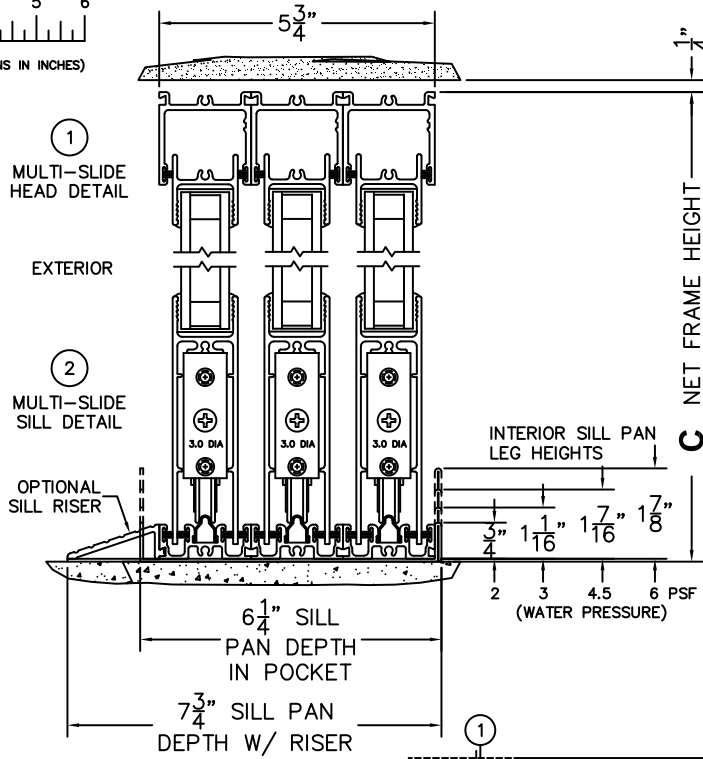
| | |
|----------------------------|--|
| D (POCKET WIDTH) | |
| E (NET FRAME WIDTH) | |
| F (POCKET WIDTH) | |
| G (NET FRAME WIDTH) | |

NOTES:

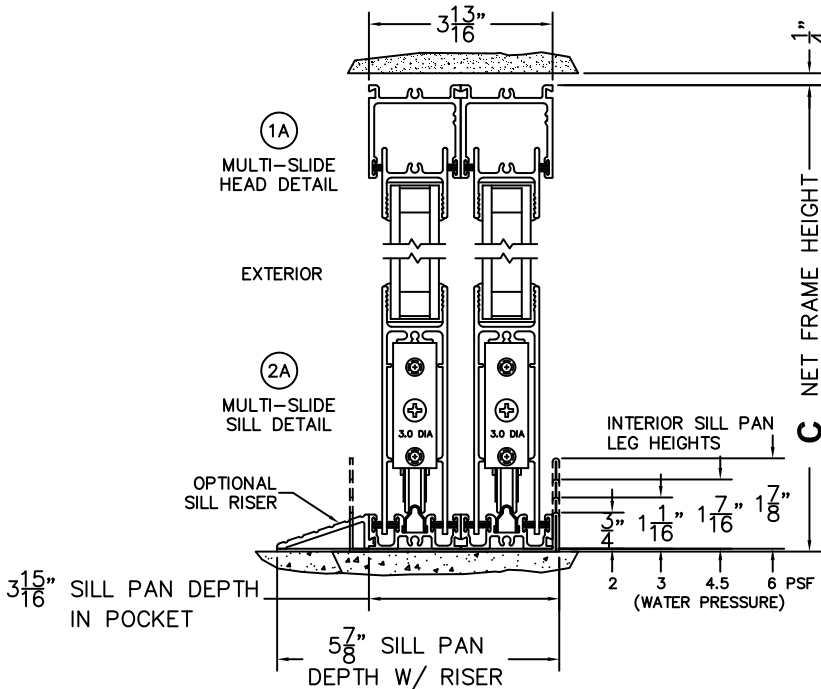


(USE RULER TO SCALE DIMENSIONS IN INCHES)

SCALE: 1/4"



PXXXIXXP DOOR SHOWN





FLEETWOOD
WINDOWS & DOORS
FleetwoodUSA.com

NORWOOD 3070EX M/S
90°PXXXIXXP STANDARD CONFIGURATION
NO SCREENS

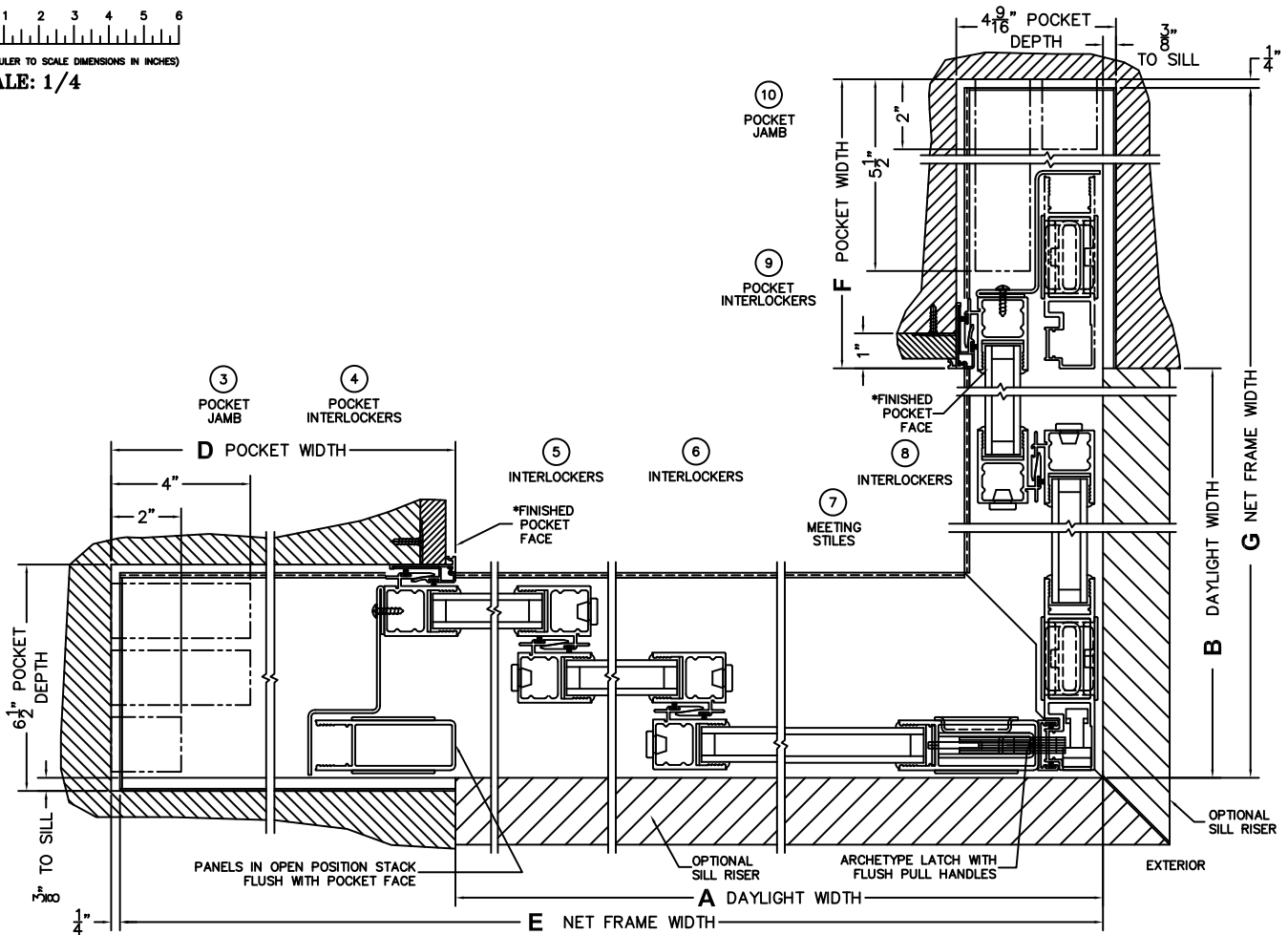
ORDER NO.:

ITEM NO.:



(USE RULER TO SCALE DIMENSIONS IN INCHES)

SCALE: 1/4



*CAUTION: WHEN CONSTRUCTING POCKET NOTE THAT DAYLIGHT WIDTH DOES NOT INCLUDE 1" SET BACK FOR POST INTERLOCKER.

DWG NO.: 3070-EX-90PXXXIXXP-NS0-IS-MS-SIE-HF-DN-AN-PEN-PAN-P12-S2

SHEET: 2 OF 3

CUSTOMER
SIGNATURE

DATE:



FLEETWOOD
WINDOWS & DOORS
FleetwoodUSA.com

NORWOOD 3070EX M/S
90°PXXX-XXP STANDARD CONFIG.
NO SCREENS

ORDER NO.:

ITEM NO.:



(USE RULER TO SCALE DIMENSIONS IN INCHES)

SCALE: 1/4

