



**FLEETWOOD**  
WINDOWS & DOORS  
FleetwoodUSA.com

**NORWOOD 3070EX M/S**  
**90°PXXIXXP CUSTOM CONFIG.**  
**NO SCREENS**

ORDER NO.:

ITEM NO.:

REQUIRED DEALER INFO.

**A**(DAYLIGHT WIDTH)

**B**(DAYLIGHT WIDTH)

**C**(NET FRAME HEIGHT)

SILL PAN HEIGHT(INTERIOR LEG)  
(3/4", 1-1/16", 1-7/16" OR 1-7/8")

CALCULATED VALUES (FLEETWOOD SUPPLIED)

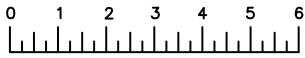
**D**(POCKET WIDTH)

**E**(NET FRAME WIDTH)

**F**(POCKET WIDTH)

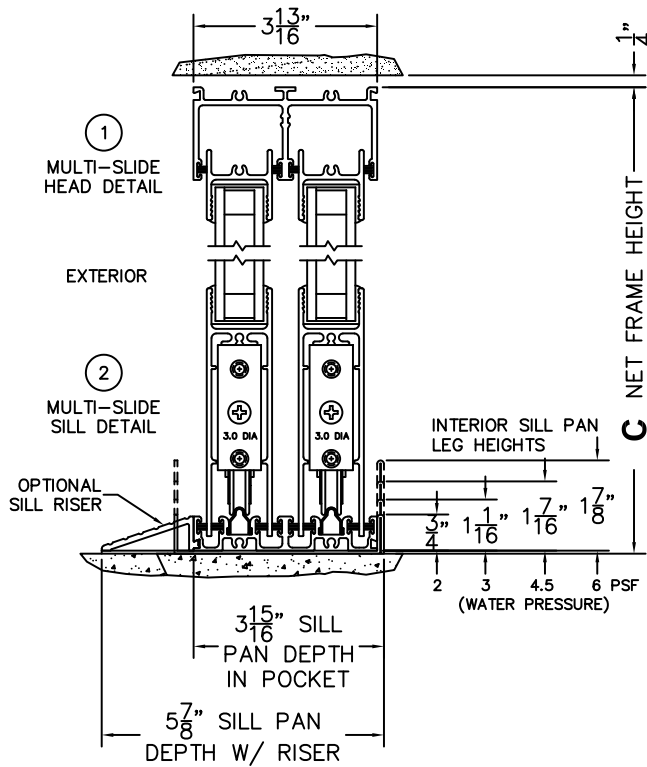
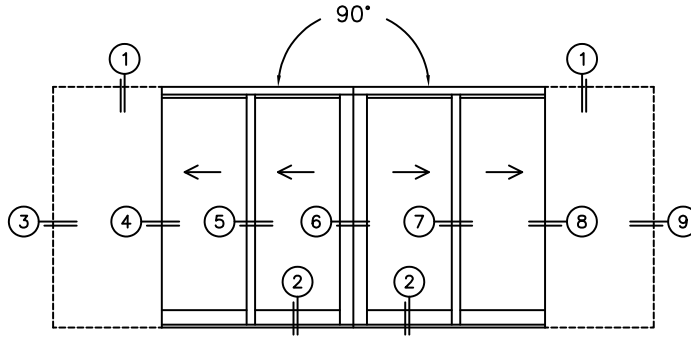
**G**(NET FRAME WIDTH)

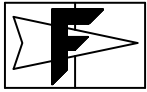
NOTES:



(USE RULER TO SCALE DIMENSIONS IN INCHES)

SCALE: 1/4





**FLEETWOOD**  
WINDOWS & DOORS  
FleetwoodUSA.com

**NORWOOD 3070EX M/S**  
**90°PXXIXXP CUSTOM CONFIG.**  
**NO SCREENS**

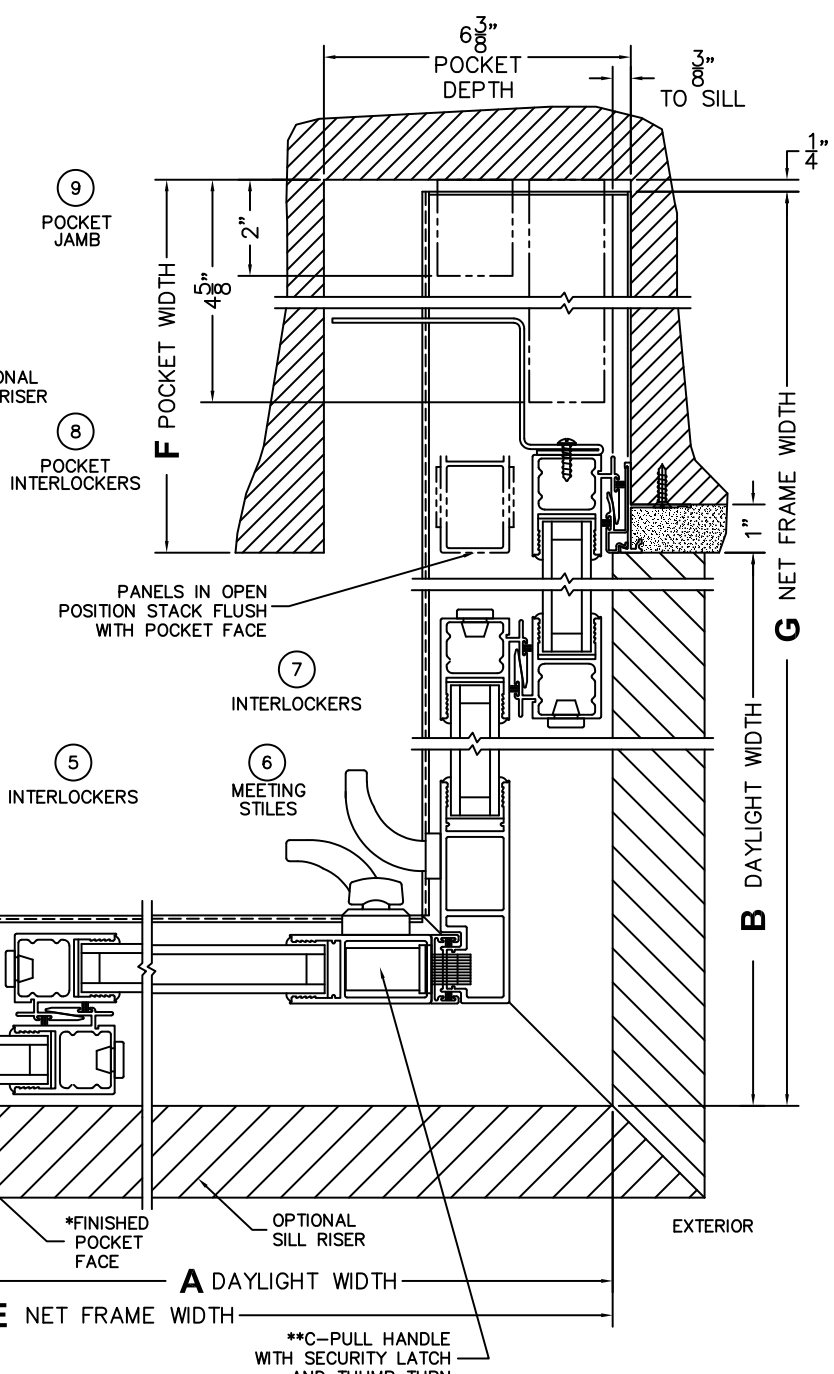
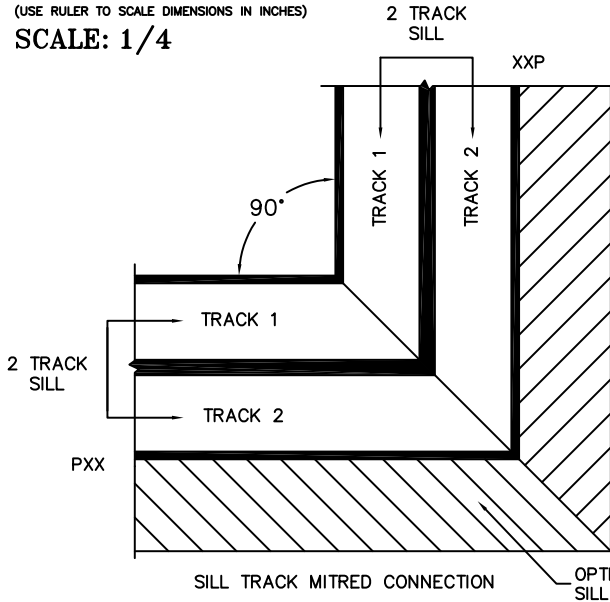
ORDER NO.:

ITEM NO.:



(USE RULER TO SCALE DIMENSIONS IN INCHES)

SCALE: 1/4



**\*\*WARNING:** C-HANDLES NOT RECOMMENDED, HAND TRAUMA MAY OCCUR DUE TO INADEQUATE CLEARANCE BETWEEN HANDLES. (ONLY FLUSH HANDLES ARE RECOMMENDED FOR THIS CONFIGURATION).

**\*CAUTION:** WHEN CONSTRUCTING POCKET NOTE THAT DAYLIGHT WIDTH DOES NOT INCLUDE 1" SET BACK FOR POST INTERLOCKER.