



**FLEETWOOD**  
WINDOWS & DOORS  
FleetwoodUSA.com

**NORWOOD 3070EX M/S**  
**90°PXXIXP STANDARD CONFIG.**  
**WITH SCREENS**

ORDER NO.:

ITEM NO.:

REQUIRED DEALER INFO.

<b>A</b> (NET FRAME WIDTH)	
<b>B</b> (DAYLIGHT WIDTH)	
<b>C</b> (NET FRAME HEIGHT)	
SILL PAN HEIGHT(INTERIOR LEG)	
(3/4", 1-1/16", 1-7/16" OR 1-7/8")	

CALCULATED VALUES (FLEETWOOD SUPPLIED)

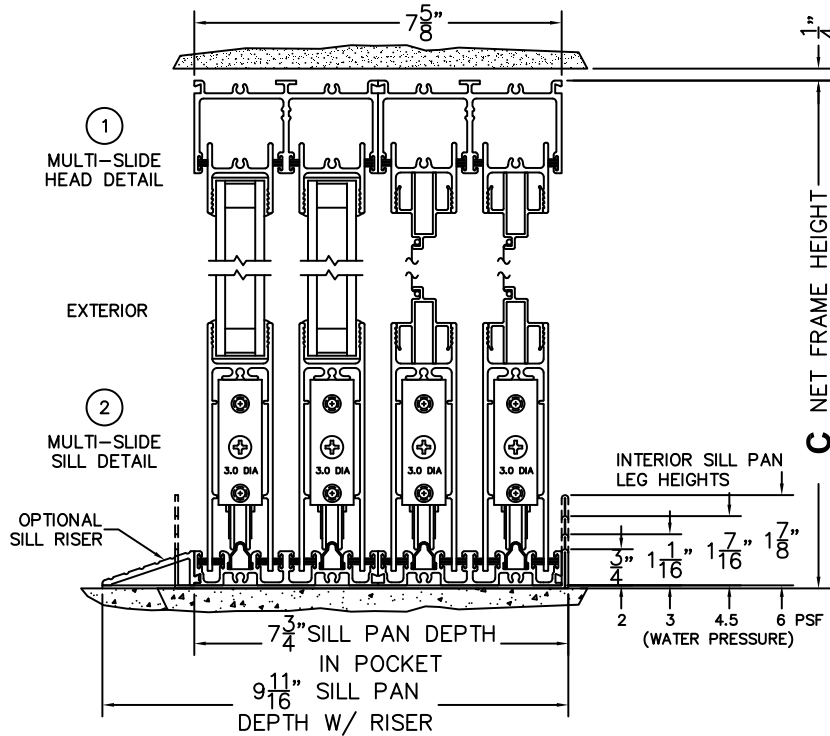
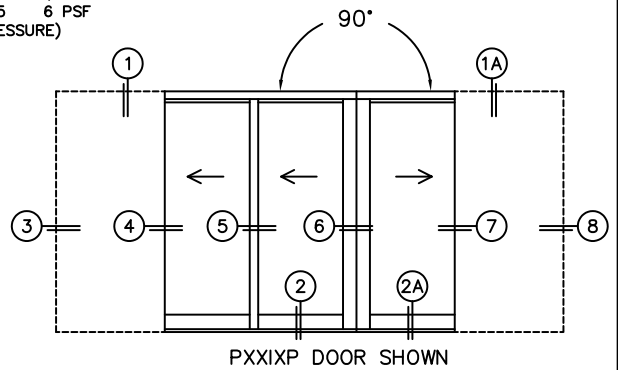
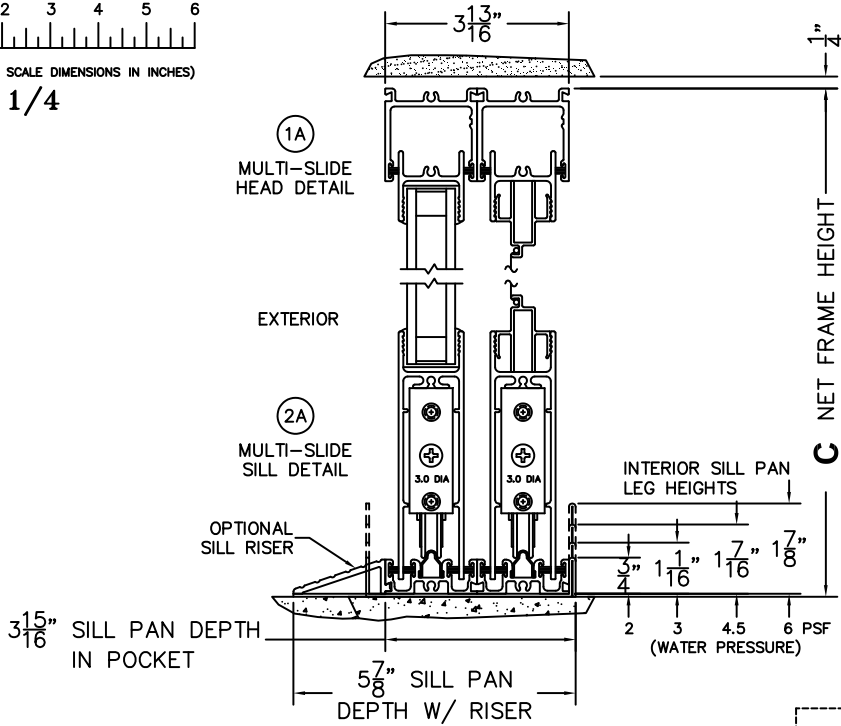
<b>D</b> (POCKET WIDTH)	
<b>E</b> (NET FRAME WIDTH)	

NOTES:



(USE RULER TO SCALE DIMENSIONS IN INCHES)

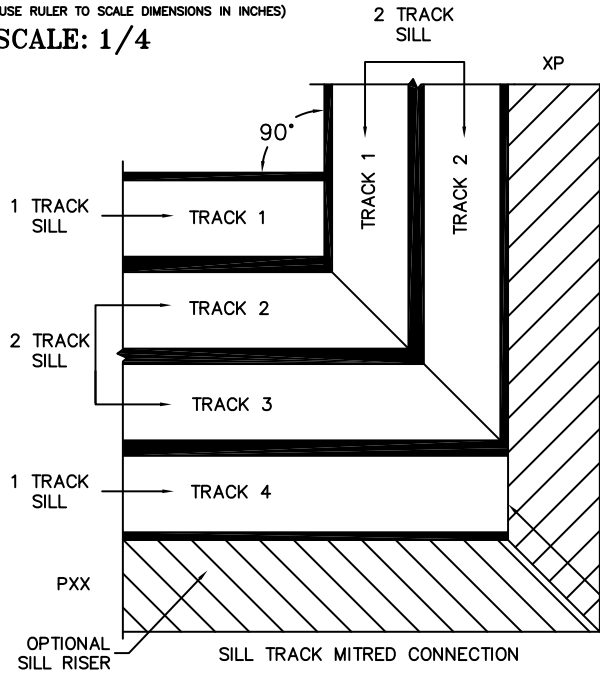
SCALE: 1/4



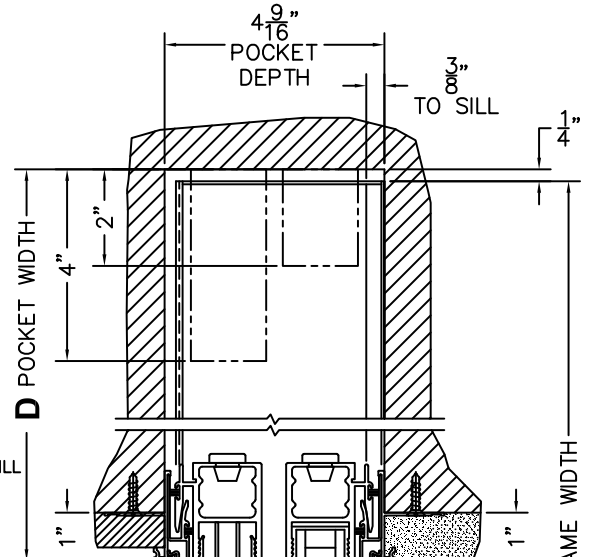


(USE RULER TO SCALE DIMENSIONS IN INCHES)

SCALE: 1/4



THIS CONFIGURATION  
CREATES OPEN ENDS  
AT THE HEAD AND SILL



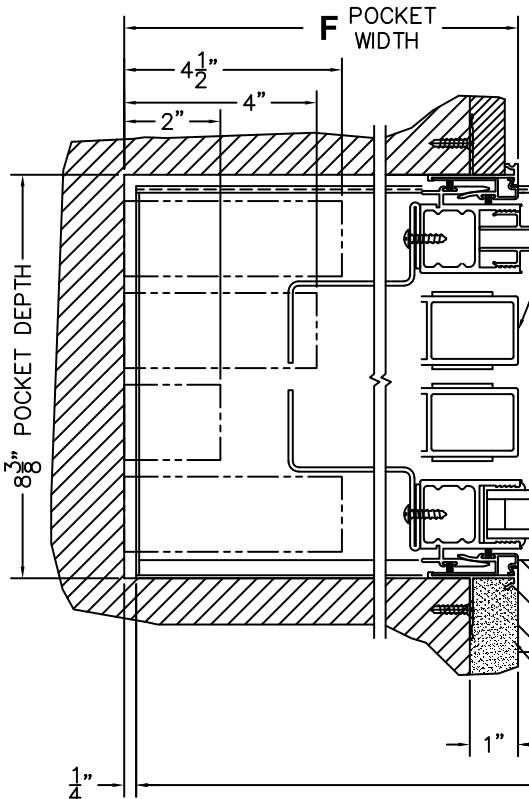
③ POCKET  
JAMB

④ POCKET  
INTERLOCKERS

⑦ POCKET  
INTERLOCKERS

⑤ INTERLOCKERS

⑥ MEETING  
STILES



PANELS IN OPEN  
POSITION STACK FLUSH  
WITH POCKET FACE

\*FINISHED  
POCKET  
FACE

FLUSH PULL HARDWARE  
WITH SECURITY LATCH

OPTIONAL  
SILL RISER

EXTERIOR

G NET FRAME WIDTH

B DAYLIGHT WIDTH

A DAYLIGHT WIDTH

E NET FRAME WIDTH

\*CAUTION: WHEN CONSTRUCTING POCKET NOTE THAT DAYLIGHT WIDTH DOES NOT INCLUDE 1" SET BACK FOR POST INTERLOCKER.