



**FLEETWOOD**  
WINDOWS & DOORS  
FleetwoodUSA.com

**NORWOOD 3070EX M/S**  
**90°PXXIXP STANDARD CONFIG.**  
**WITH SCREENS**

ORDER NO.:

ITEM NO.:

REQUIRED DEALER INFO.

<b>A</b> (DAYLIGHT WIDTH)	
<b>B</b> (DAYLIGHT WIDTH)	
<b>C</b> (NET FRAME HEIGHT)	
SILL PAN HEIGHT(INTERIOR LEG)	(3/4", 1-1/16", 1-7/16" OR 1-7/8")

CALCULATED VALUES (FLEETWOOD SUPPLIED)

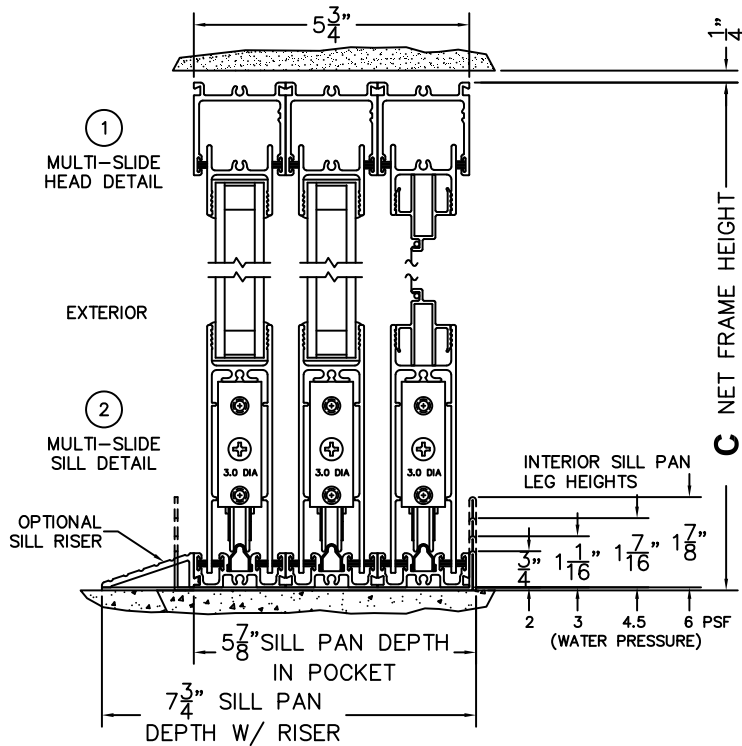
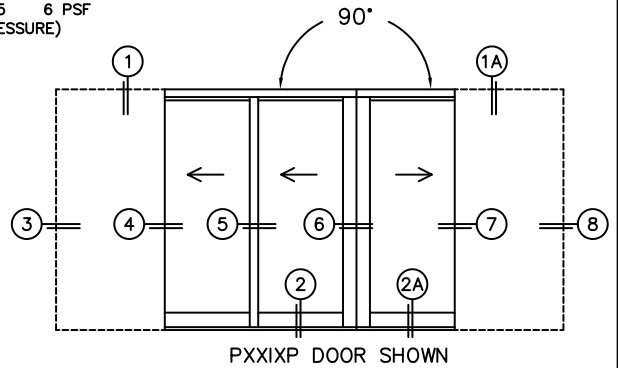
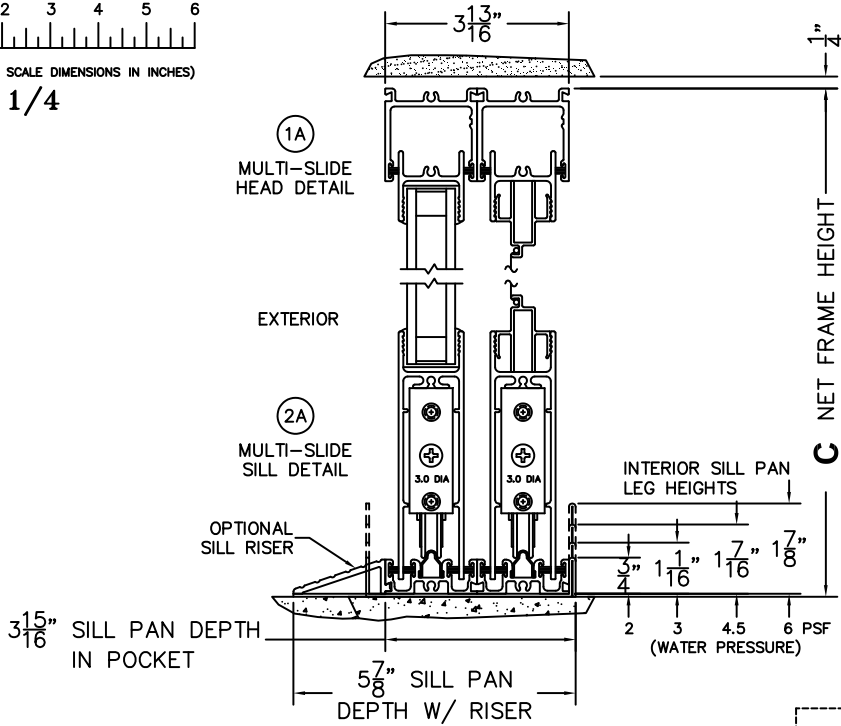
<b>D</b> (POCKET WIDTH)	
<b>E</b> (NET FRAME WTH)	
<b>F</b> (POCKET WIDTH)	
<b>G</b> (NET FRAME WTH)	

NOTES:



(USE RULER TO SCALE DIMENSIONS IN INCHES)

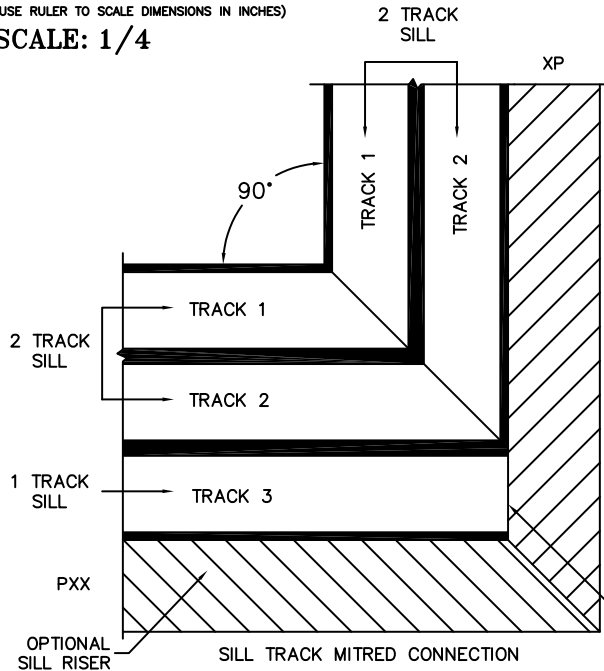
SCALE: 1/4



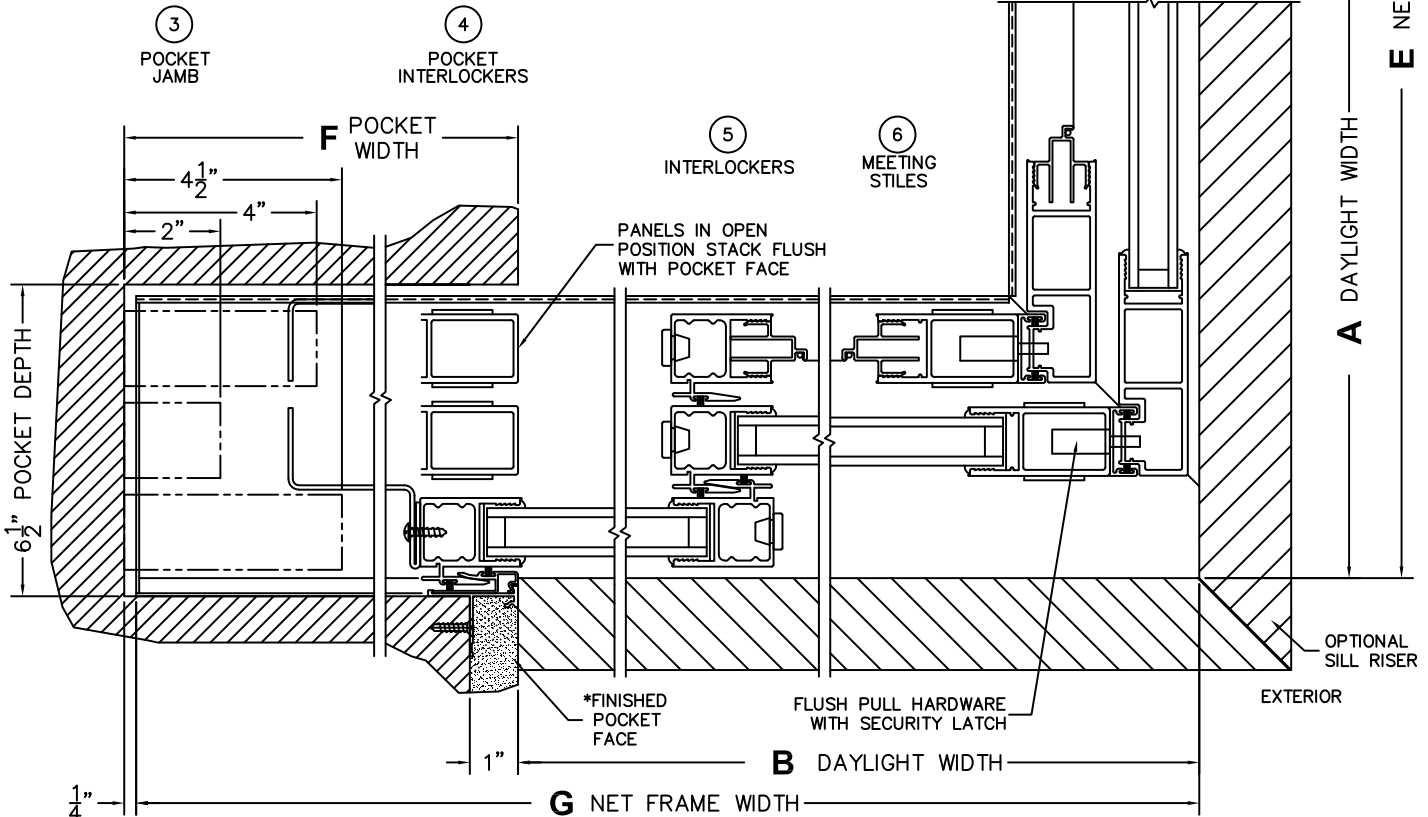
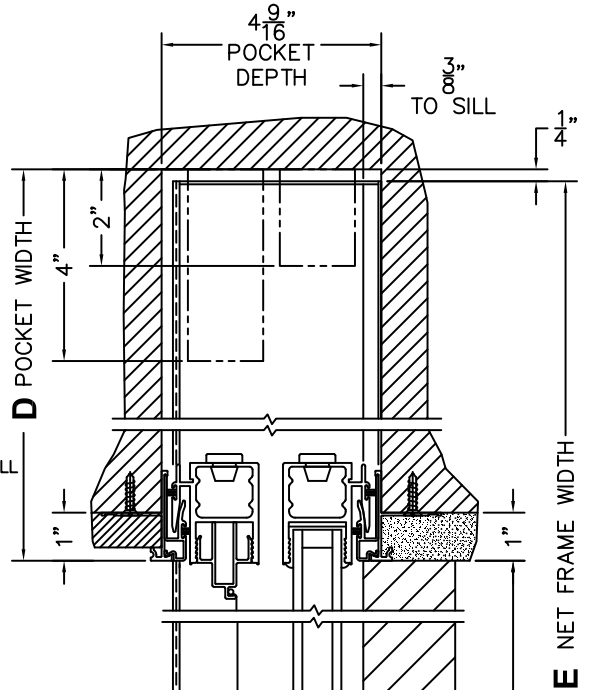


(USE RULER TO SCALE DIMENSIONS IN INCHES)

SCALE: 1/4



THIS CONFIGURATION  
CREATES OPEN ENDS  
AT THE HEAD AND SILL



\*CAUTION: WHEN CONSTRUCTING POCKET NOTE THAT DAYLIGHT WIDTH DOES NOT INCLUDE 1" SET BACK FOR POST INTERLOCKER.