



**FLEETWOOD**  
WINDOWS & DOORS  
FleetwoodUSA.com

**NORWOOD 3070EX M/S**  
**90°PXIXXP STANDARD CONFIG.**  
**NO SCREENS**

ORDER NO.:

ITEM NO.:

REQUIRED DEALER INFO.

|                               |                                    |
|-------------------------------|------------------------------------|
| <b>A</b> (DAYLIGHT WIDTH)     |                                    |
| <b>B</b> (DAYLIGHT WIDTH)     |                                    |
| <b>C</b> (NET FRAME HEIGHT)   |                                    |
| SILL PAN HEIGHT(INTERIOR LEG) | (3/4", 1-1/16", 1-7/16" OR 1-7/8") |

CALCULATED VALUES (FLEETWOOD SUPPLIED)

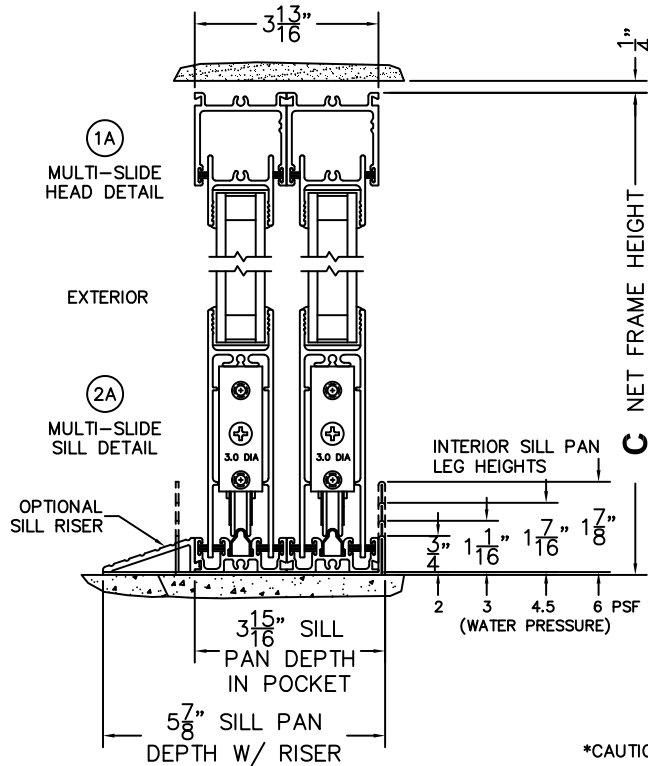
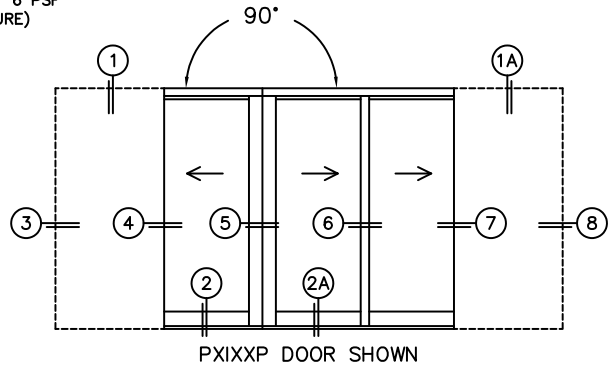
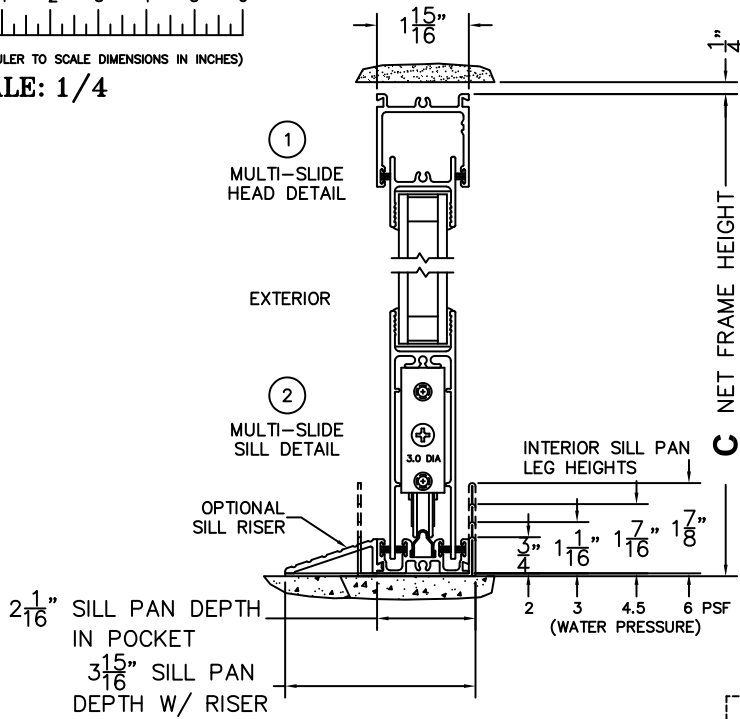
|                          |  |
|--------------------------|--|
| <b>D</b> (POCKET WIDTH)  |  |
| <b>E</b> (NET FRAME WDH) |  |
| <b>F</b> (POCKET WIDTH)  |  |
| <b>G</b> (NET FRAME WDH) |  |

NOTES:

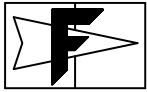


(USE RULER TO SCALE DIMENSIONS IN INCHES)

SCALE: 1/4

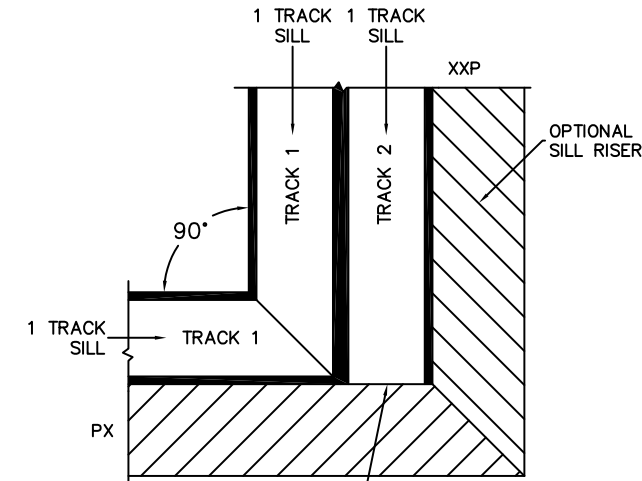


\*CAUTION: WHEN CONSTRUCTING POCKET NOTE THAT DAYLIGHT WIDTH DOES NOT INCLUDE 1" SET BACK FOR POST INTERLOCKER.



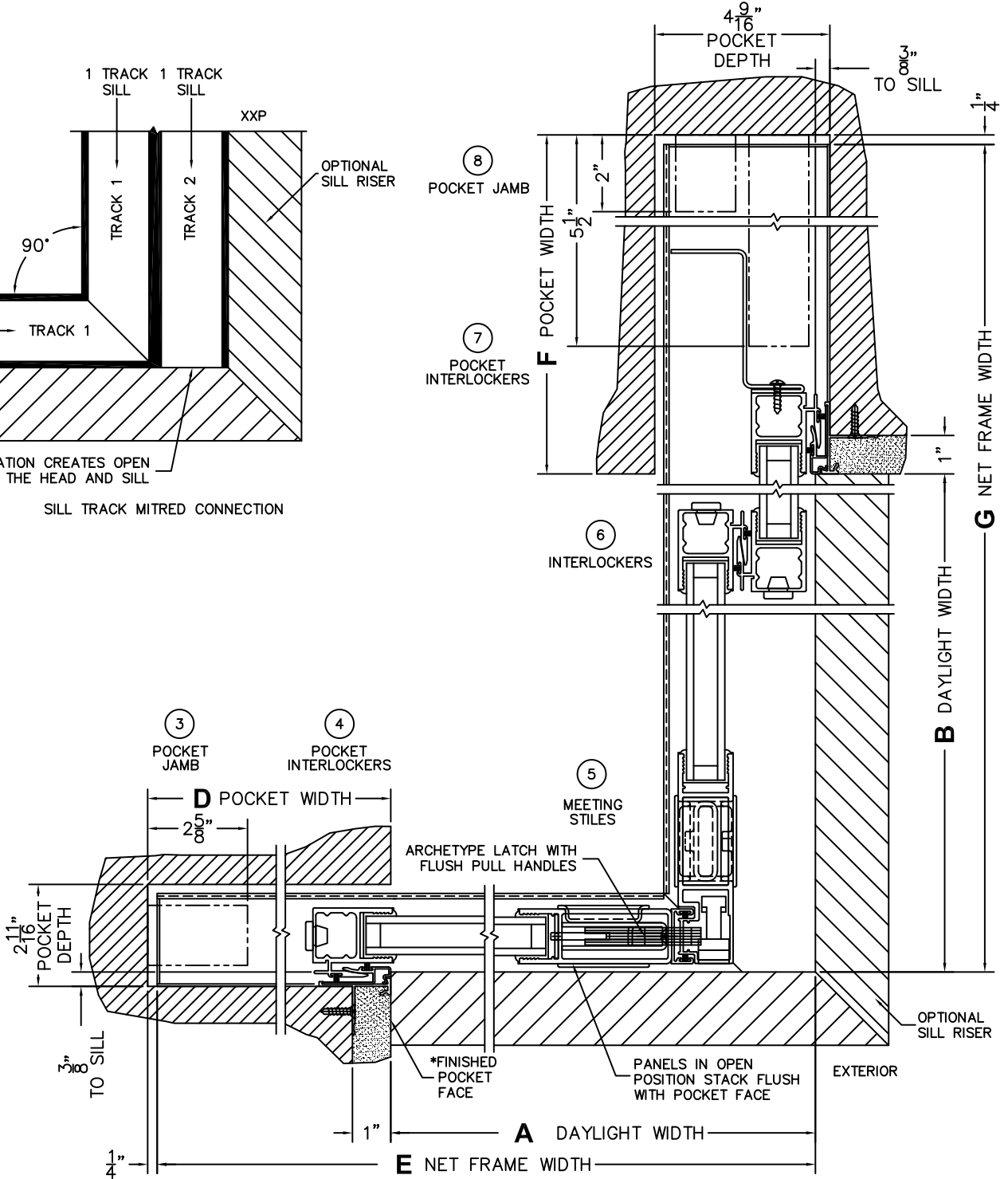
(USE RULER TO SCALE DIMENSIONS IN INCHES)

SCALE: 1/4



THIS CONFIGURATION CREATES OPEN ENDS AT THE HEAD AND SILL

SILL TRACK MITRED CONNECTION



\*CAUTION: WHEN CONSTRUCTING POCKET NOTE THAT DAYLIGHT WIDTH DOES NOT INCLUDE 1" SET BACK FOR POST INTERLOCKER.