



FLEETWOOD
WINDOWS & DOORS
FleetwoodUSA.com

NORWOOD 3070EX M/S
90°PXIXXP CUSTOM CONFIG.
NO SCREENS

ORDER NO.:

ITEM NO.:

REQUIRED DEALER INFO.

A (DAYLIGHT WIDTH)	
B (DAYLIGHT WIDTH)	
C (NET FRAME HEIGHT)	
SILL PAN HEIGHT(INTERIOR LEG)	(3/4", 1-1/16", 1-7/16" OR 1-7/8")

CALCULATED VALUES (FLEETWOOD SUPPLIED)

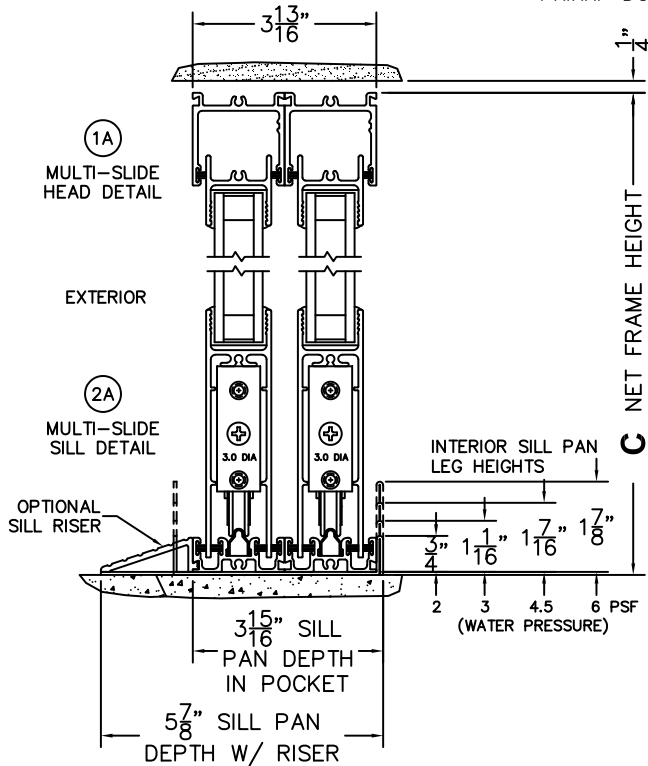
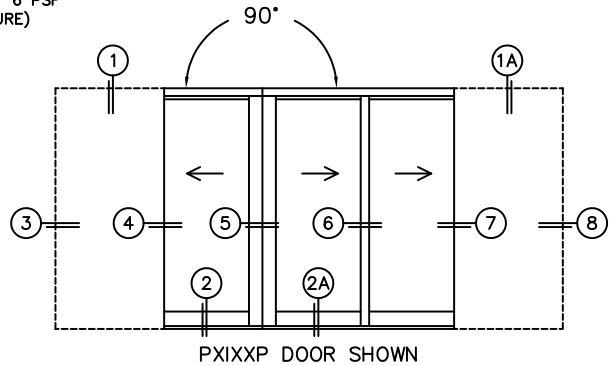
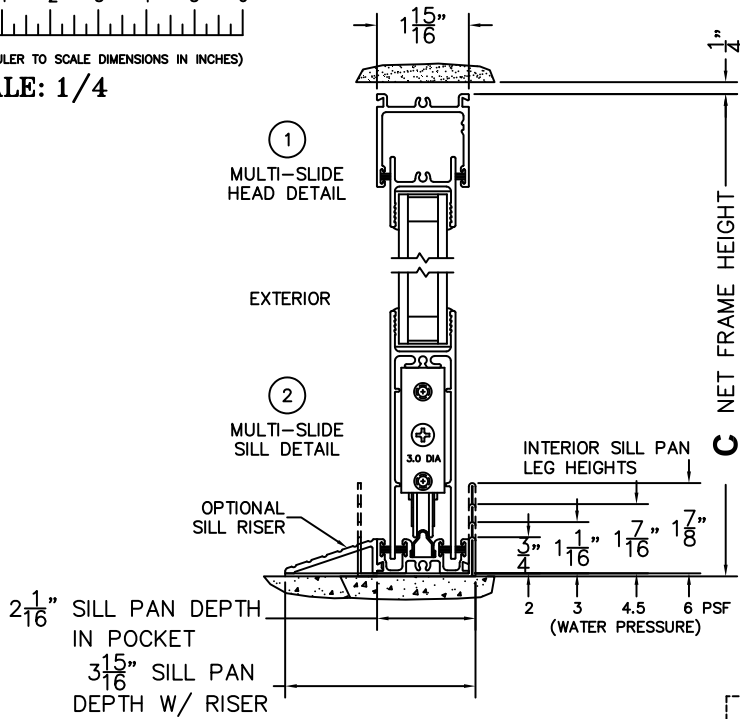
D (POCKET WIDTH)	N/A
E (NET FRAME WDH)	
F (POCKET WIDTH)	N/A
G (NET FRAME WDH)	

NOTES:



(USE RULER TO SCALE DIMENSIONS IN INCHES)

SCALE: 1/4





FLEETWOOD
WINDOWS & DOORS
FleetwoodUSA.com

NORWOOD 3070EX M/S
90°PXIXXP CUSTOM CONFIG.
NO SCREENS

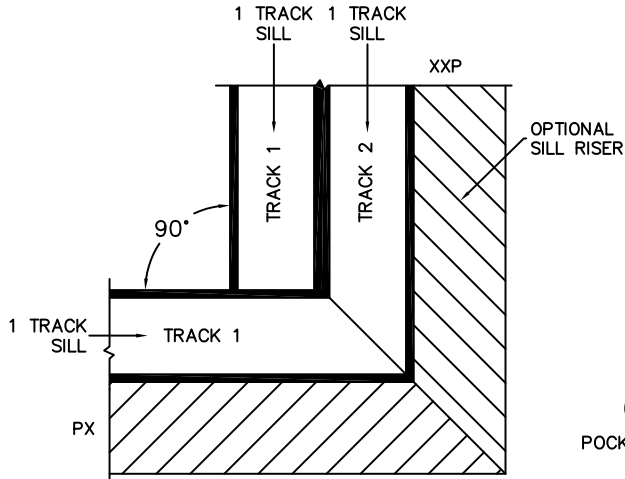
ORDER NO.:

ITEM NO.:



(USE RULER TO SCALE DIMENSIONS IN INCHES)

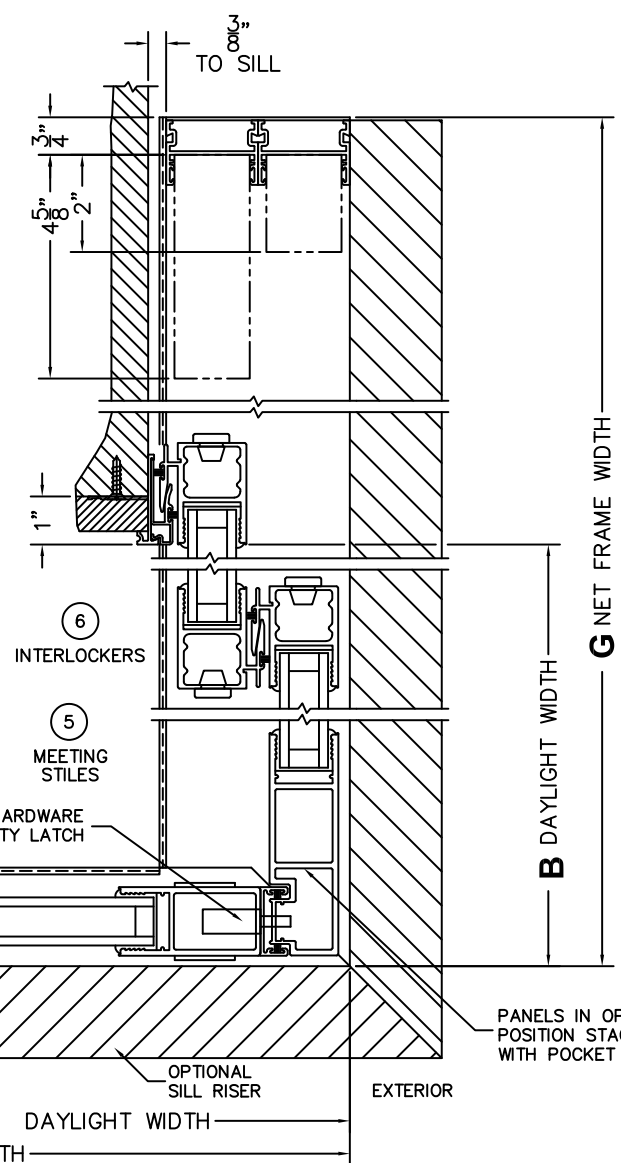
SCALE: 1/4



SILL TRACK MITRED CONNECTION

8
POCKET JAMB

7
POCKET INTERLOCKERS



6
INTERLOCKERS

5
MEETING STILES

3
POCKET JAMB

4
POCKET INTERLOCKERS

A DAYLIGHT WIDTH
E NET FRAME WIDTH

*CAUTION: WHEN CONSTRUCTING POCKET NOTE THAT DAYLIGHT WIDTH DOES NOT INCLUDE 1" SET BACK FOR POST INTERLOCKER.