



FLEETWOOD
WINDOWS & DOORS
FleetwoodUSA.com

NORWOOD 3070EX M/S
900XXIXXXXO STANDARD CONFIGURATION
NO SCREENS

ORDER NO.:

ITEM NO.:

REQUIRED DEALER INFO.

A(NET FRAME WIDTH)

B(NET FRAME WIDTH)

C(NET FRAME HEIGHT)

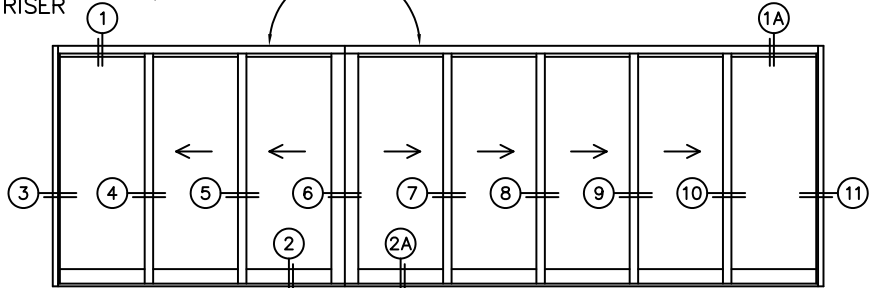
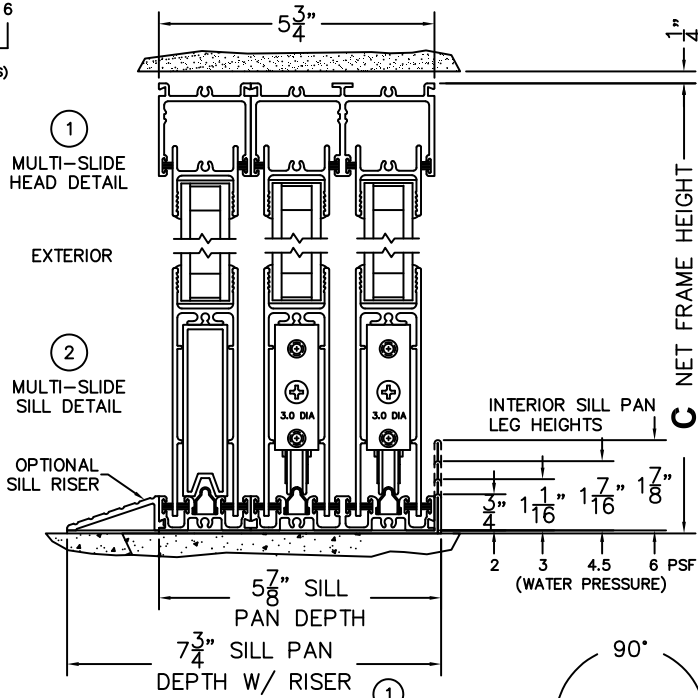
SILL PAN HEIGHT (INTERIOR LEG)
(3/4", 1-1/16", 1-7/16" OR 1-7/8")

NOTES:

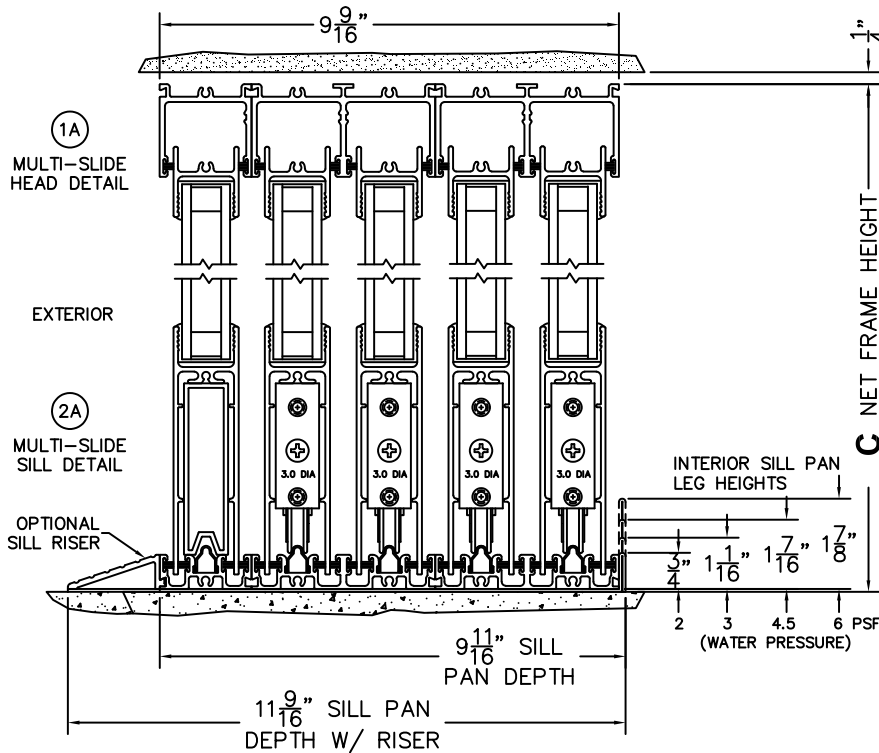


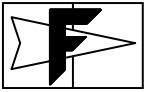
(USE RULER TO SCALE DIMENSIONS IN INCHES)

SCALE: 1/4



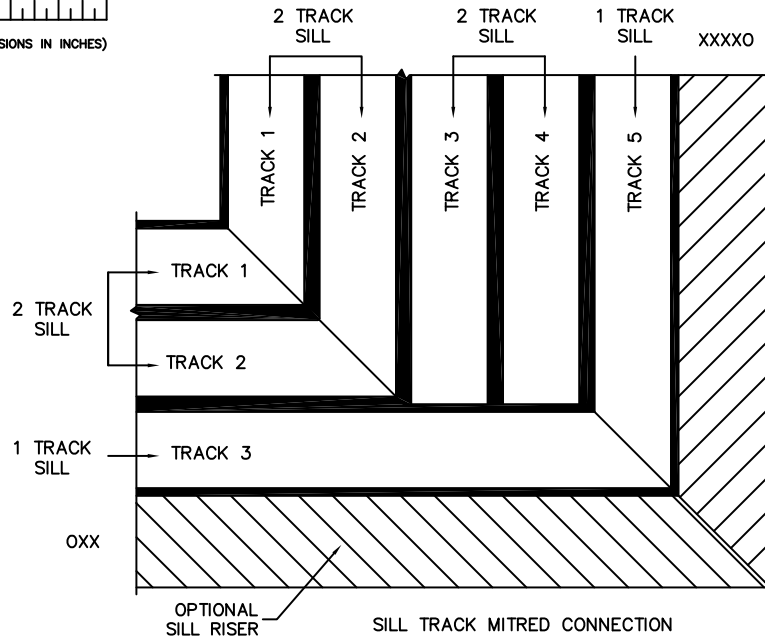
OXXIXXXXO DOOR SHOWN





(USE RULER TO SCALE DIMENSIONS IN INCHES)

SCALE: 1/4



11
FIXED JAMB

10
INTERLOCKERS

9
INTERLOCKERS

8
INTERLOCKERS

7
INTERLOCKERS

3
FIXED JAMB

4
INTERLOCKERS

5
INTERLOCKERS

6
MEETING STILES

FLUSH PULL HARDWARE WITH SECURITY LATCH

1/4"

B NET FRAME WIDTH

EXTERIOR

OPTIONAL SILL RISER

A NET FRAME WIDTH