



FLEETWOOD
WINDOWS & DOORS
FleetwoodUSA.com

NORWOOD 3070EX M/S
90°OXXIXP STANDARD CONFIGURATION
NO SCREENS

ORDER NO.:

ITEM NO.:

REQUIRED DEALER INFO.

A (NET FRAME WIDTH)	
B (DAYLIGHT WIDTH)	
C (NET FRAME HEIGHT)	
SILL PAN HEIGHT(INTERIOR LEG)	(3/4", 1-1/16", 1-7/16" OR 1-7/8")

CALCULATED VALUES (FLEETWOOD SUPPLIED)

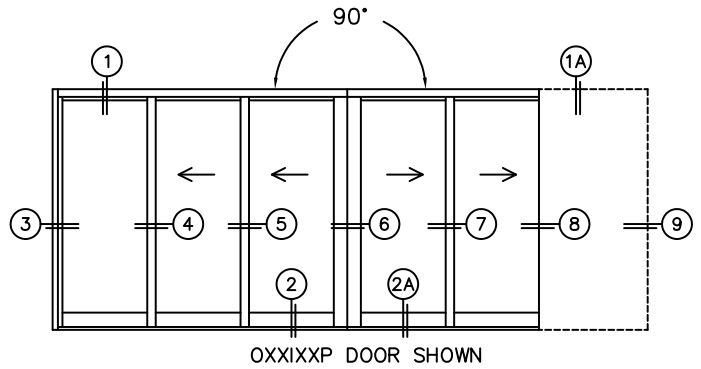
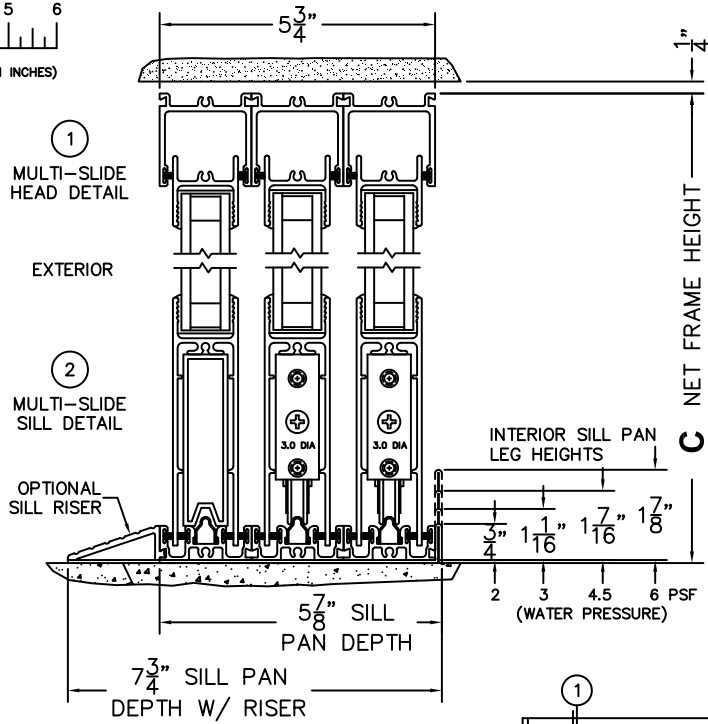
D (POCKET WIDTH)	
E (NET FRAME WIDTH)	

NOTES:

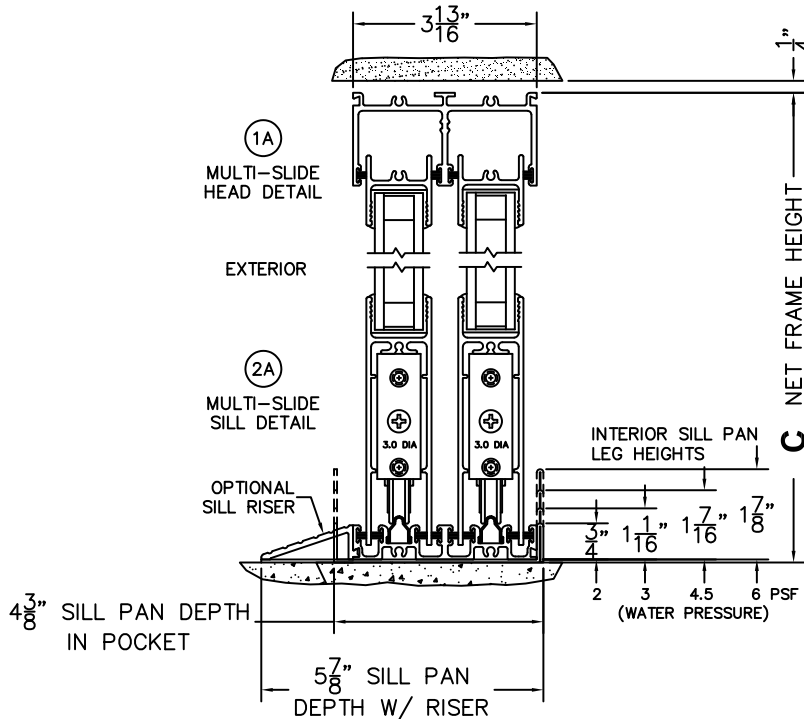


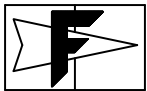
(USE RULER TO SCALE DIMENSIONS IN INCHES)

SCALE: 1/4



OXXIXP DOOR SHOWN

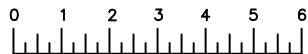




NORWOOD 3070EX M/S
90°OXXIXP STANDARD CONFIGURATION
NO SCREENS

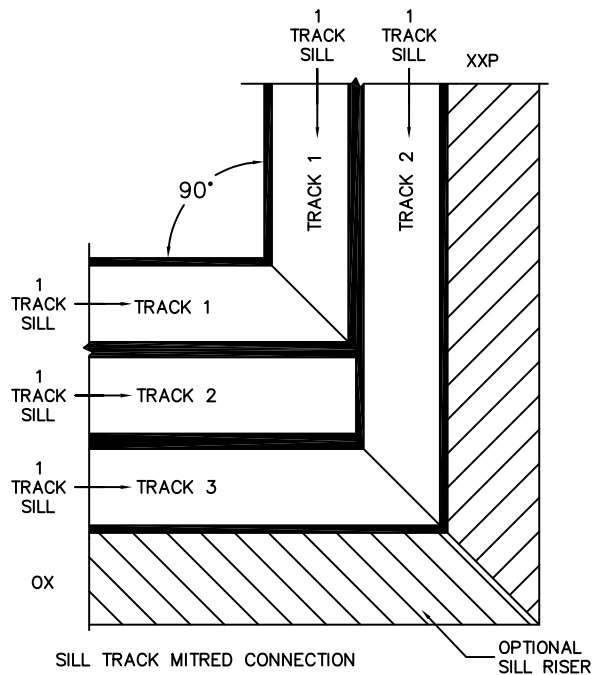
ORDER NO.:

ITEM NO.:



(USE RULER TO SCALE DIMENSIONS IN INCHES)

SCALE: 1/4



3
LOCK JAMB

4
INTERLOCKERS

5
INTERLOCKERS

6
MEETING STILES

FLUSH PULL HARDWARE WITH SECURITY LATCH

9
POCKET JAMB

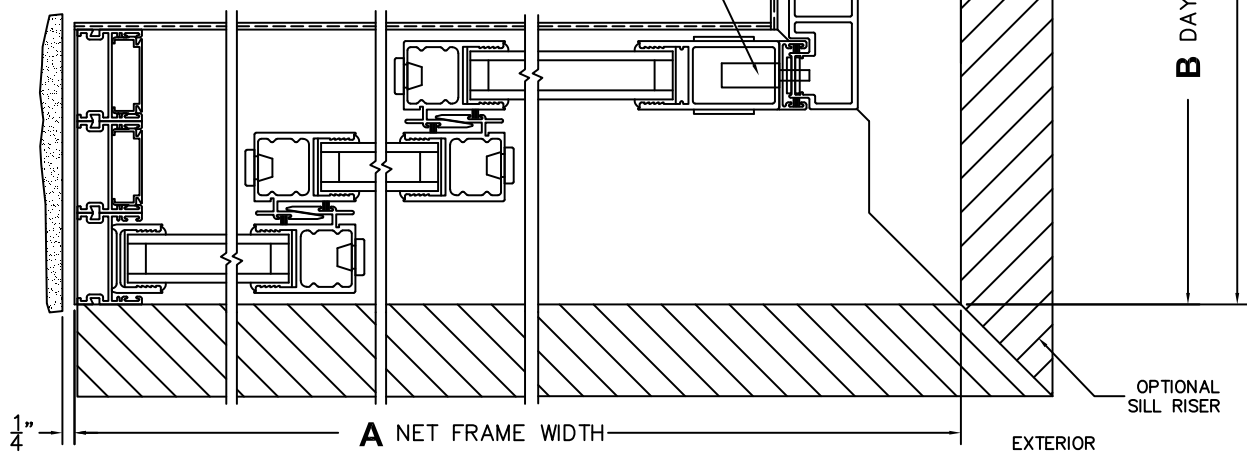
8
POCKET INTERLOCKERS

7
INTERLOCKERS

PANELS IN OPEN POSITION STACK FLUSH WITH POCKET FACE

*FINISHED POCKET FACE

B DAYLIGHT WIDTH
E NET FRAME WIDTH



*CAUTION: WHEN CONSTRUCTING POCKET NOTE THAT DAYLIGHT WIDTH DOES NOT INCLUDE 1" SET BACK FOR POST INTERLOCKER.