



**FLEETWOOD**  
WINDOWS & DOORS  
FleetwoodUSA.com

**NORWOOD 3070EX M/S**  
90°OXXIXP STANDARD CONFIGURATION  
NO SCREENS

ORDER NO.:

ITEM NO.:

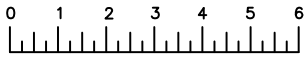
REQUIRED DEALER INFO.

|                               |                                    |
|-------------------------------|------------------------------------|
| <b>A</b> (NET FRAME WIDTH)    |                                    |
| <b>B</b> (DAYLIGHT WIDTH)     |                                    |
| <b>C</b> (NET FRAME HEIGHT)   |                                    |
| SILL PAN HEIGHT(INTERIOR LEG) | (3/4", 1-1/16", 1-7/16" OR 1-7/8") |

CALCULATED VALUES (FLEETWOOD SUPPLIED)

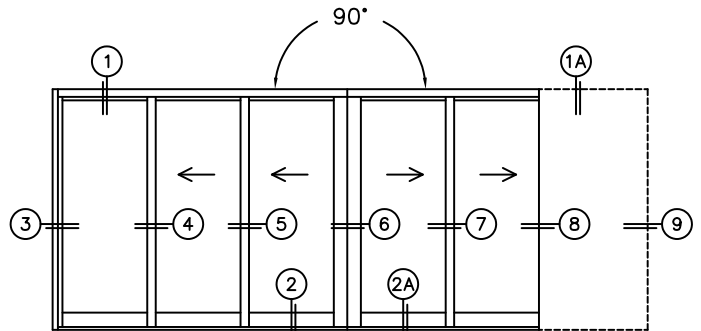
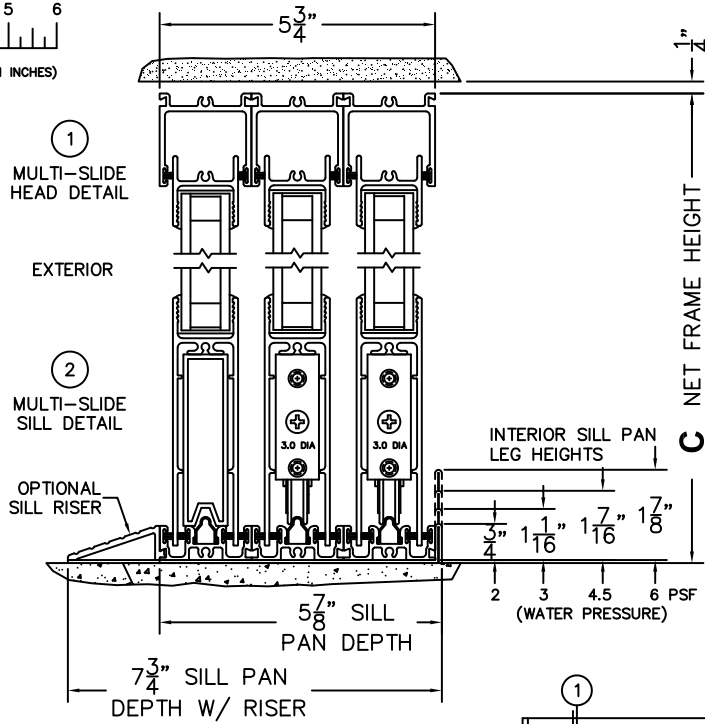
|                            |  |
|----------------------------|--|
| <b>D</b> (POCKET WIDTH)    |  |
| <b>E</b> (NET FRAME WIDTH) |  |

NOTES:

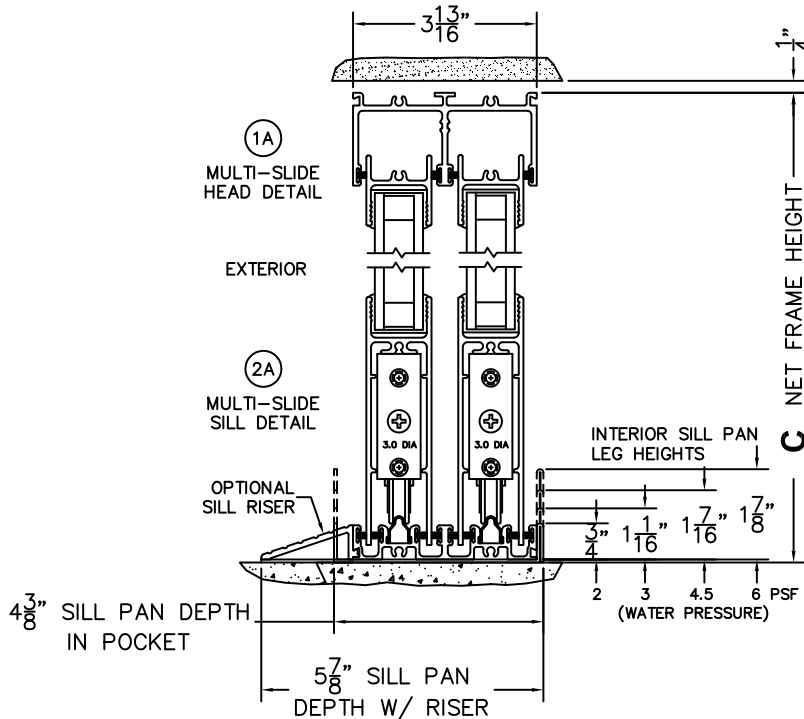


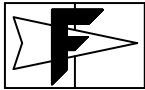
(USE RULER TO SCALE DIMENSIONS IN INCHES)

SCALE: 1/4



OXXIXP DOOR SHOWN





**NORWOOD 3070EX M/S**  
90°OXXIXP STANDARD CONFIGURATION  
NO SCREENS

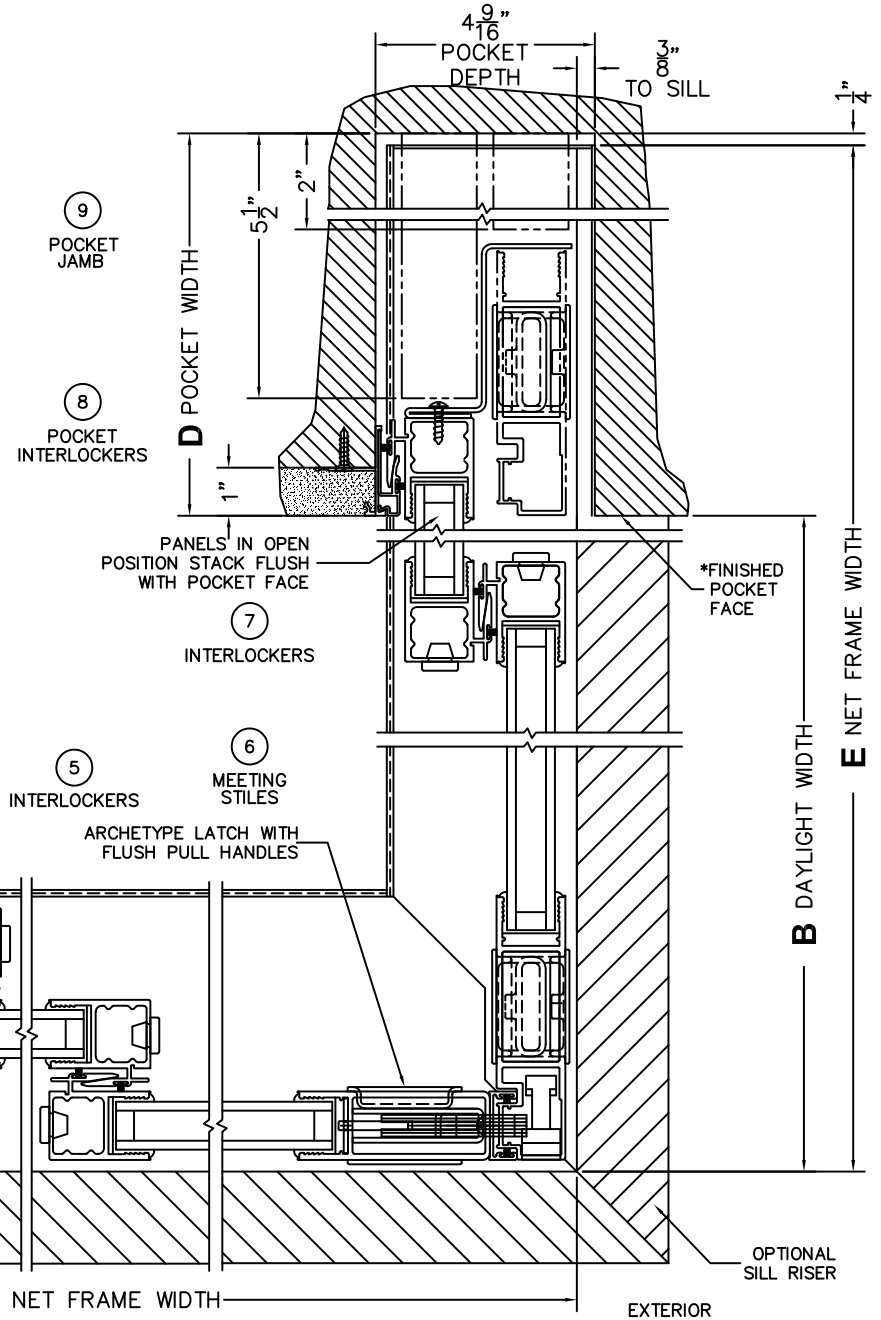
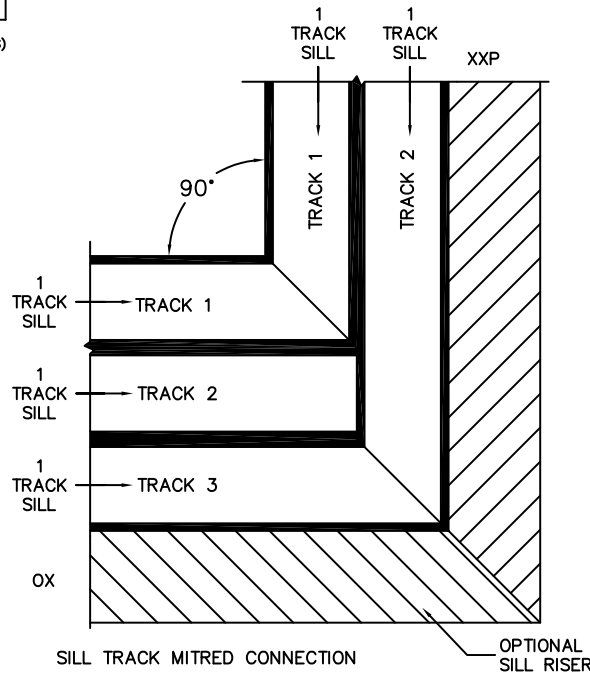
ORDER NO.:

ITEM NO.:



(USE RULER TO SCALE DIMENSIONS IN INCHES)

SCALE: 1/4



\*CAUTION: WHEN CONSTRUCTING POCKET NOTE THAT DAYLIGHT WIDTH DOES NOT INCLUDE 1" SET BACK FOR POST INTERLOCKER.