



FLEETWOOD
WINDOWS & DOORS
FleetwoodUSA.com

NORWOOD 3070EX M/S
90°OXXIXO CUSTOM CONFIGURATION
NO SCREENS

ORDER NO.:

ITEM NO.:

SCALE: 1/4

REQUIRED DEALER INFO.

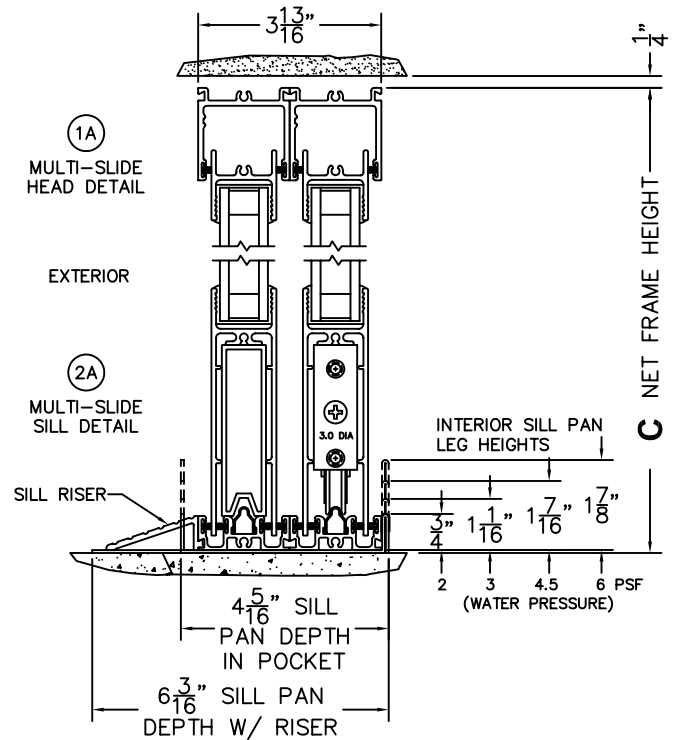
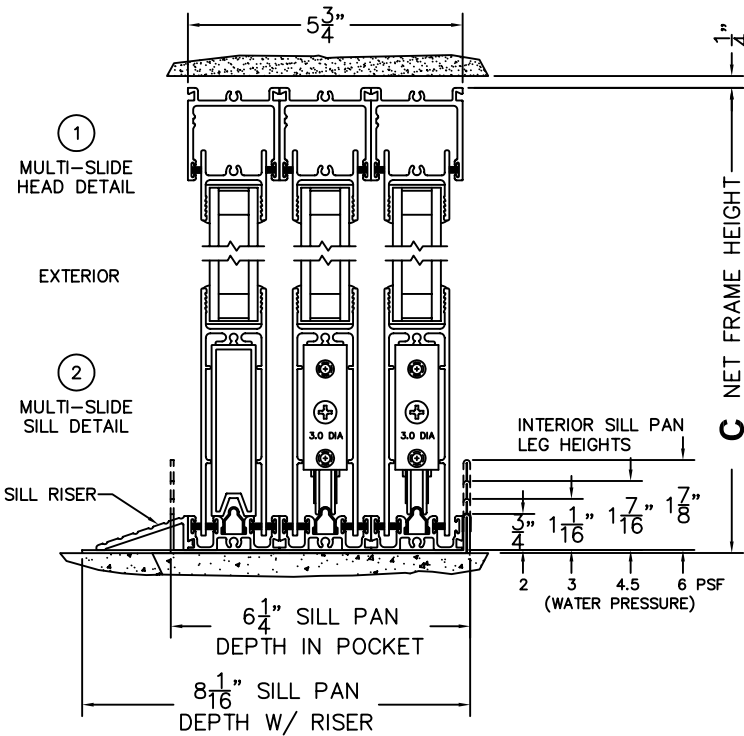
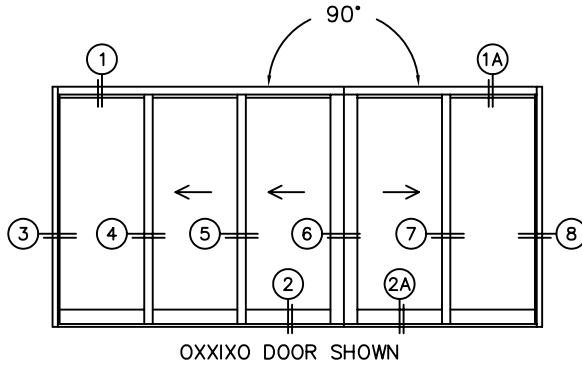
A(NET FRAME WIDTH)

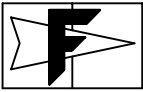
B(NET FRAME WIDTH)

C(NET FRAME HEIGHT)

SILL PAN HEIGHT(INTERIOR LEG)
(3/4", 1-1/16", 1-7/16" OR 1-7/8")

NOTES:





FLEETWOOD
WINDOWS & DOORS
FleetwoodUSA.com

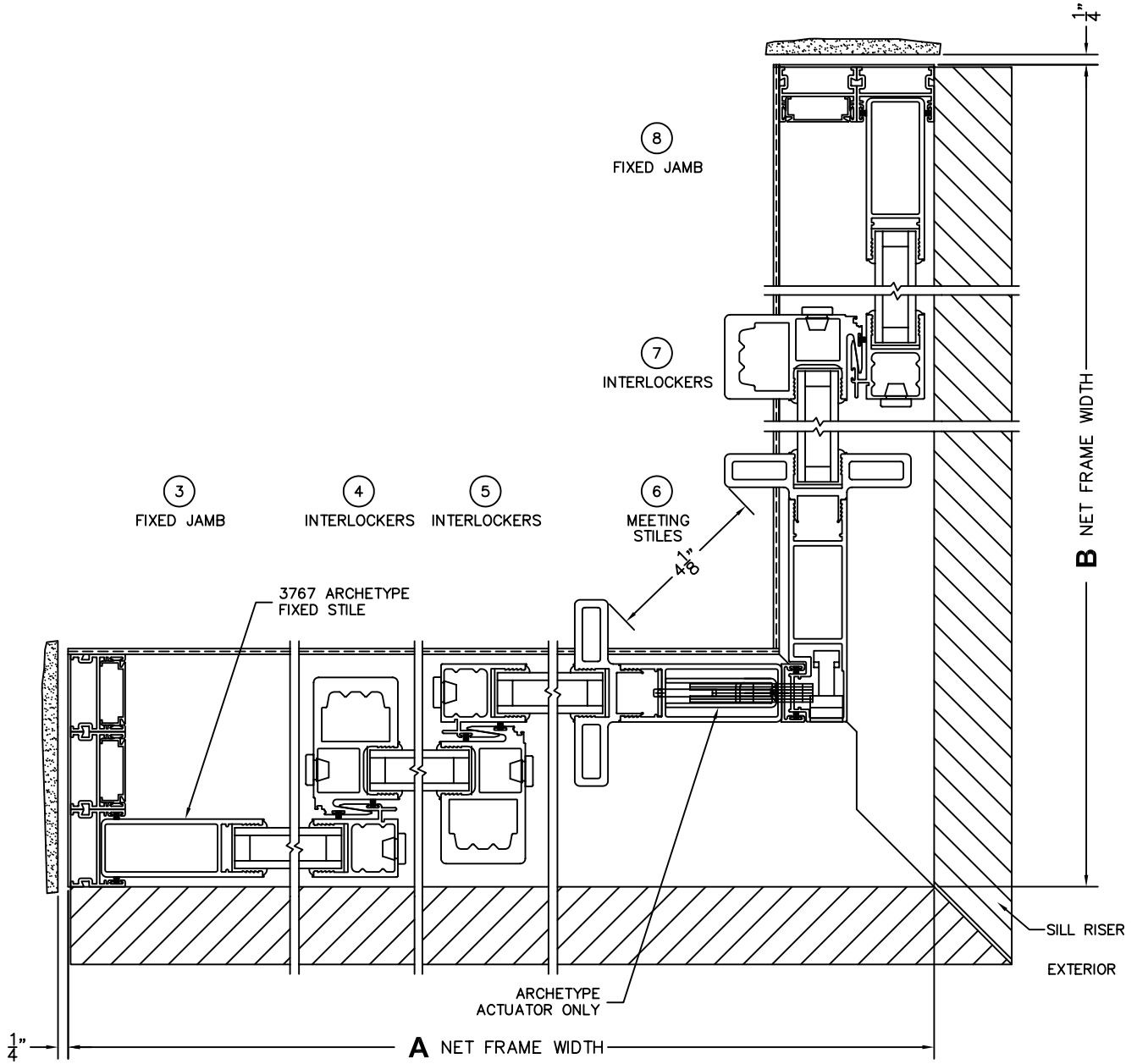
NORWOOD 3070EX M/S
90°OXXIXO CUSTOM CONFIGURATION
NO SCREENS

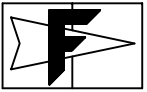
ORDER NO.:

ITEM NO.:

SCALE: 1/4

NOTE: THIS CONFIGURATION LIMITS
ACTUATOR ACCESS TO 4-1/8"
*CUSTOMER INIT.





FLEETWOOD
WINDOWS & DOORS
FleetwoodUSA.com

NORWOOD 3070EX M/S
90°OXXIXO CUSTOM CONFIGURATION
NO SCREENS

ORDER NO.:

ITEM NO.:

SCALE: 1/4

NON-FLUSH STACK (EQUAL GLASS):
PANELS IN OPEN POSITION

