

**FLEETWOOD**  
WINDOWS & DOORS  
FleetwoodUSA.com

**NORWOOD 3070EX M/S**  
90°OXIXO CUSTOM CONFIGURATION  
NO SCREENS

ORDER NO.:

ITEM NO.:

SCALE: 1/4

REQUIRED DEALER INFO.

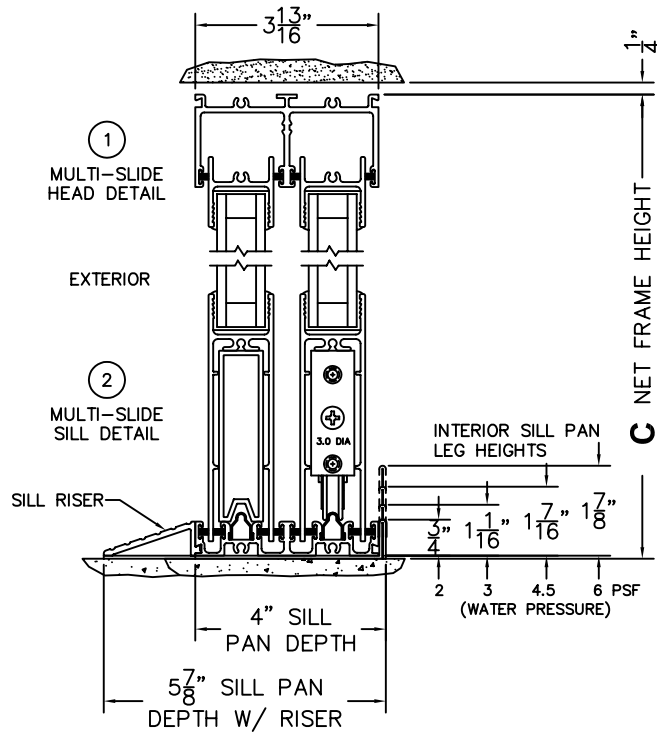
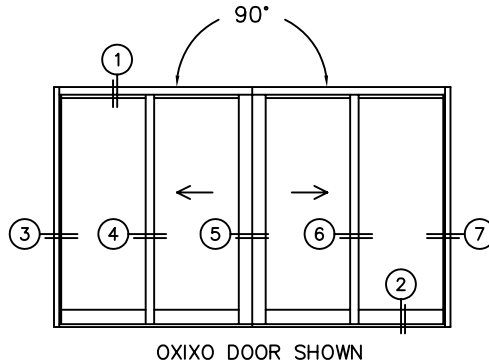
**A**(NET FRAME WIDTH)

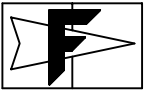
**B**(NET FRAME WIDTH)

**C**(NET FRAME HEIGHT)

SILL PAN HEIGHT(INTERIOR LEG)  
(3/4", 1-1/16", 1-7/16" OR 1-7/8")

NOTES:





SCALE: 1/4

NOTE: THIS CONFIGURATION LIMITS  
ACTUATOR ACCESS TO 4-1/8"  
\*CUSTOMER INIT.

