



FLEETWOOD
WINDOWS & DOORS
FleetwoodUSA.com

NORWOOD 3070EX M/S
90° OOXIX00 STANDARD CONFIG.
NO SCREENS

ORDER NO.:

ITEM NO.:

REQUIRED DEALER INFO.

A(NET FRAME WIDTH)

B(NET FRAME WIDTH)

C(NET FRAME HEIGHT)

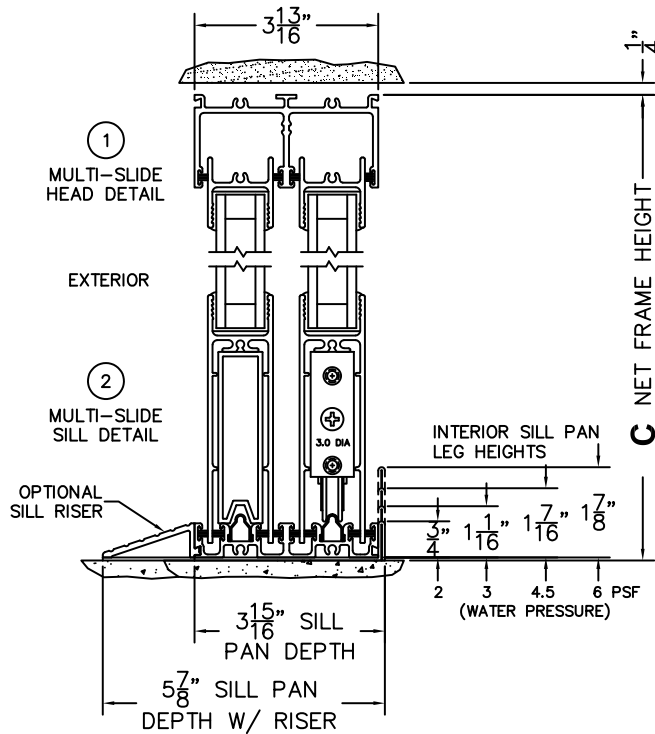
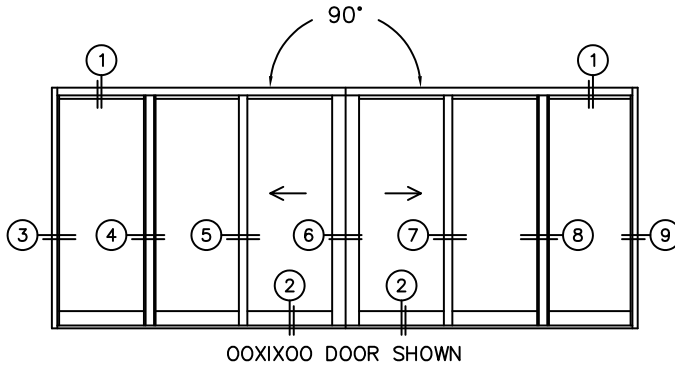
SILL PAN HEIGHT (INTERIOR LEG)
(3/4", 1-1/16", 1-7/16" OR 1-7/8")

NOTES:



(USE RULER TO SCALE DIMENSIONS IN INCHES)

SCALE: 1/4





FLEETWOOD
WINDOWS & DOORS
FleetwoodUSA.com

NORWOOD 3070EX M/S
90° OOXIX00 STANDARD CONFIG.
NO SCREENS

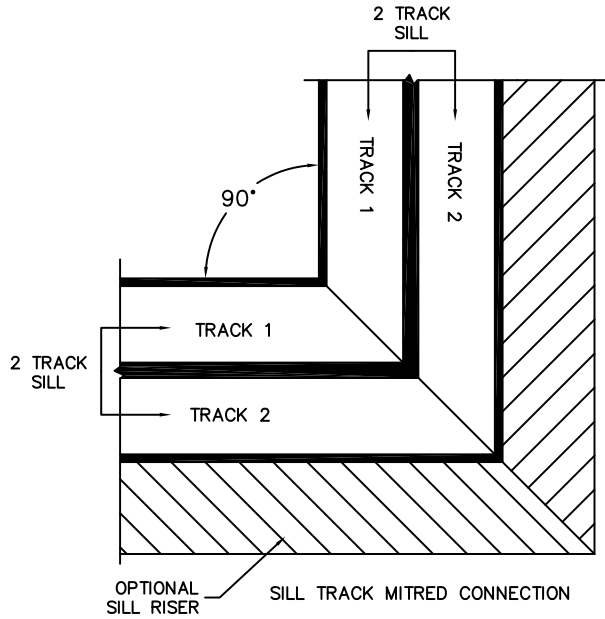
ORDER NO.:

ITEM NO.:

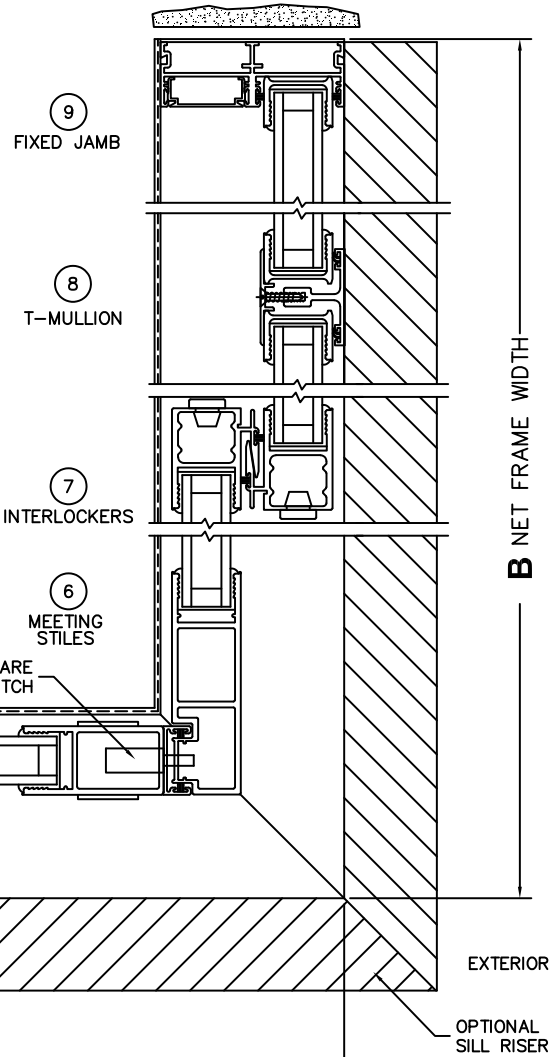


(USE RULER TO SCALE DIMENSIONS IN INCHES)

SCALE: 1/4



OPTIONAL SILL RISER SILL TRACK MITRED CONNECTION



1/4" ——— A NET FRAME WIDTH

B NET FRAME WIDTH