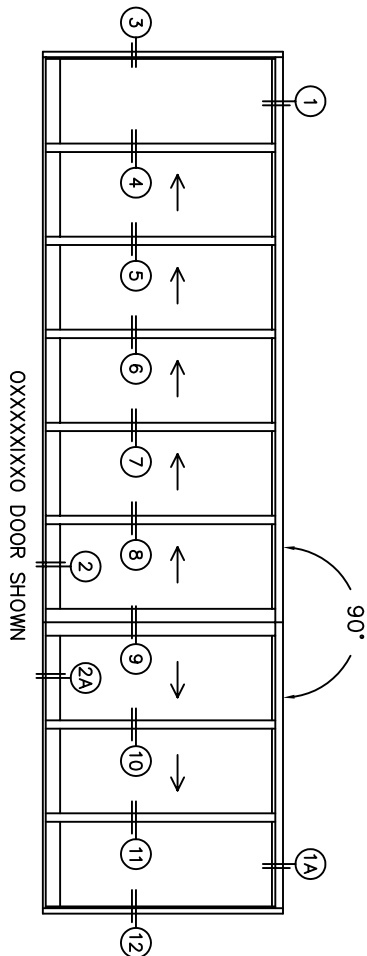


FLEETWOOD
WINDOWS & DOORS
FleetwoodUSA.com

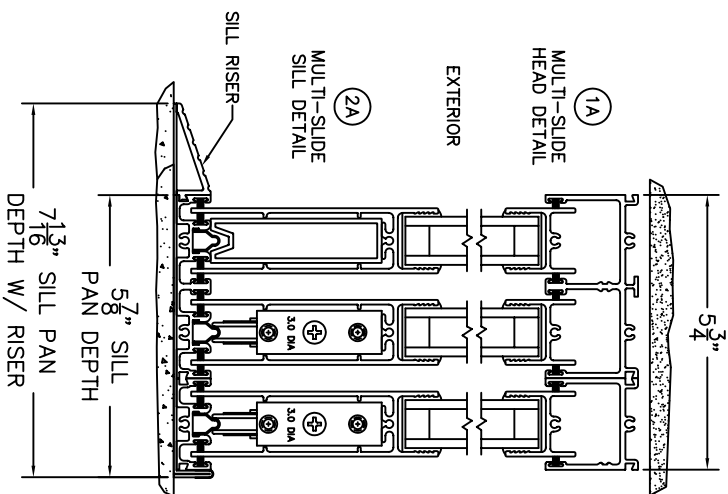
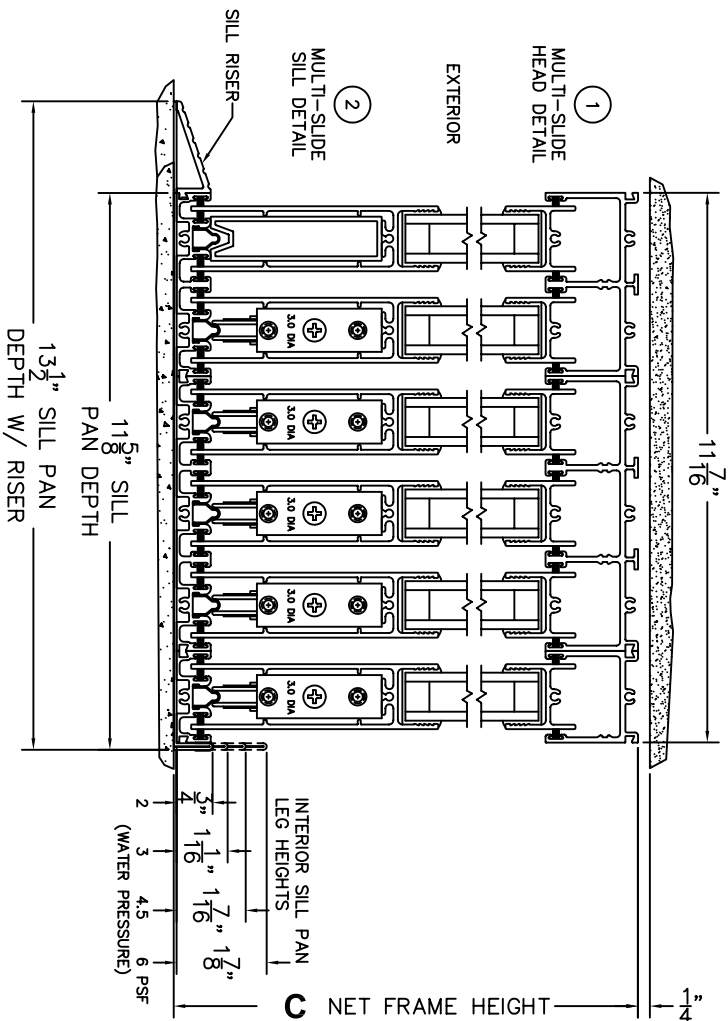
NORWOOD 3070EX M/S
90°10XXXXXXXXX STANDARD CONFIGURATION
NO SCREENS

SCALE: 1/4



ORDER NO.:	
ITEM NO.:	
REQUIRED DEALER INFO.	
A (NET FRAME WIDTH)	
B (NET FRAME WIDTH)	
C (NET FRAME HEIGHT)	
SILL PAN HEIGHT (INTERIOR LEG) (3/4", -1-1/16", -1-7/16" OR 1-7/8")	

NOTES:





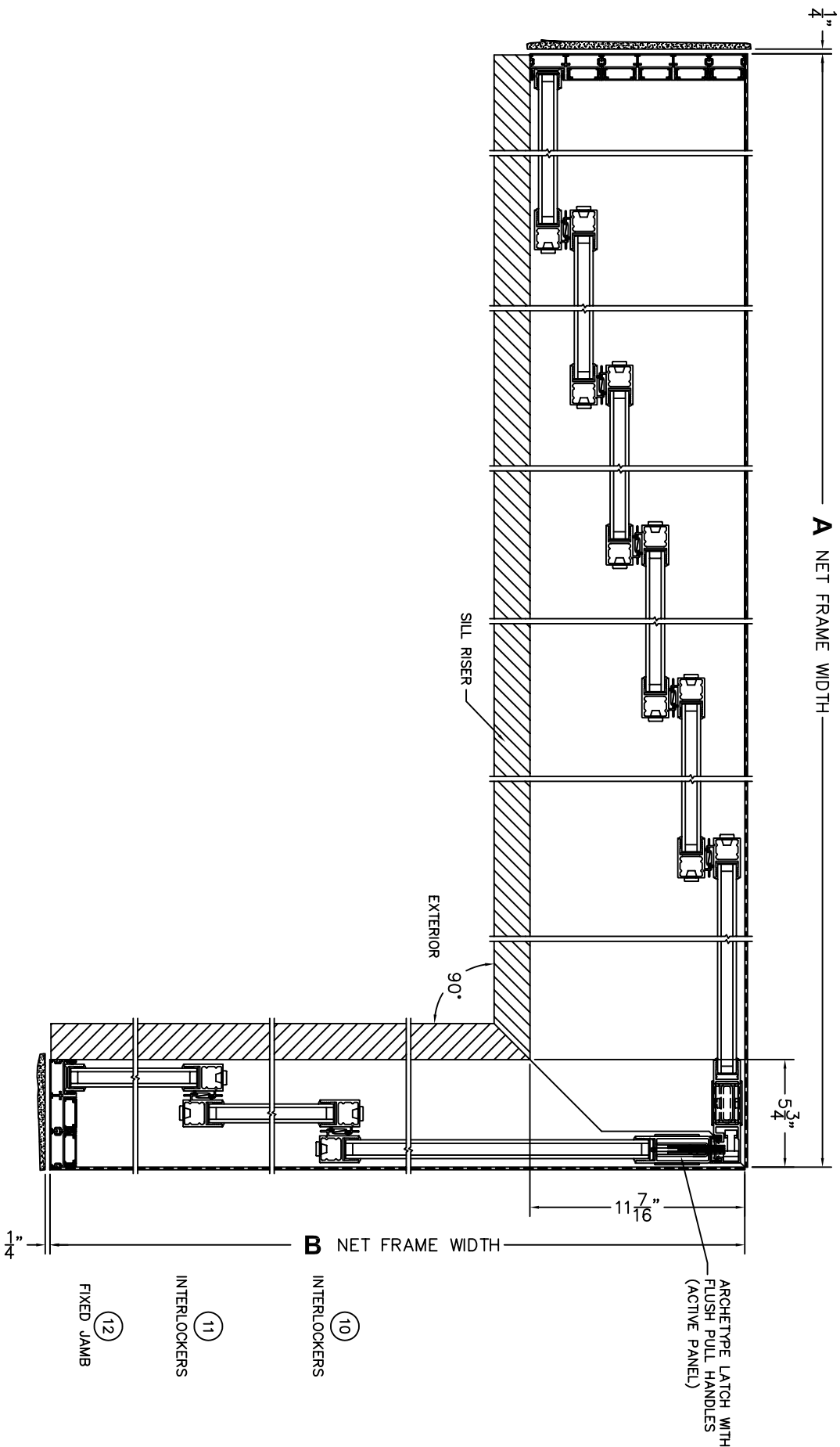
FLEETWOOD
 WINDOWS & DOORS
 FleetwoodUSA.com

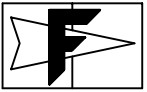
NORWOOD 3070EX M/S
 90°10XXXXXXXXXO STANDARD CONFIGURATION
 NO SCREENS

ORDER NO.:
 ITEM NO.:

SCALE: 1/8

- (3) FIXED JAMB
- (4) INTERLOCKERS
- (5) INTERLOCKERS
- (6) INTERLOCKERS
- (7) INTERLOCKERS
- (8) INTERLOCKERS
- (9) MEETING STILES





FLEETWOOD
WINDOWS & DOORS
FleetwoodUSA.com

NORWOOD 3070EX M/S
90°IOXXXXXIXO STANDARD CONFIGURATION
NO SCREENS

ORDER NO.:

ITEM NO.:

SCALE: 1/4

