

**FLEETWOOD**  
WINDOWS & DOORS  
FleetwoodUSA.com

**NORWOOD 3070EX M/S**  
90°IOXXXXIXXO STANDARD CONFIGURATION  
NO SCREENS

ORDER NO.:

ITEM NO.:

REQUIRED DEALER INFO.

**A** (NET FRAME WIDTH)

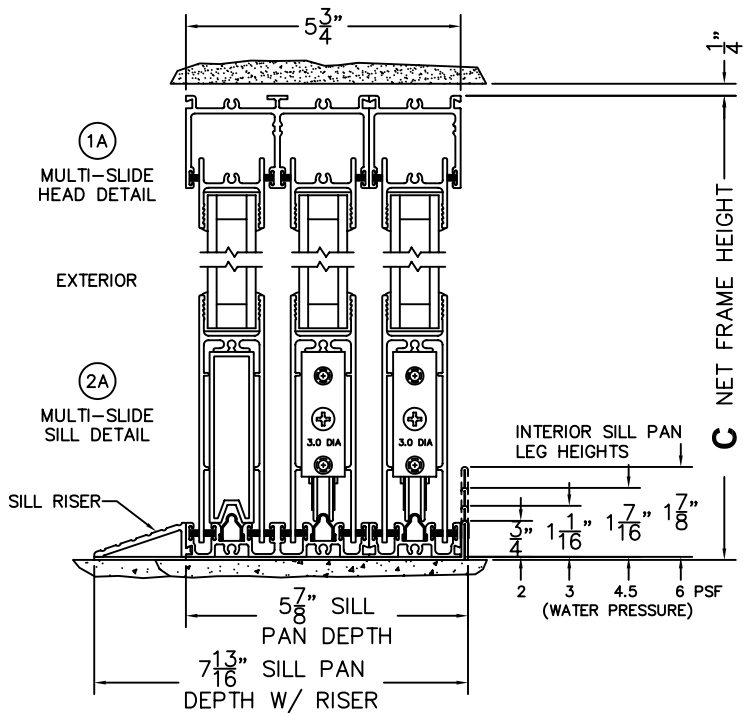
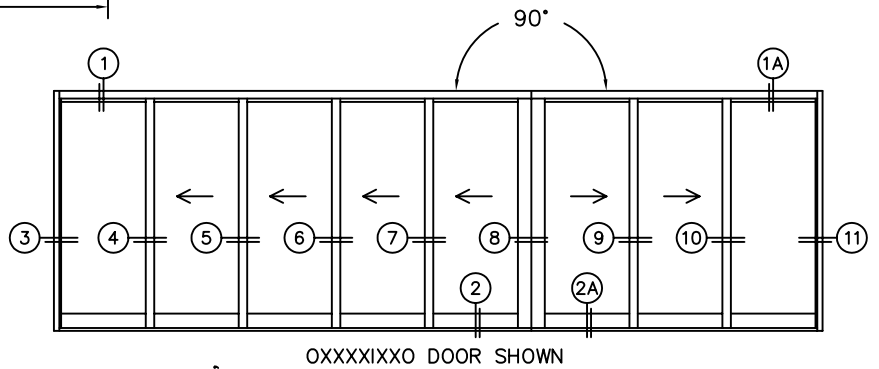
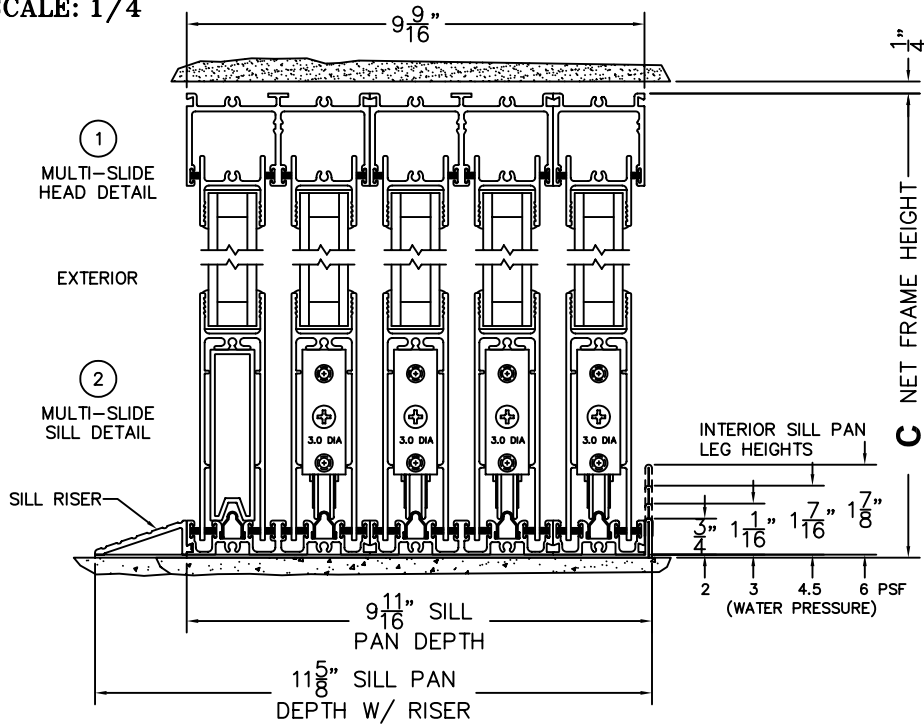
**B** (NET FRAME WIDTH)

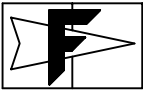
**C** (NET FRAME HEIGHT)

SILL PAN HEIGHT (INTERIOR LEG)  
(3/4", 1-1/16", 1-7/16" OR 1-7/8")

NOTES:

SCALE: 1/4





**FLEETWOOD**  
WINDOWS & DOORS  
FleetwoodUSA.com

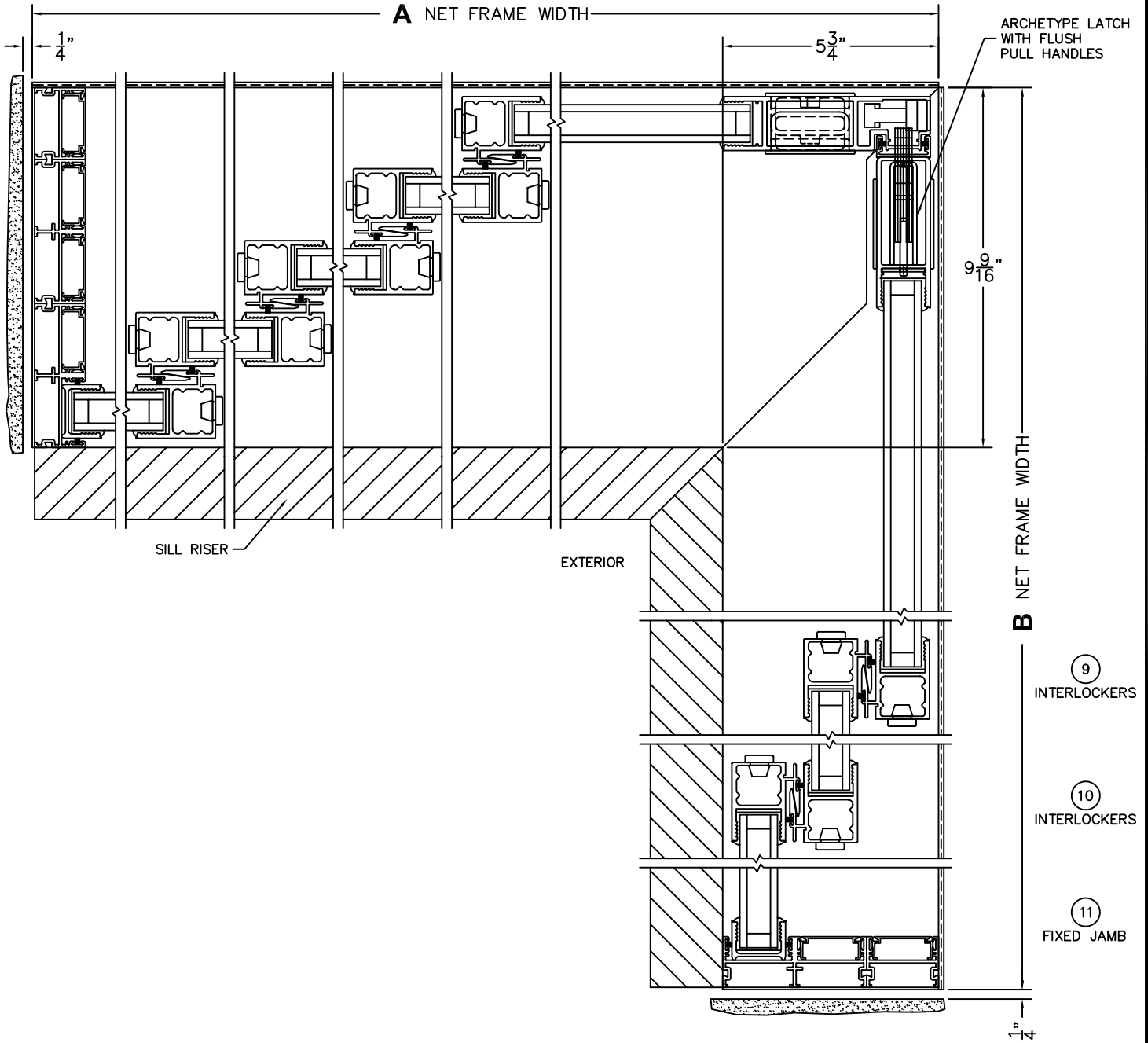
**NORWOOD 3070EX M/S**  
90°IOXXXXIXXO STANDARD CONFIGURATION  
NO SCREENS

ORDER NO.:

ITEM NO.:

SCALE: 1/4

- ③  
FIXED JAMB
- ④  
INTERLOCKERS
- ⑤  
INTERLOCKERS
- ⑥  
INTERLOCKERS
- ⑦  
INTERLOCKERS
- ⑧  
MEETING STILES



- ⑨  
INTERLOCKERS
- ⑩  
INTERLOCKERS
- ⑪  
FIXED JAMB