



**FLEETWOOD**  
WINDOWS & DOORS  
FleetwoodUSA.com

**NORWOOD 3070EX M/S**  
**90°I OXXIXXO CUSTOM CONFIG.**  
**NO SCREENS**

ORDER NO.:

ITEM NO.:

REQUIRED DEALER INFO.

**A**(NET FRAME WIDTH)

**B**(NET FRAME WIDTH)

**C**(NET FRAME HEIGHT)

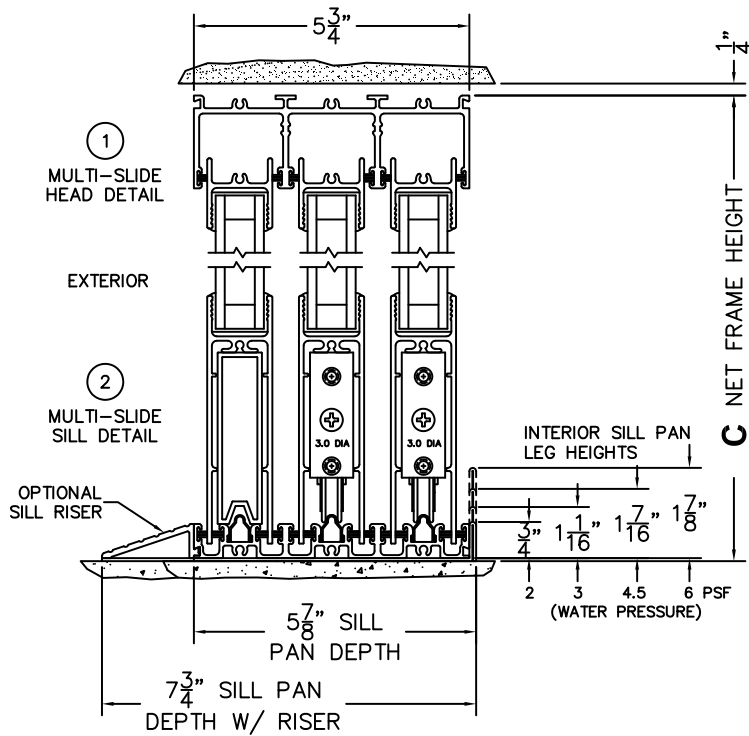
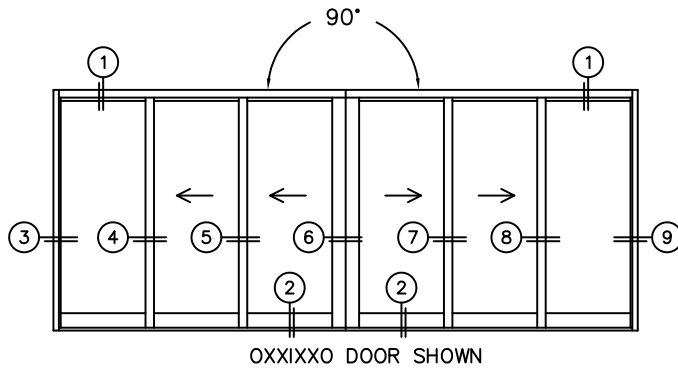
SILL PAN HEIGHT(INTERIOR LEG)  
(3/4", 1-1/16", 1-7/16" OR 1-7/8")

NOTES:



(USE RULER TO SCALE DIMENSIONS IN INCHES)

SCALE: 1/4



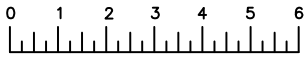


**FLEETWOOD**  
WINDOWS & DOORS  
FleetwoodUSA.com

**NORWOOD 3070EX M/S**  
90°IOXXIXXO CUSTOM CONFIG.  
NO SCREENS

ORDER NO.:

ITEM NO.:



(USE RULER TO SCALE DIMENSIONS IN INCHES)

SCALE: 1/4

