

ORDER NO.:

ITEM NO.:

REQUIRED DEALER INFO.

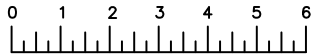
A (NET FRAME WIDTH)

B (NET FRAME WIDTH)

C (NET FRAME HEIGHT)

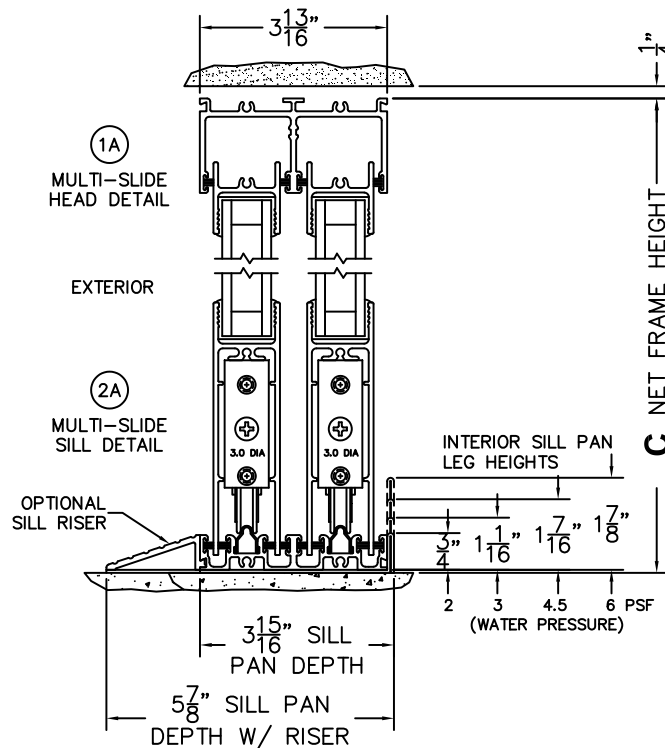
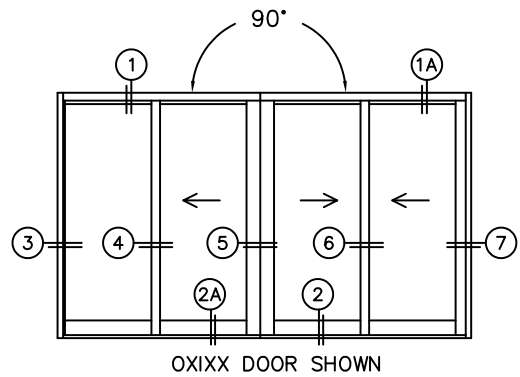
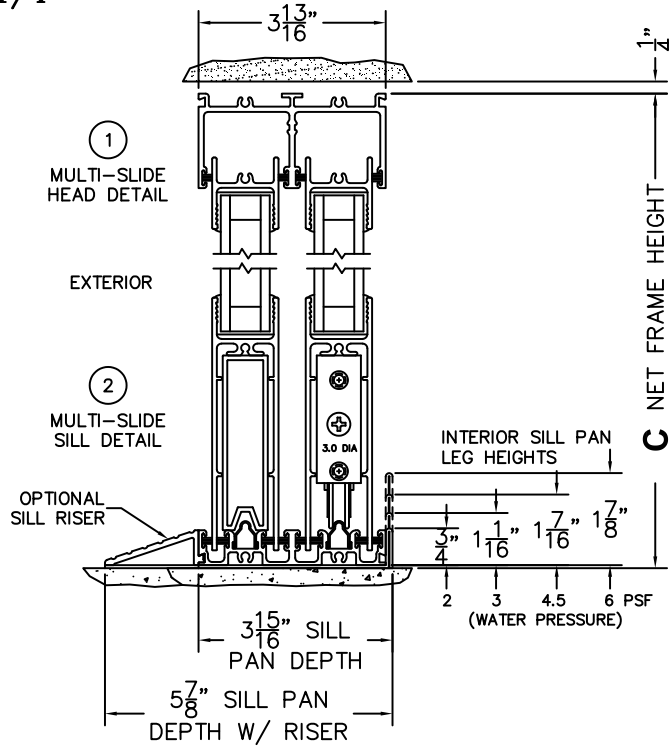
SILL PAN HEIGHT (INTERIOR LEG)
(3/4", 1-1/16", 1-7/16" OR 1-7/8")

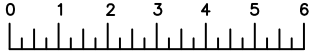
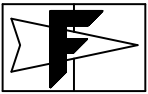
NOTES:



(USE RULER TO SCALE DIMENSIONS IN INCHES)

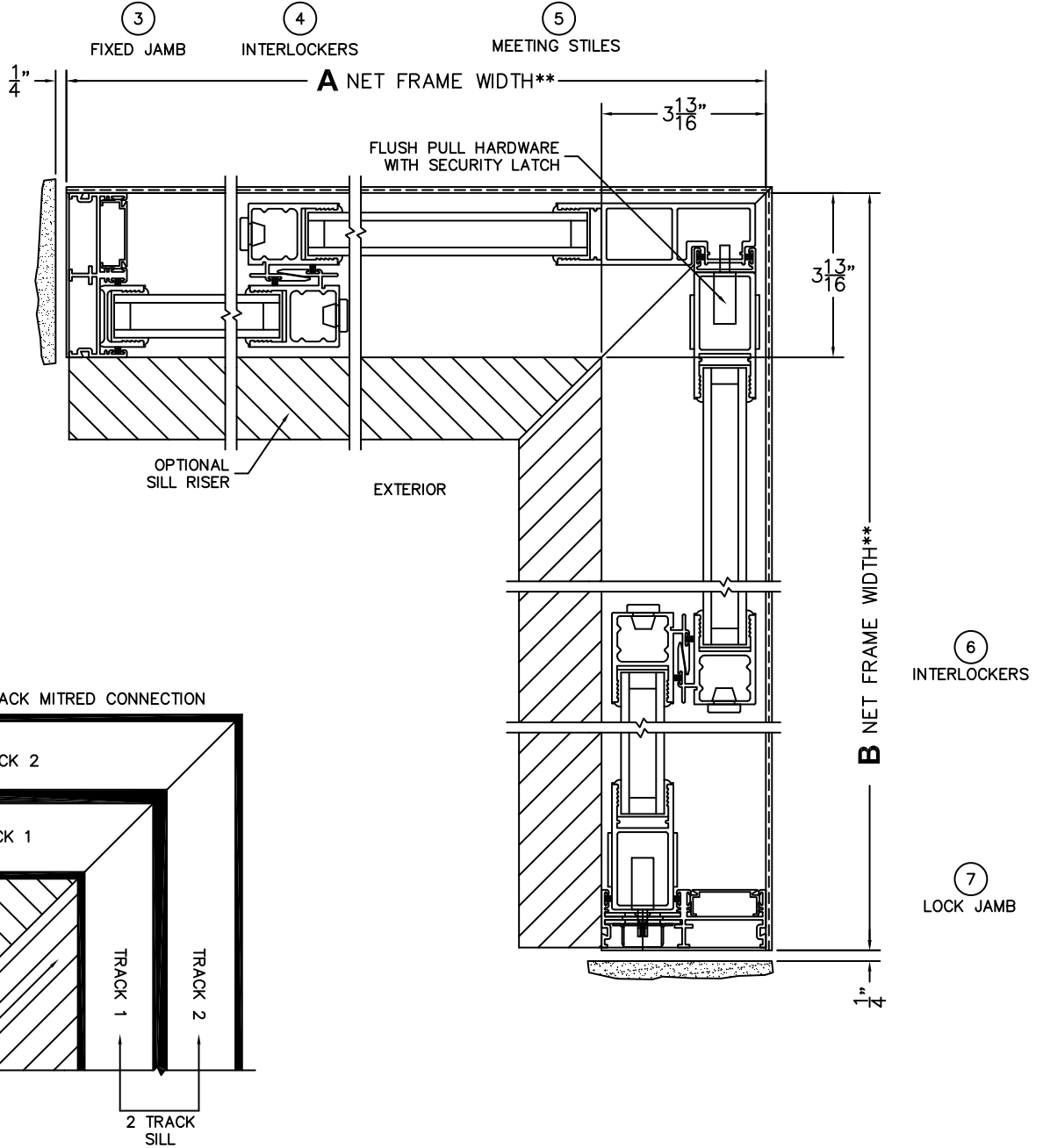
SCALE: 1/4





(USE RULER TO SCALE DIMENSIONS IN INCHES)

SCALE: 1/4



**NOTE: DAYLIGHT WIDTH IS MEASURED FROM THE INSIDE CORNER TRACK.