



FLEETWOOD
WINDOWS & DOORS
FleetwoodUSA.com

NORWOOD 3070EX M/S
60°OXXXXIXO CUSTOM CONFIGURATION
NO SCREENS

ORDER NO.:

ITEM NO.:

SCALE: 1/4

REQUIRED DEALER INFO.

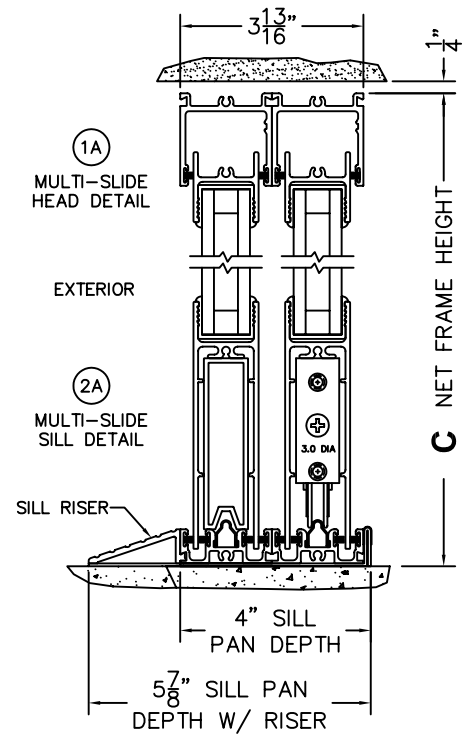
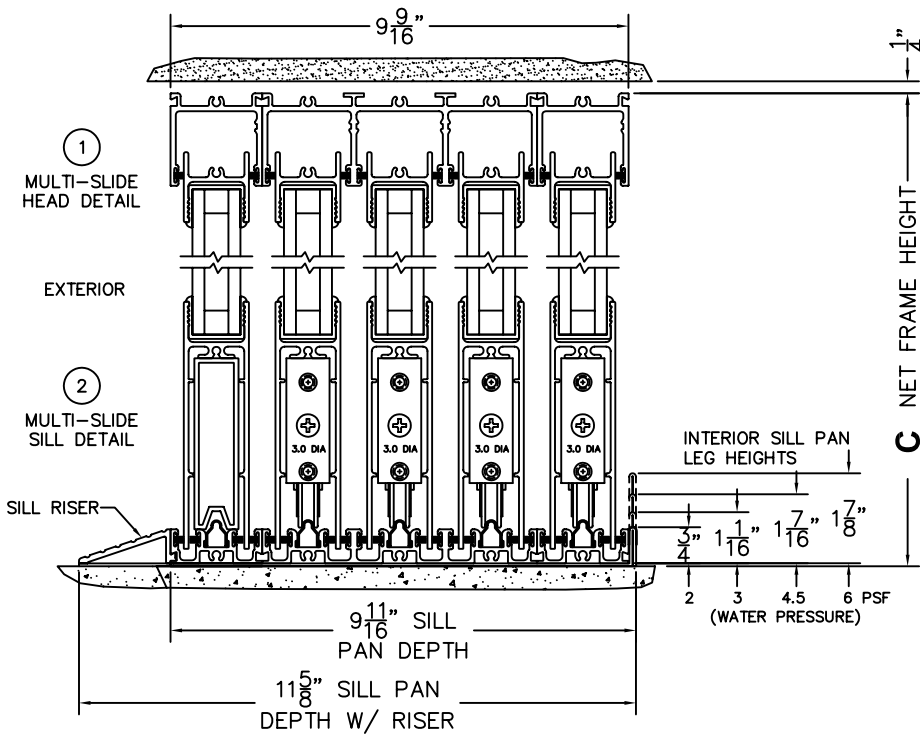
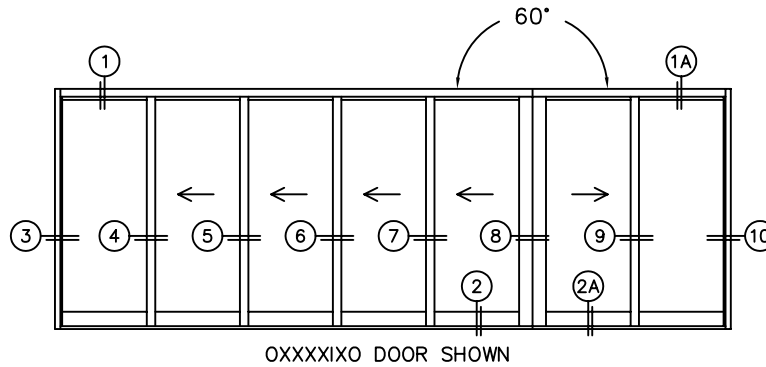
A(NET FRAME WIDTH)

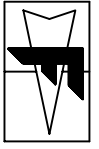
B(NET FRAME WIDTH)

C(NET FRAME HEIGHT)

SILL PAN HEIGHT(INTERIOR LEG)
(3/4", 1-1/16", 1-7/16" OR 1-7/8")

NOTES:





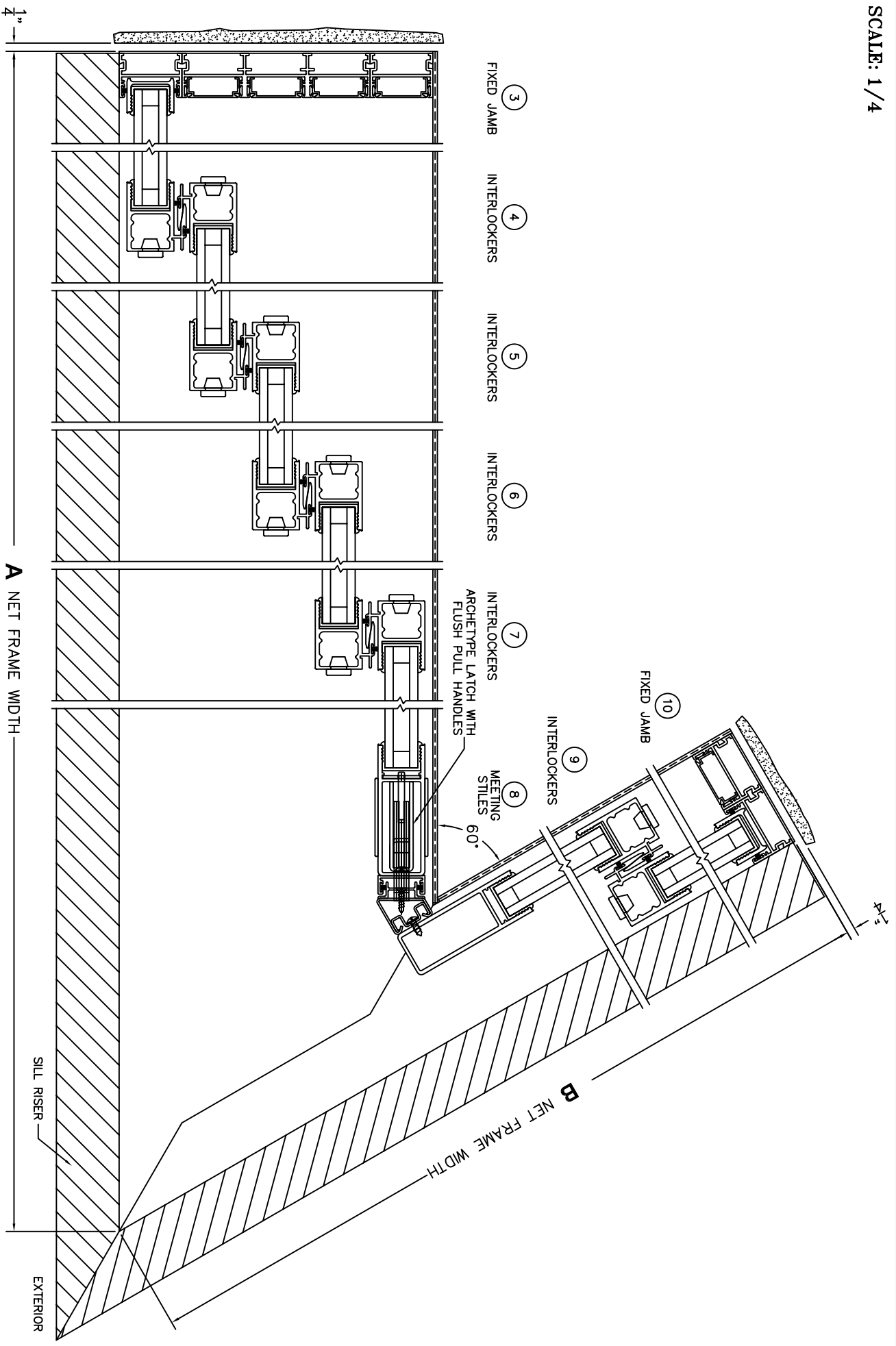
FLEETWOOD
 WINDOWS & DOORS
 FleetwoodUSA.com

NORWOOD 3070EX M/S
 60°0XXXXXIO CUSTOM CONFIGURATION
 NO SCREENS

SCALE: 1/4"

ORDER NO.:

ITEM NO.:

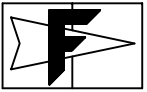


DWG NO.: 3070-EX-60-0XXXXXIO-NS0-IS-MS-STI-HF-DN-AN

SHEET: 2 OF 3

CUSTOMER SIGNATURE

DATE:



FLEETWOOD
WINDOWS & DOORS
FleetwoodUSA.com

NORWOOD 3070EX M/S
60°OXXXXIXO CUSTOM CONFIGURATION
NO SCREENS

ORDER NO.:

ITEM NO.:

SCALE: 1/4

