



**FLEETWOOD**  
WINDOWS & DOORS  
FleetwoodUSA.com

**NORWOOD 3070EX M/S**  
**60°OXXXIXP STANDARD CONFIG.**  
**NO SCREENS**

ORDER NO.:

ITEM NO.:

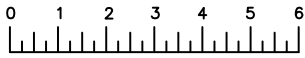
REQUIRED DEALER INFO.

<b>A</b> (NET FRAME WIDTH)	
<b>B</b> (DAYLIGHT WIDTH)	
<b>C</b> (NET FRAME HEIGHT)	
SILL PAN HEIGHT(INTERIOR LEG)	(3/4", 1-1/16", 1-7/16" OR 1-7/8")

CALCULATED VALUES (FLEETWOOD SUPPLIED)

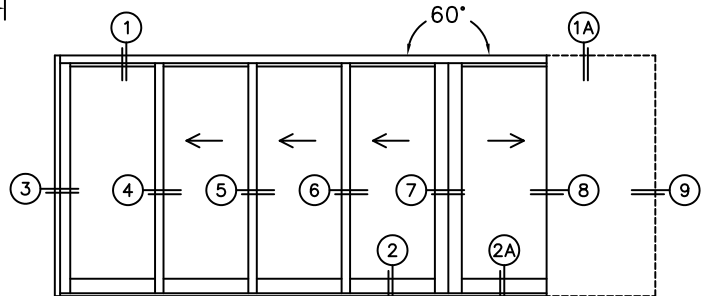
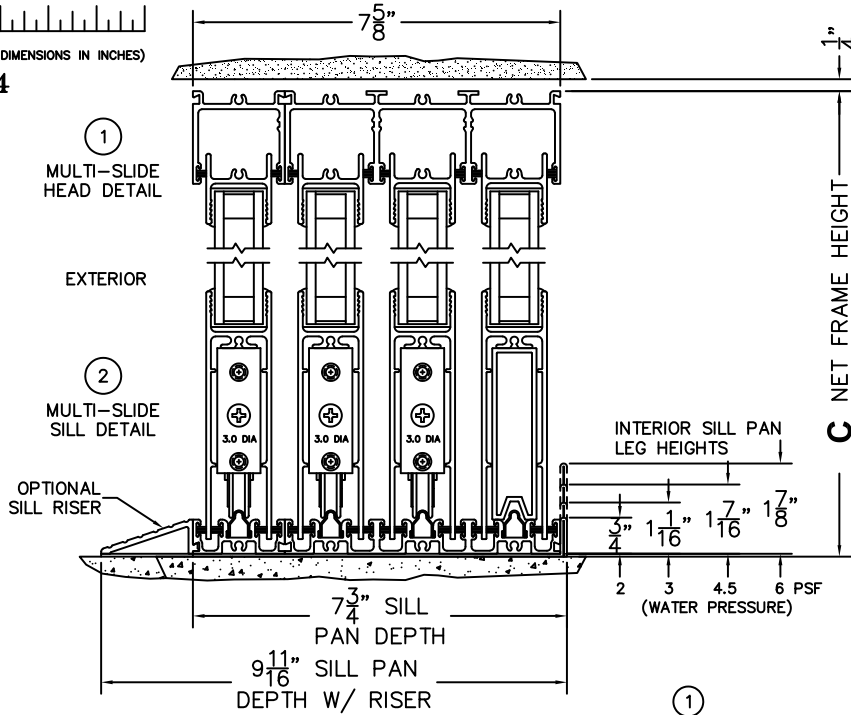
<b>D</b> (POCKET WIDTH)	
<b>E</b> (NET FRAME WIDTH)	

NOTES:

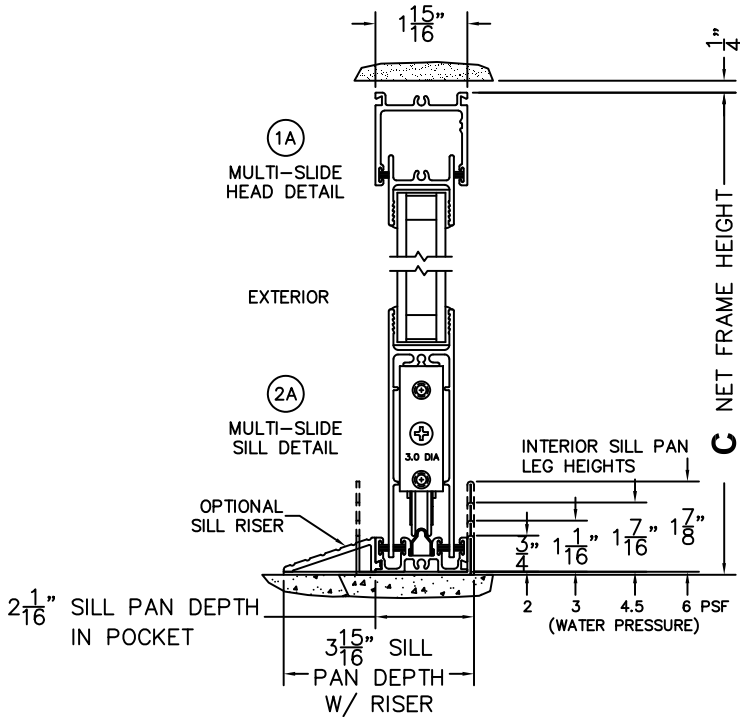


(USE RULER TO SCALE DIMENSIONS IN INCHES)

SCALE: 1/4



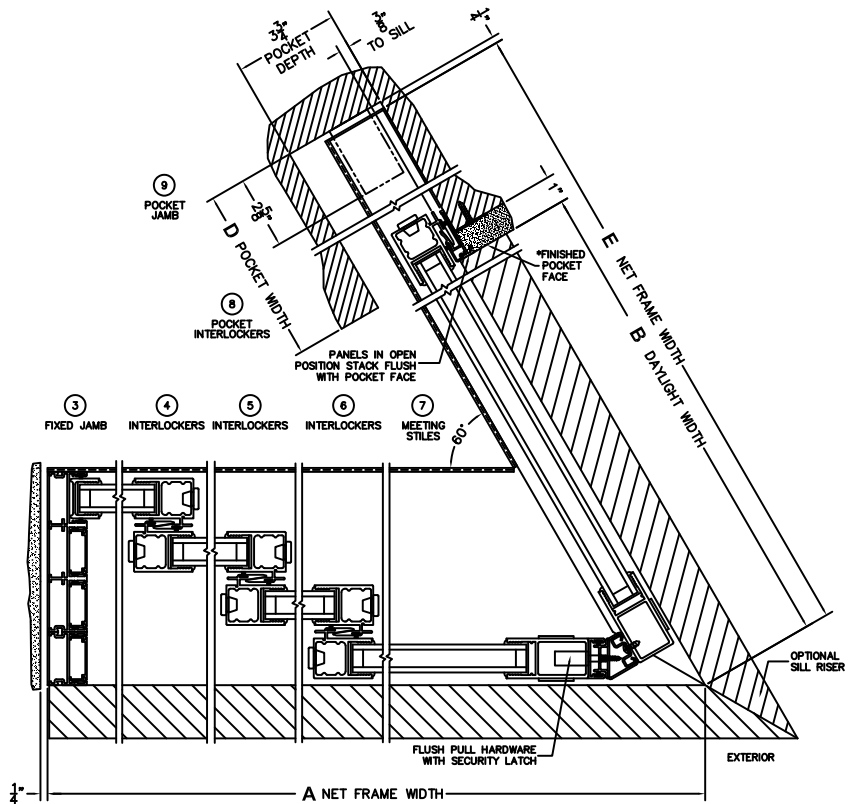
OXXXIXP DOOR SHOWN



0 1 2 3 4 5 6

(USE RULER TO SCALE DIMENSIONS IN INCHES)

SCALE: 1/4



\*CAUTION: WHEN CONSTRUCTING POCKET NOTE THAT DAYLIGHT WIDTH DOES NOT INCLUDE 1" SET BACK FOR POST INTERLOCKER.



**FLEETWOOD**  
WINDOWS & DOORS  
FleetwoodUSA.com

**NORWOOD 3070EX M/S**  
**60°OXXXIP STANDARD CONFIG.**  
**NO SCREENS**

ORDER NO.:

ITEM NO.:



(USE RULER TO SCALE DIMENSIONS IN INCHES)

SCALE: 1/4

