

FLEETWOOD
WINDOWS & DOORS
FleetwoodUSA.com

NORWOOD 3070EX M/S
45°OXIXXO CUSTOM CONFIGURATION
WITH SCREENS

ORDER NO.:

ITEM NO.:

REQUIRED DEALER INFO.

A(NET FRAME WIDTH)

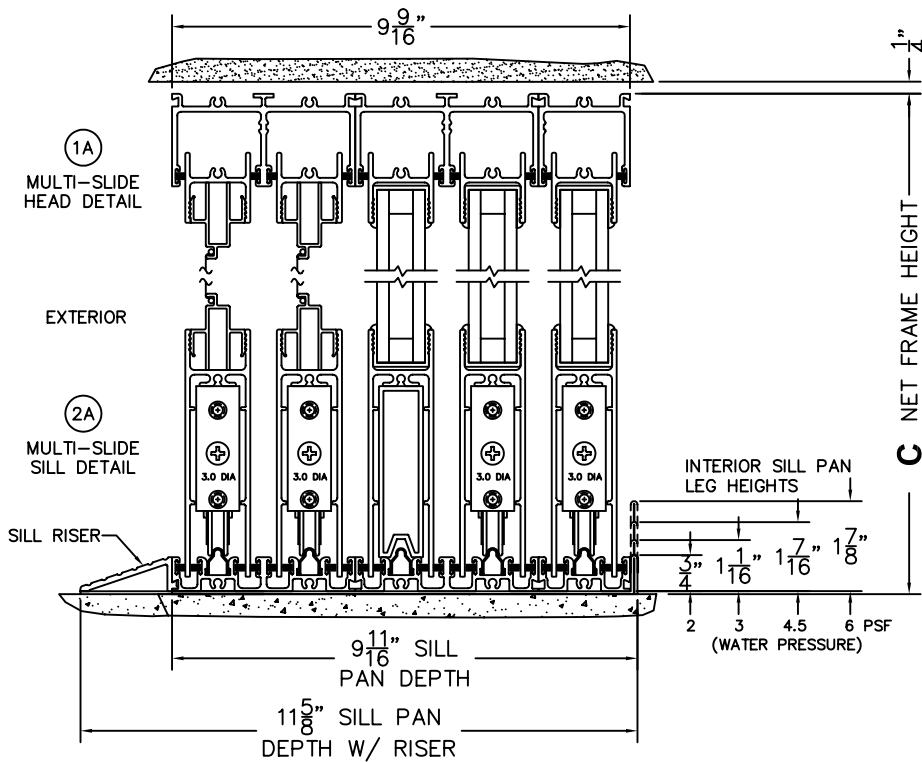
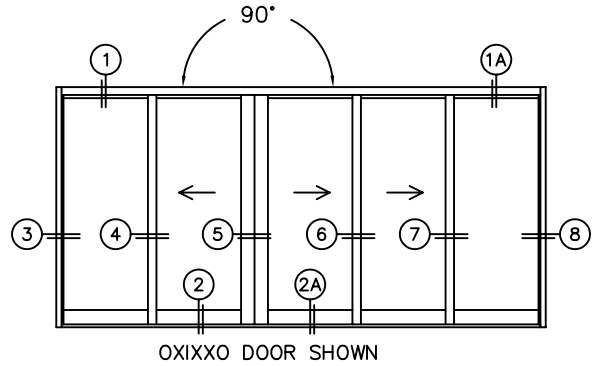
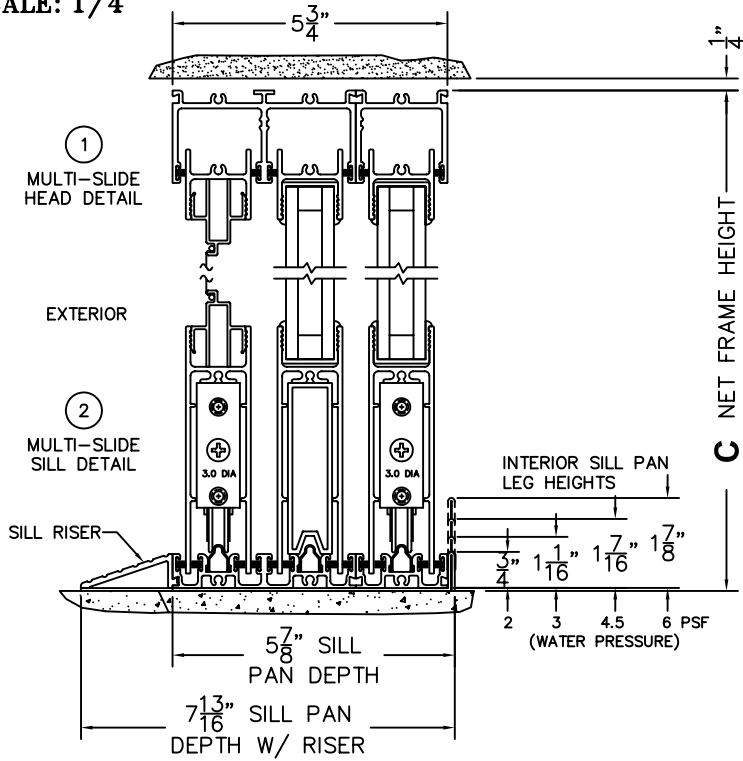
B(NET FRAME WIDTH)

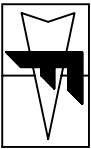
C(NET FRAME HEIGHT)

SILL PAN HEIGHT(INTERIOR LEG)
(3/4", 1-1/16", 1-7/16" OR 1-7/8")

NOTES:

SCALE: 1/4





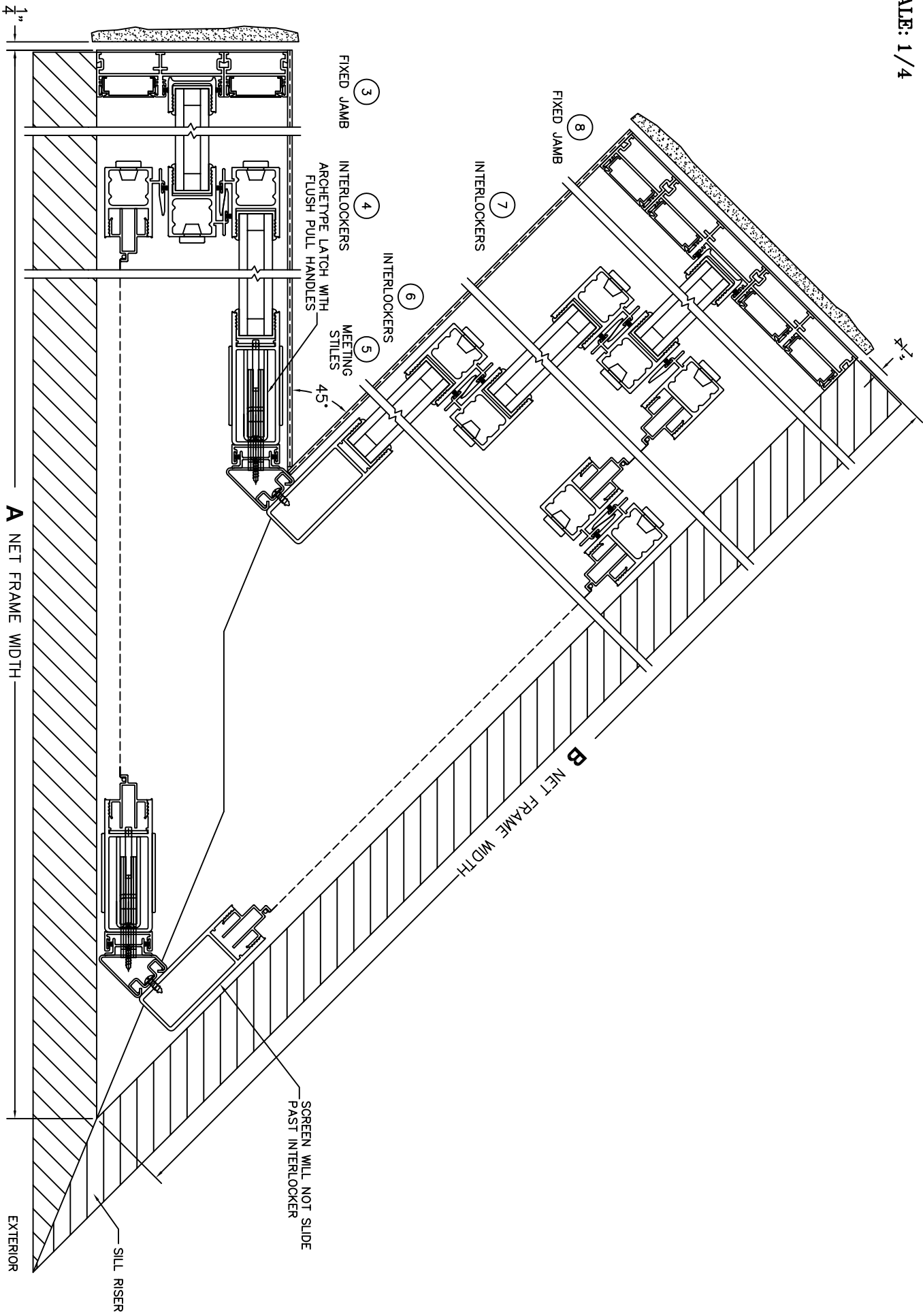
FLEETWOOD
 WINDOWS & DOORS
 FleetwoodUSA.com

NORWOOD 3070EX M/S
 45° 0X1XXO CUSTOM CONFIGURATION
 WITH SCREENS

ORDER NO.:

ITEM NO.:

SCALE: 1/4

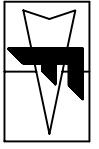


DWG NO.: 3070-EX-45-0X1XXO-SE3-IS-MS-STI-HF-DN-AN

SHEET: 2 OF 3

CUSTOMER SIGNATURE

DATE:



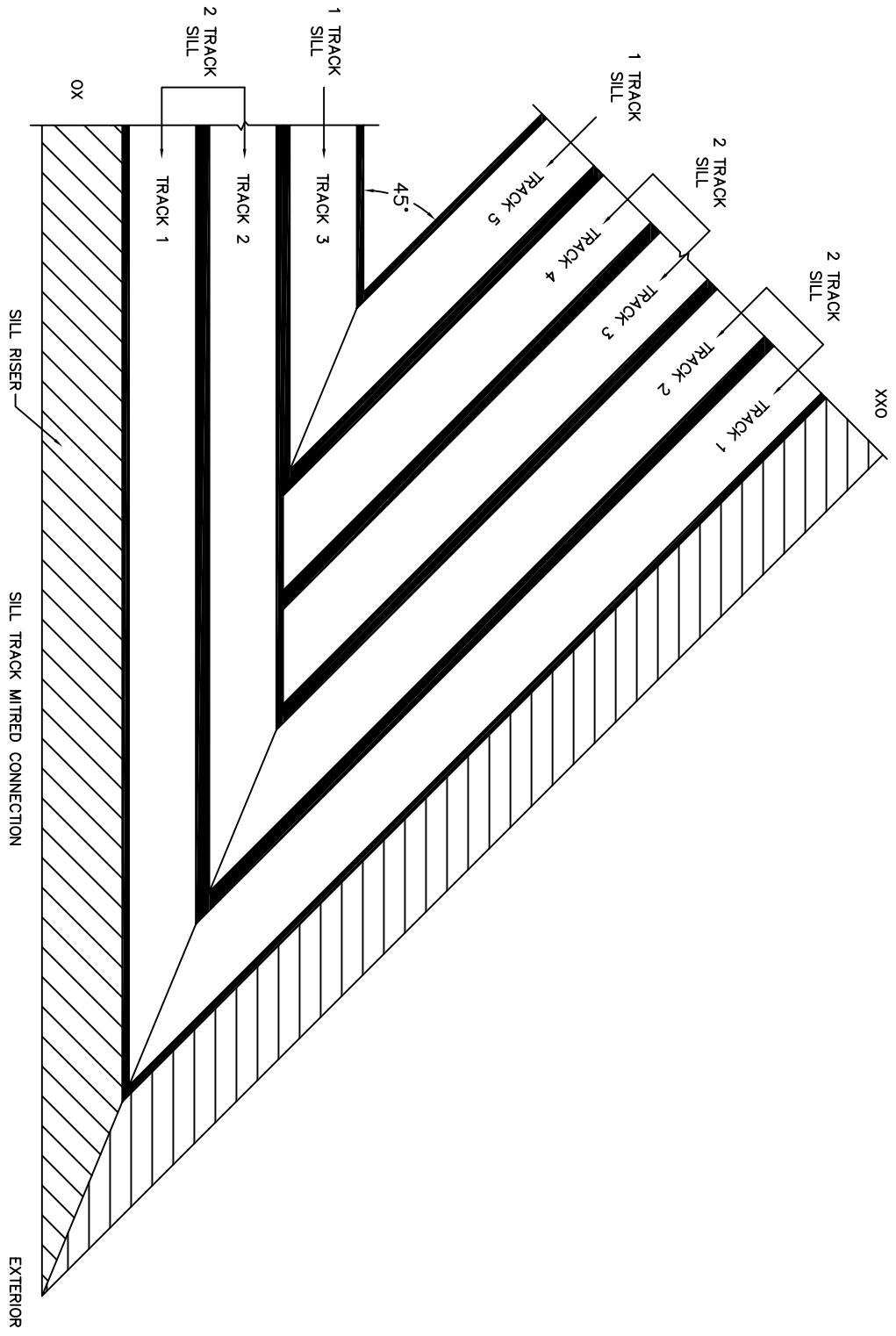
FLEETWOOD
 WINDOWS & DOORS
 FleetwoodUSA.com

NORWOOD 3070EX M/S
 45°OXIXXO CUSTOM CONFIGURATION
 WITH SCREENS

ORDER NO.:

ITEM NO.:

SCALE: 1/4



CUSTOMER
SIGNATURE

DATE: