



**FLEETWOOD**  
WINDOWS & DOORS  
FleetwoodUSA.com

**NORWOOD 3070EX M/S**  
**153°PXXXIXXP CUSTOM CONFIG.**  
**NO SCREENS**

ORDER NO.:

ITEM NO.:

REQUIRED DEALER INFO.

**A**(DAYLIGHT WIDTH)

**B**(DAYLIGHT WIDTH)

**C**(NET FRAME HEIGHT)

SILL PAN HEIGHT(INTERIOR LEG)  
(3/4", 1-1/16", 1-7/16" OR 1-7/8")

CALCULATED VALUES (FLEETWOOD SUPPLIED)

**D**(POCKET WIDTH)

**E**(NET FRAME WIDTH)

**F**(POCKET WIDTH)

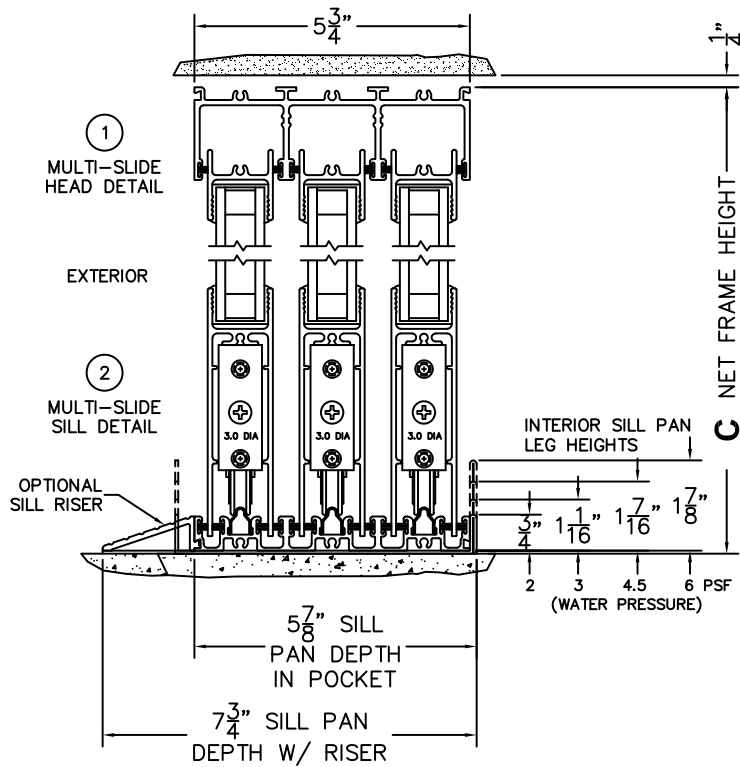
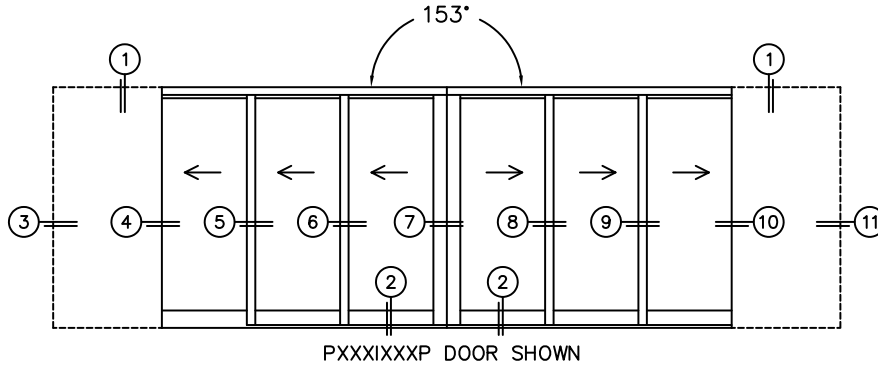
**G**(NET FRAME WIDTH)

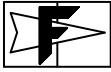
NOTES:



(USE RULER TO SCALE DIMENSIONS IN INCHES)

SCALE: 1/4



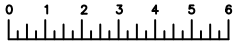


**FLEETWOOD**  
WINDOWS & DOORS  
FleetwoodUSA.com

**NORWOOD 3070EX M/S**  
153°PXXXIXXP CUSTOM CONFIG.  
NO SCREENS

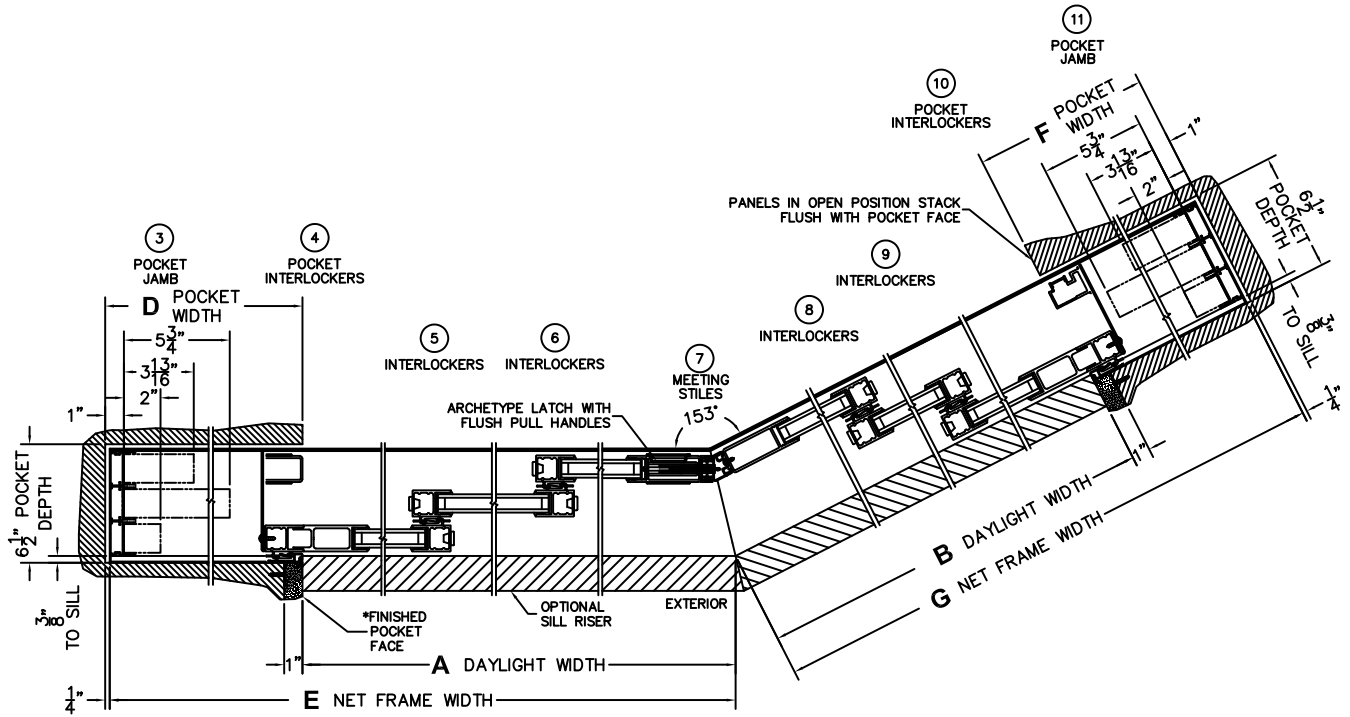
ORDER NO.:

ITEM NO.:



(USE RULER TO SCALE DIMENSIONS IN INCHES)

SCALE: 1/8



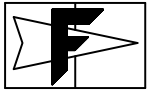
\*CAUTION: WHEN CONSTRUCTING POCKET NOTE THAT DAYLIGHT WIDTH DOES NOT INCLUDE 1" SET BACK FOR POST INTERLOCKER.

DWG NO.: 3070-EX-90PXXXXXOP-NSD-IS-MS-STI-HF-DW-AN-PE3-PJY-P12-S2

SHEET: 2 OF 3

CUSTOMER SIGNATURE

DATE:

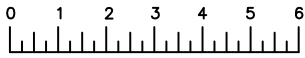


**FLEETWOOD**  
WINDOWS & DOORS  
FleetwoodUSA.com

**NORWOOD 3070EX M/S**  
**153°PXXXIXXXP CUSTOM CONFIG.**  
**NO SCREENS**

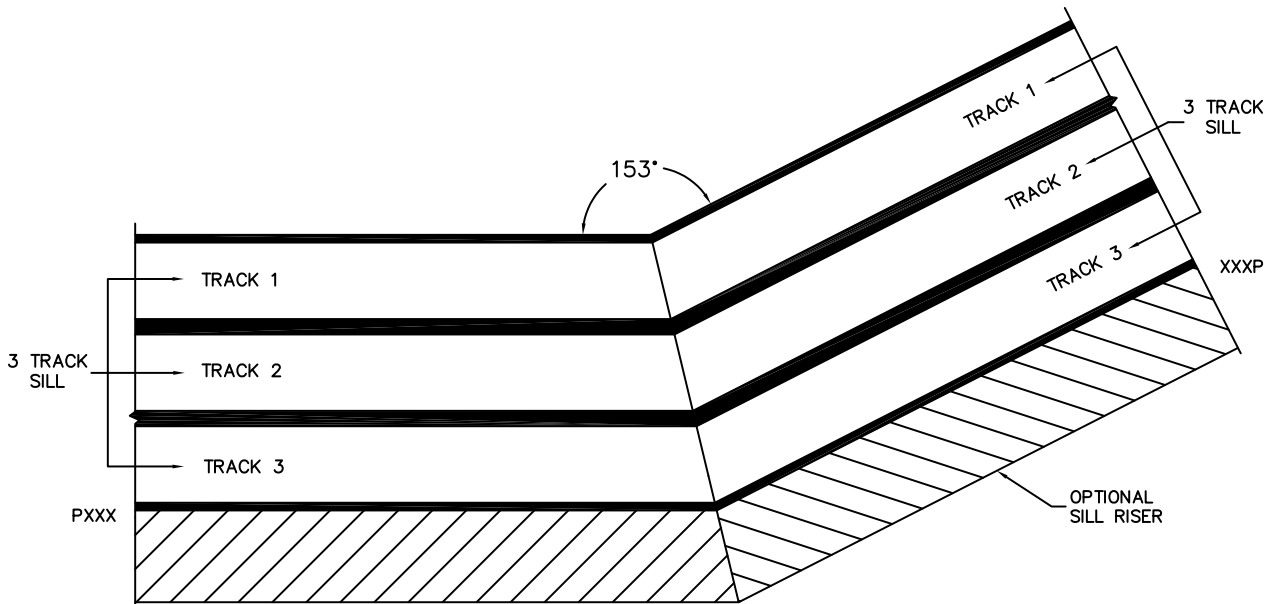
ORDER NO.:

ITEM NO.:



(USE RULER TO SCALE DIMENSIONS IN INCHES)

**SCALE: 1/4**



SILL TRACK MITRED CONNECTION