



FLEETWOOD
WINDOWS & DOORS
FleetwoodUSA.com

NORWOOD 3070EX M/S
135°PXXXIXXP STANDARD CONFIG.
WITH SCREENS

ORDER NO.:

ITEM NO.:

REQUIRED DEALER INFO.

A(DAYLIGHT WIDTH)

B(DAYLIGHT WIDTH)

C(NET FRAME HEIGHT)

SILL PAN HEIGHT(INTERIOR LEG)
(3/4", 1-1/16", 1-7/16" OR 1-7/8")

CALCULATED VALUES (FLEETWOOD SUPPLIED)

D(POCKET WIDTH)

E(NET FRAME WIDTH)

F(POCKET WIDTH)

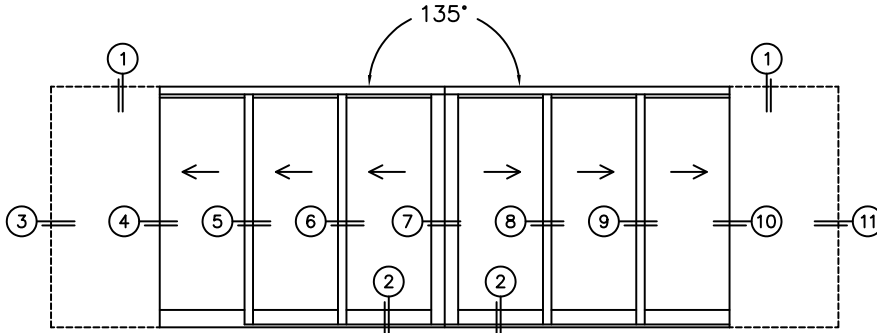
G(NET FRAME WIDTH)

NOTES:

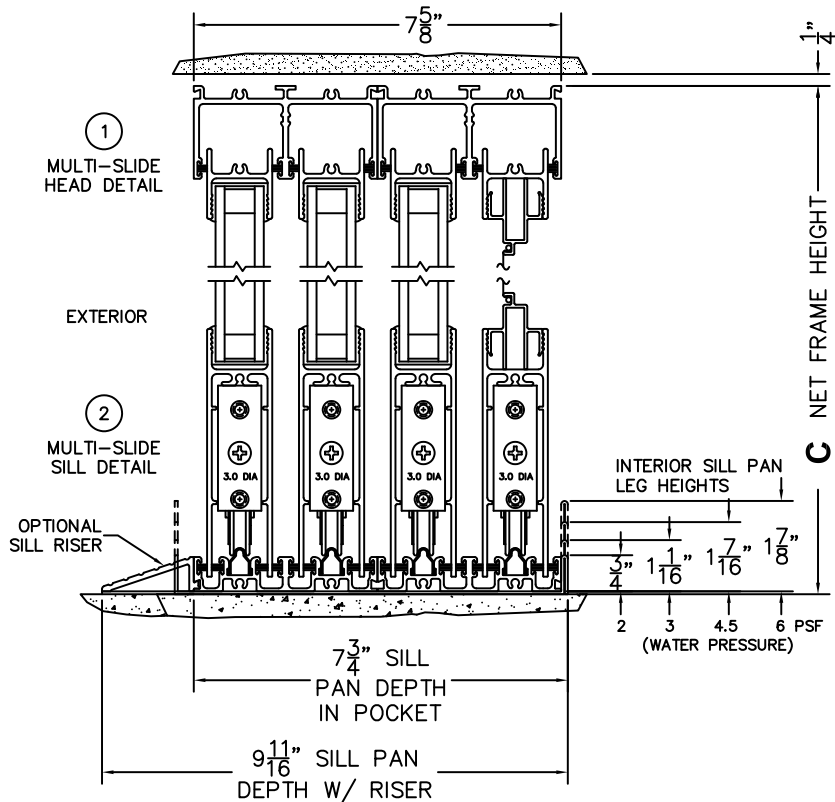


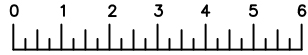
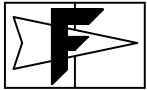
(USE RULER TO SCALE DIMENSIONS IN INCHES)

SCALE: 1/4



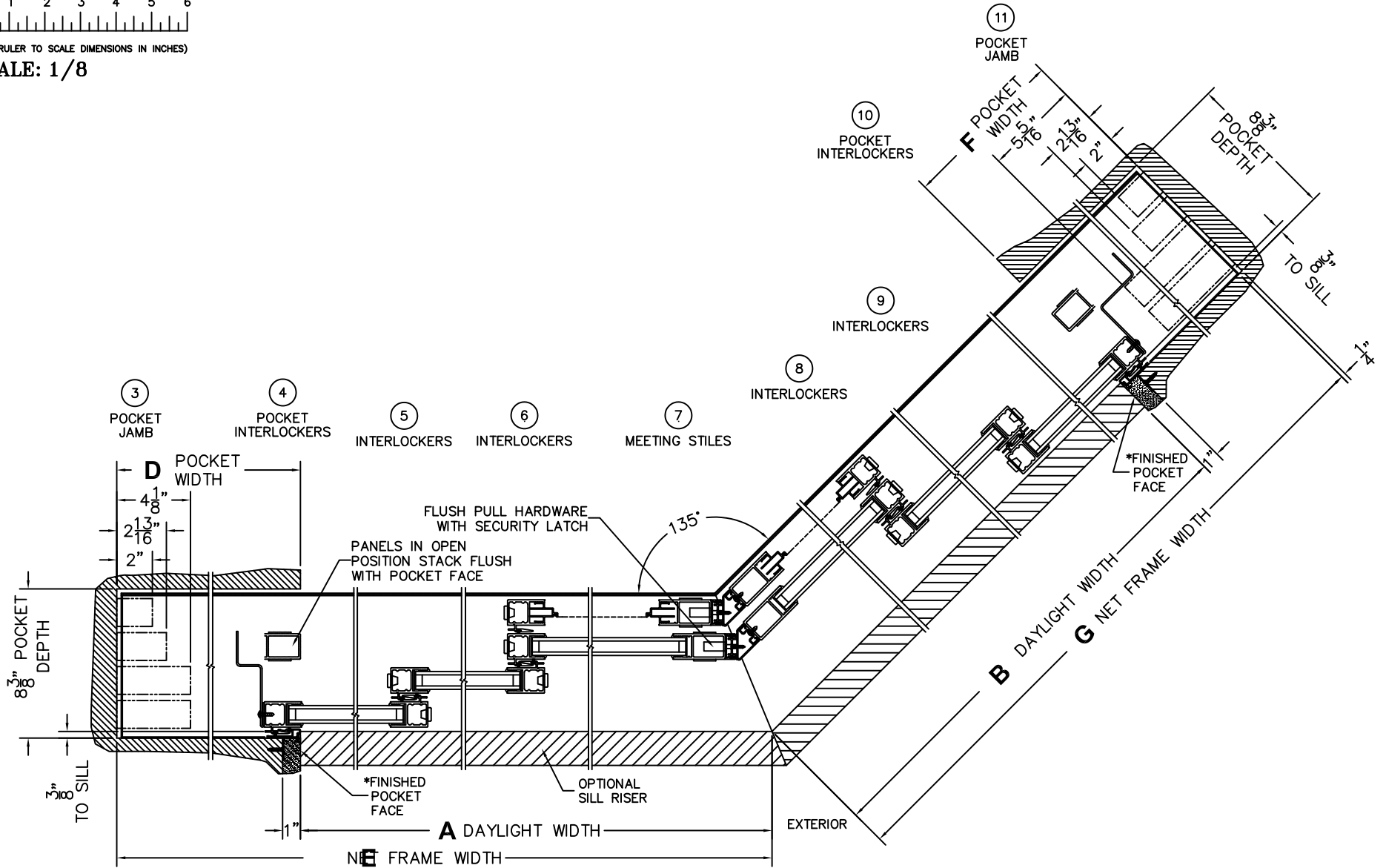
PXXXIXXP DOOR SHOWN





(USE RULER TO SCALE DIMENSIONS IN INCHES)

SCALE: 1/8



*CAUTION: WHEN CONSTRUCTING POCKET NOTE THAT DAYLIGHT WIDTH DOES NOT INCLUDE 1" SET BACK FOR POST INTERLOCKER.



FLEETWOOD
WINDOWS & DOORS
FleetwoodUSA.com

NORWOOD 3070EX M/S
135°PXXXIXXXP STANDARD CONFIG.
WITH SCREENS

ORDER NO.:

ITEM NO.:



(USE RULER TO SCALE DIMENSIONS IN INCHES)

SCALE: 1/4

