

**FLEETWOOD**  
WINDOWS & DOORS  
FleetwoodUSA.com

**NORWOOD 3070EX M/S**  
135°OXIXXP CUSTOM CONFIGURATION  
WITH SCREENS

ORDER NO.:

ITEM NO.:

SCALE: 1/4

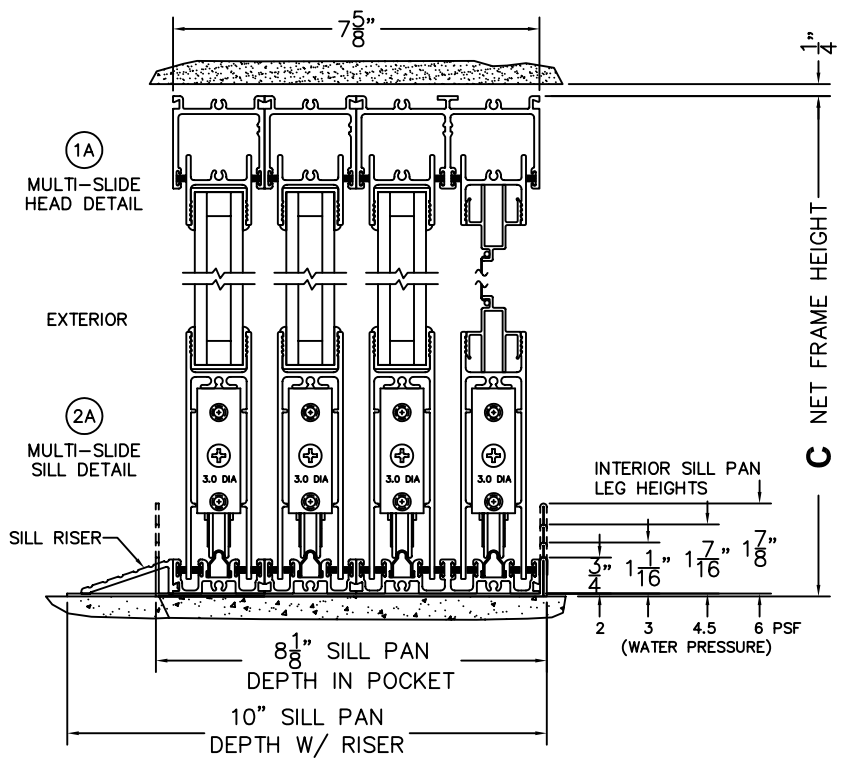
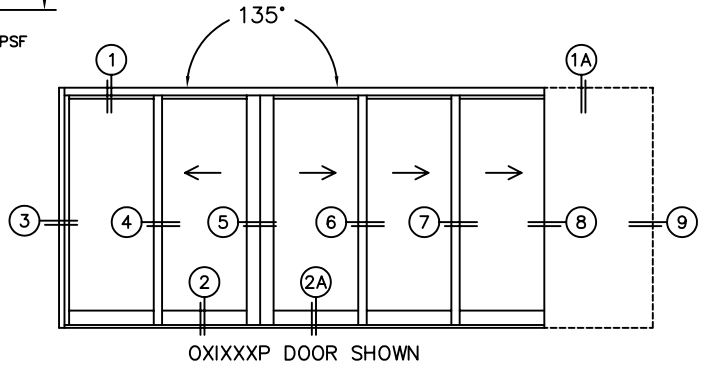
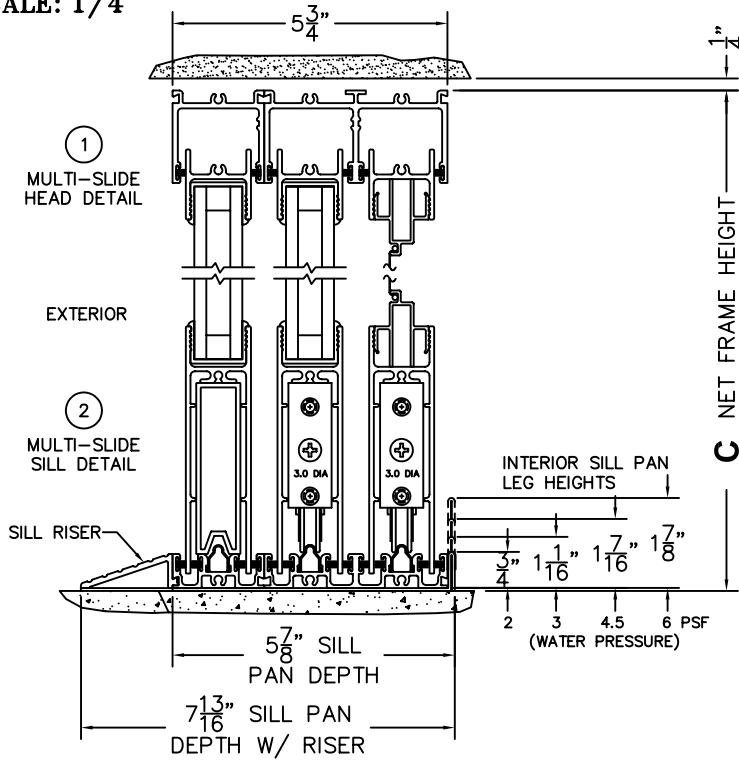
REQUIRED DEALER INFO.

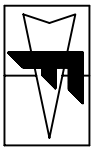
<b>A</b> (NET FRAME WIDTH)	
<b>B</b> (DAYLIGHT WIDTH)	
<b>C</b> (NET FRAME HEIGHT)	
SILL PAN HEIGHT(INTERIOR LEG)	
(3/4", 1-1/16", 1-7/16" OR 1-7/8")	

CALCULATED VALUES (FLEETWOOD SUPPLIED)

<b>D</b> (POCKET WIDTH)	
<b>E</b> (NET FRAME WIDTH)	

NOTES:



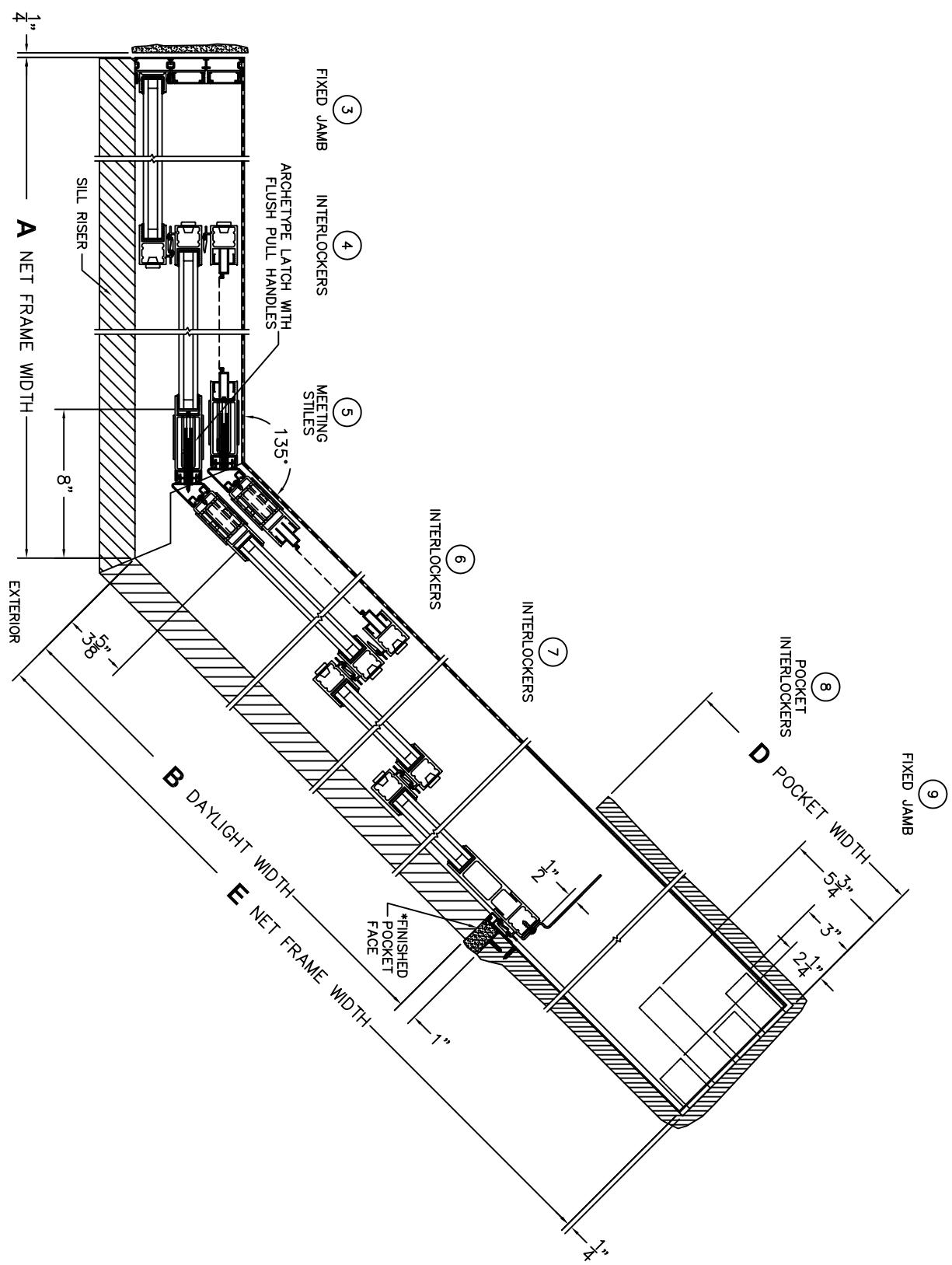


**FLEETWOOD**  
 WINDOWS & DOORS  
 FleetwoodUSA.com

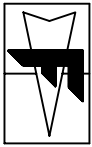
**NORWOOD 3070EX M/S**  
 135°0X1XXXXP CUSTOM CONFIGURATION  
 WITH SCREENS

ORDER NO.:  
 ITEM NO.:

SCALE: 1/8



\*CAUTION: WHEN CONSTRUCTING POCKET NOTE THAT DAYLIGHT WIDTH DOES NOT INCLUDE 1" SET BACK FOR POST INTERLOCKER.



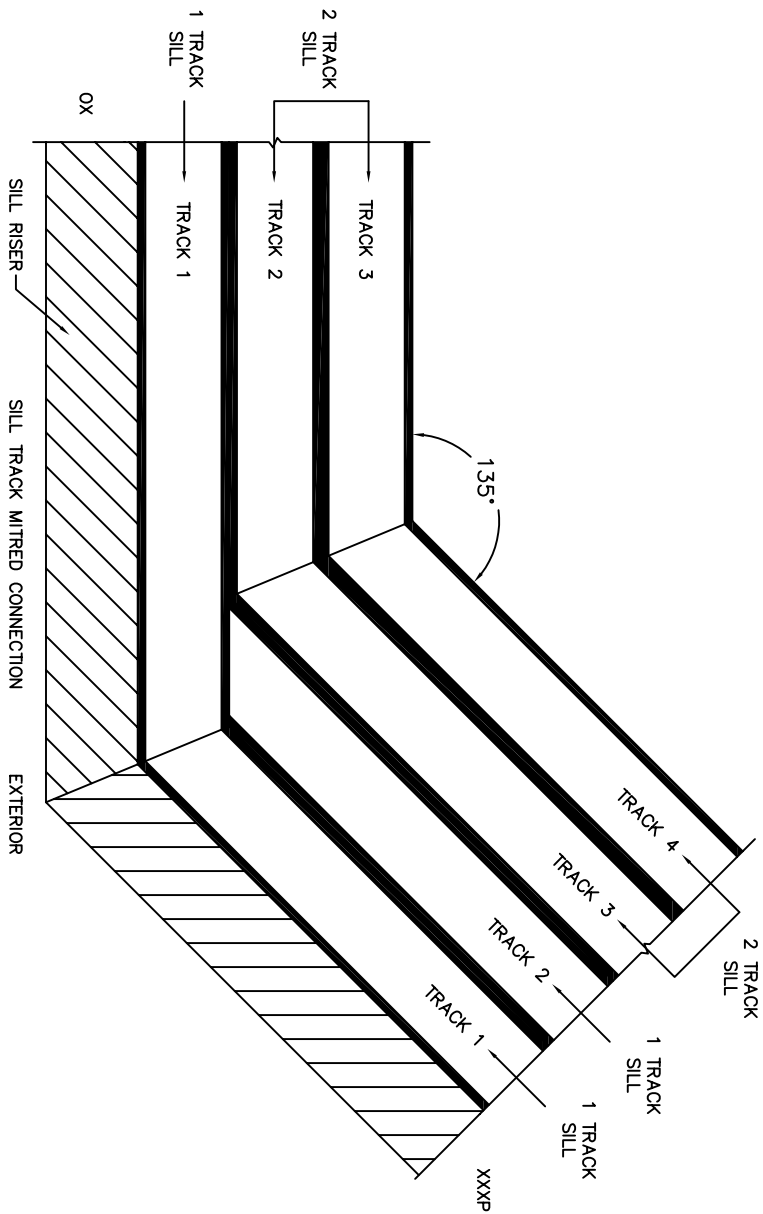
**FLEETWOOD**  
 WINDOWS & DOORS  
 FleetwoodUSA.com

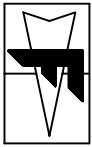
**NORWOOD 3070EX M/S**  
 135° OXISXP CUSTOM CONFIGURATION  
 WITH SCREENS

ORDER NO.:

ITEM NO.:

SCALE: 1/4





**FLEETWOOD**  
 WINDOWS & DOORS  
 FleetwoodUSA.com

**NORWOOD 3070EX M/S**  
 135°OXIXXP CUSTOM CONFIGURATION  
 WITH SCREENS

ORDER NO.:

ITEM NO.:

SCALE: 1/4

POCKET VIEW: PANELS IN OPEN POSITION

