

**FLEETWOOD**  
WINDOWS & DOORS  
FleetwoodUSA.com

**NORWOOD 3070EX M/S**  
135°OXIXO CUSTOM CONFIGURATION  
WITH SCREENS

ORDER NO.:

ITEM NO.:

REQUIRED DEALER INFO.

**A**(NET FRAME WIDTH)

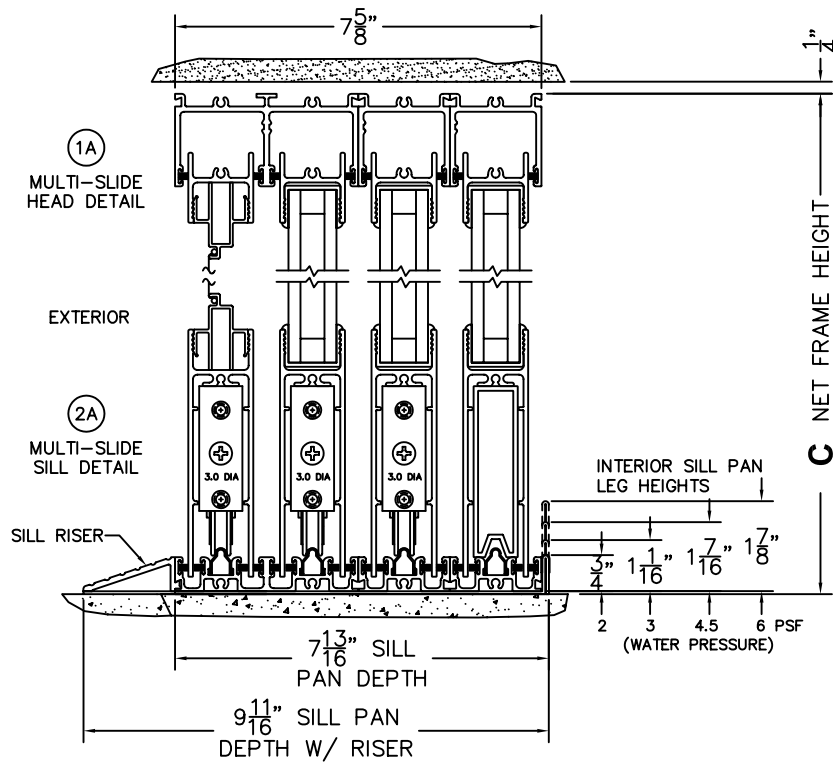
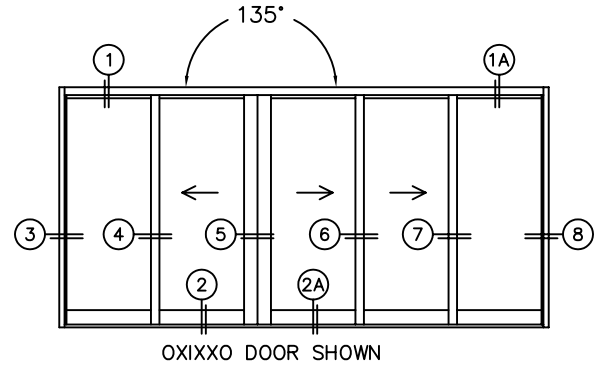
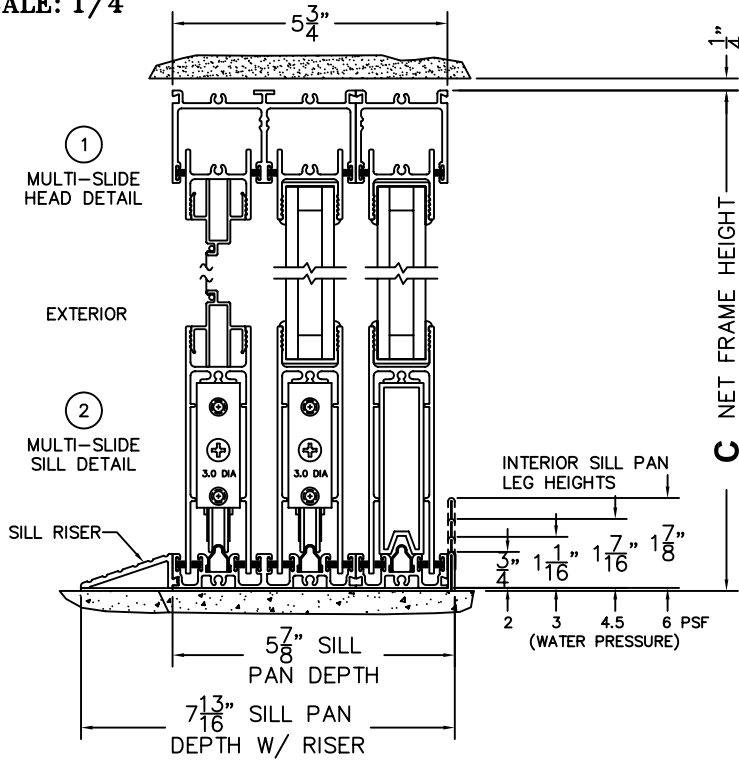
**B**(NET FRAME WIDTH)

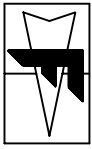
**C**(NET FRAME HEIGHT)

SILL PAN HEIGHT(INTERIOR LEG)  
(3/4", 1-1/16", 1-7/16" OR 1-7/8")

NOTES:

SCALE: 1/4





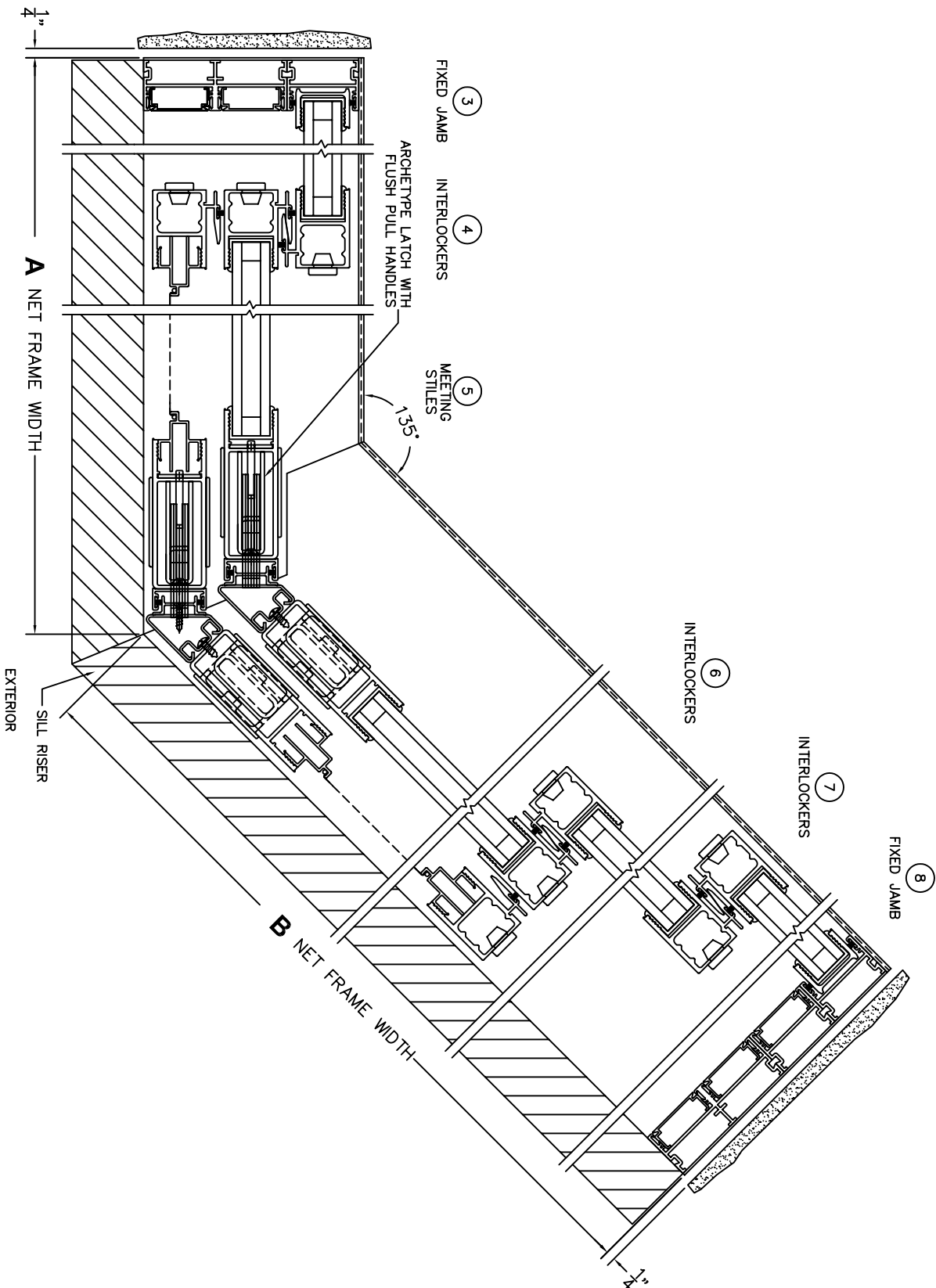
**FLEETWOOD**  
WINDOWS & DOORS  
FleetwoodUSA.com

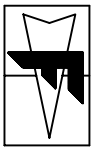
**NORWOOD 3070EX M/S**  
135°OXIXXO CUSTOM CONFIGURATION  
WITH SCREENS

ORDER NO.:

ITEM NO.:

SCALE: 1/4





**FLEETWOOD**  
WINDOWS & DOORS  
FleetwoodUSA.com

# NORWOOD 3070EX M/S

135° OXIXXO CUSTOM CONFIGURATION  
WITH SCREENS

SCALE: 1/4

