

**FLEETWOOD**  
WINDOWS & DOORS  
FleetwoodUSA.com

**NORWOOD 3070EX M/S**  
120°PXIXP CUSTOM CONFIGURATION  
WITH SCREENS

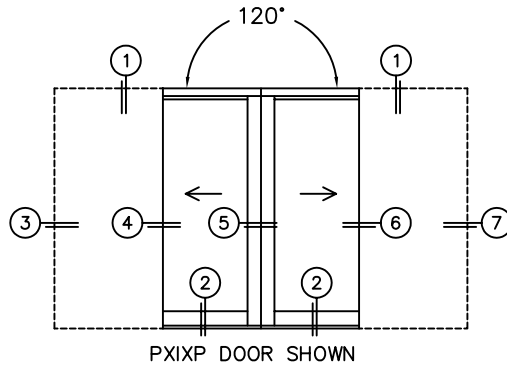
ORDER NO.:

ITEM NO.:

SCALE: 1/4

REQUIRED DEALER INFO.

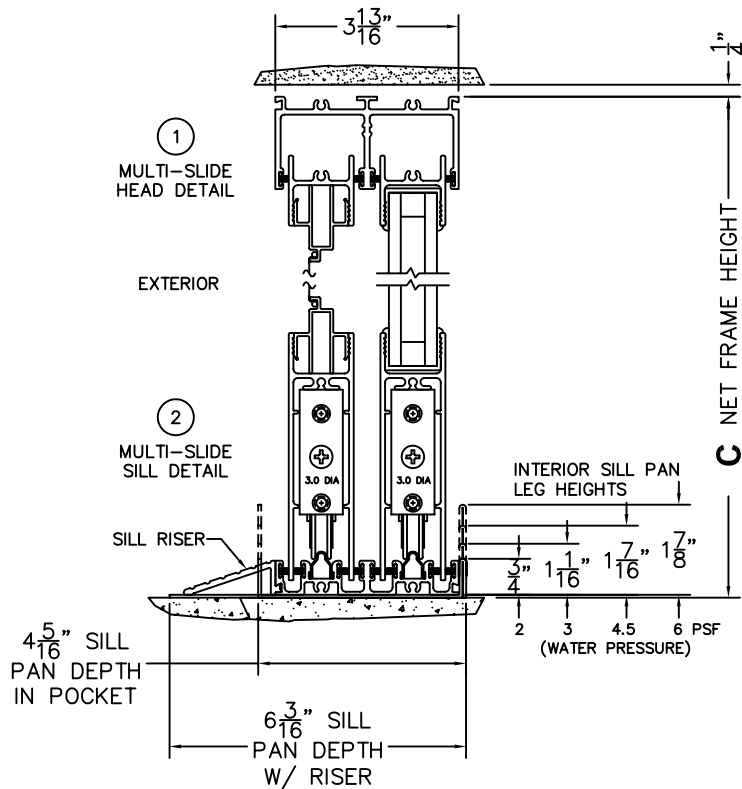
<b>A</b> (DAYLIGHT WIDTH)	
<b>B</b> (DAYLIGHT WIDTH)	
<b>C</b> (NET FRAME HEIGHT)	
SILL PAN HEIGHT(INTERIOR LEG) (3/4", 1-1/16", 1-7/16" OR 1-7/8")	



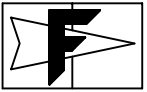
CALCULATED VALUES (FLEETWOOD SUPPLIED)

<b>D</b> (POCKET WIDTH)	
<b>E</b> (NET FRAME WIDTH)	
<b>F</b> (POCKET WIDTH)	
<b>G</b> (NET FRAME WIDTH)	

NOTES:







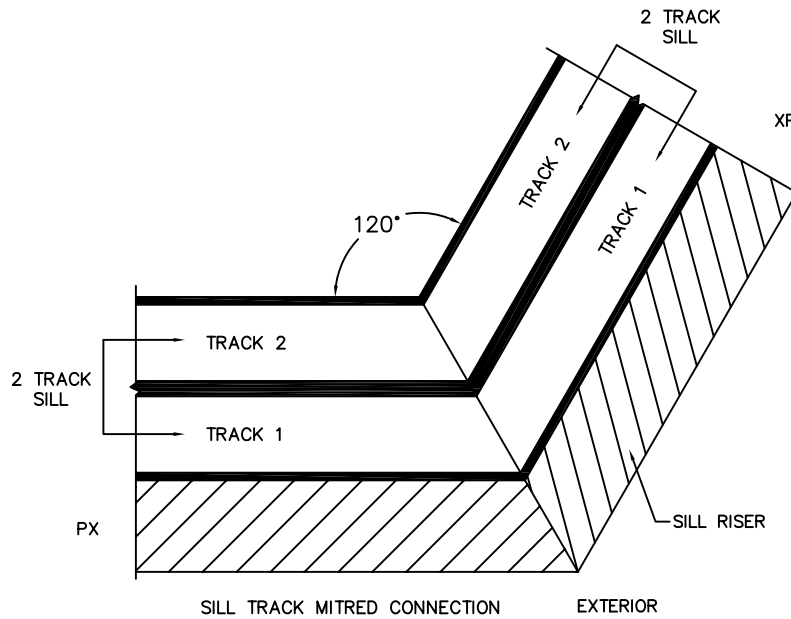
**FLEETWOOD**  
WINDOWS & DOORS  
FleetwoodUSA.com

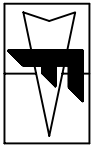
**NORWOOD 3070EX M/S**  
120°PXIXP CUSTOM CONFIGURATION  
WITH SCREENS

ORDER NO.:

ITEM NO.:

SCALE: 1/4





**FLEETWOOD**  
 WINDOWS & DOORS  
 FleetwoodUSA.com

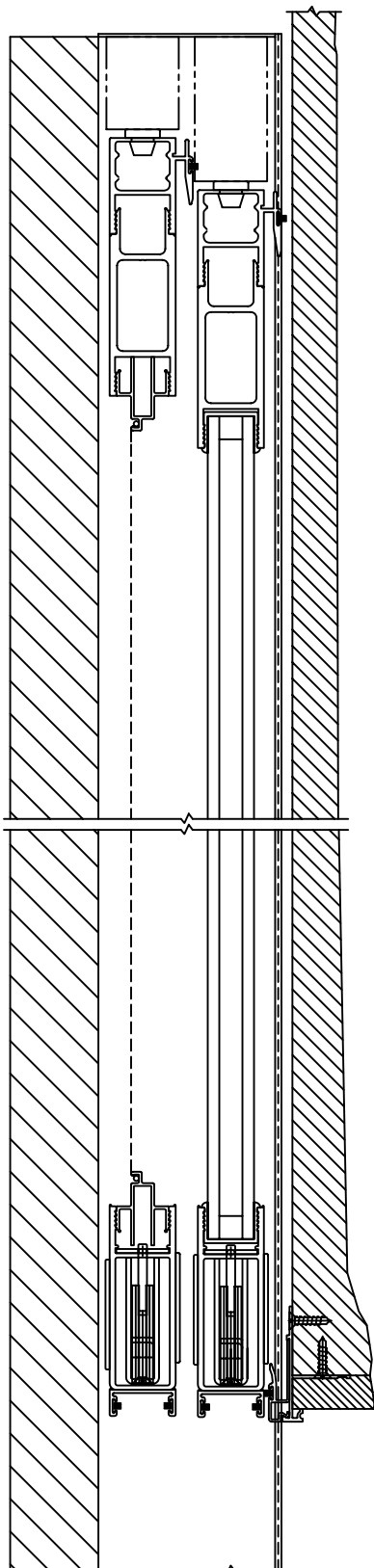
**NORWOOD 3070EX M/S**  
 120°PXIXP CUSTOM CONFIGURATION  
 WITH SCREENS

ORDER NO.:

ITEM NO.:

SCALE: 1/4

POCKET VIEWS: PANELS IN OPEN POSITION  
 (LEFT SIDE)



(RIGHT SIDE)

