



**FLEETWOOD**  
WINDOWS & DOORS  
FleetwoodUSA.com

**NORWOOD 3070EX M/S**  
**OXIXO CUSTOM CONFIGURATION**  
**WITH SCREENS**

ORDER NO.: -

ITEM NO.:

REQUIRED DEALER INFO.

**A**(NET FRAME WIDTH)

**B**(NET FRAME WIDTH)

**C**(NET FRAME HEIGHT)

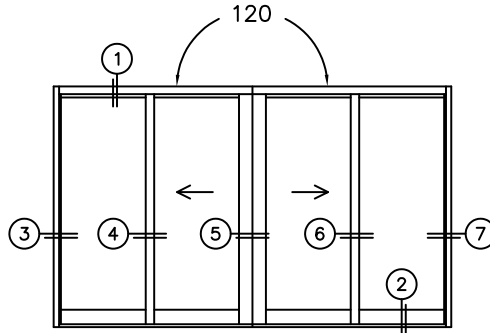
SILL PAN HEIGHT (INTERIOR LEG)  
(3/4", 1-1/16", 1-7/16" OR 1-7/8")

NOTES:

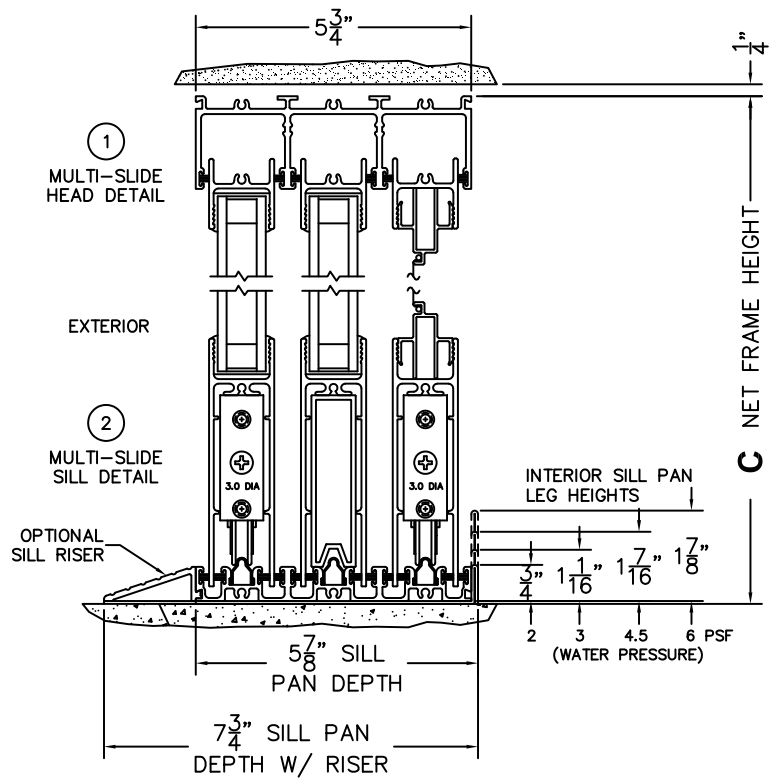


(USE RULER TO SCALE DIMENSIONS IN INCHES)

SCALE: 1/4



OXIXO DOOR SHOWN





**FLEETWOOD**  
WINDOWS & DOORS  
FleetwoodUSA.com

**NORWOOD 3070EX M/S**  
120° OXIXO CUSTOM CONFIGURATION  
WITH SCREENS

ORDER NO.:

ITEM NO.:

