

**FLEETWOOD**  
WINDOWS & DOORS  
FleetwoodUSA.com

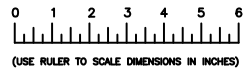
**NORWOOD 3070EX M/S**  
112°OXIXO CUSTOM CONFIGURATION  
NO SCREENS

ORDER NO.:

ITEM NO.:

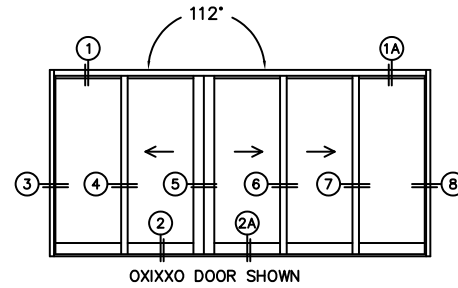
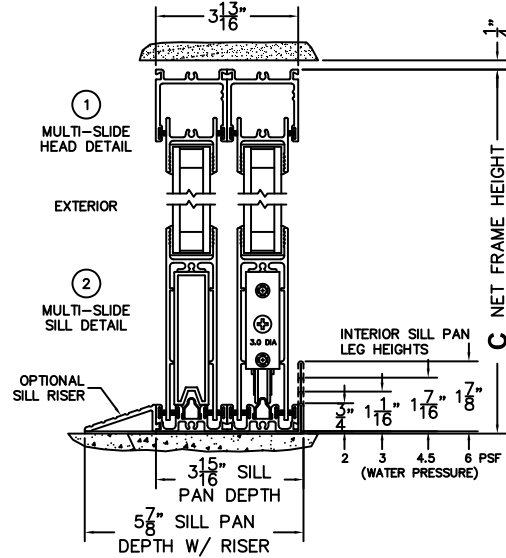
REQUIRED DEALER INFO.

<b>A</b> (NET FRAME WIDTH)	
<b>B</b> (NET FRAME WIDTH)	
<b>C</b> (NET FRAME HEIGHT)	
SILL PAN HEIGHT (INTERIOR LEG) (3/4", 1-1/16", 1-7/16" OR 1-7/8")	

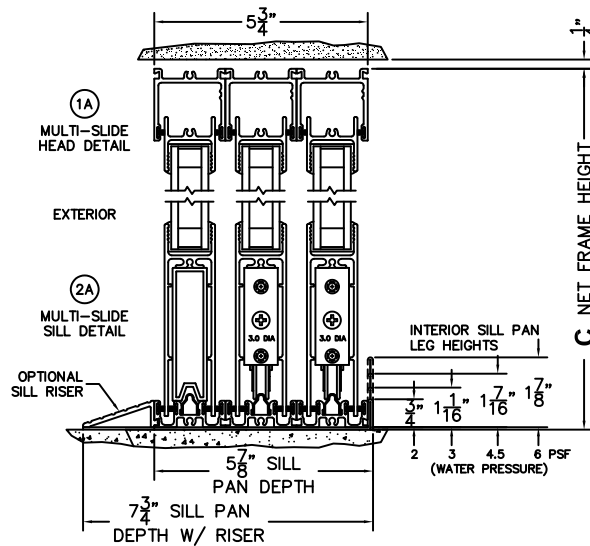


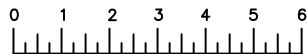
(USE RULER TO SCALE DIMENSIONS IN INCHES)

SCALE: 1/4



NOTES:





(USE RULER TO SCALE DIMENSIONS IN INCHES)

SCALE: 1/4

