

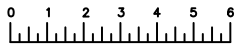


FLEETWOOD
WINDOWS & DOORS
FleetwoodUSA.com

NORWOOD 3050
XXXIXXX STANDARD CONFIGURATION
NO SCREENS

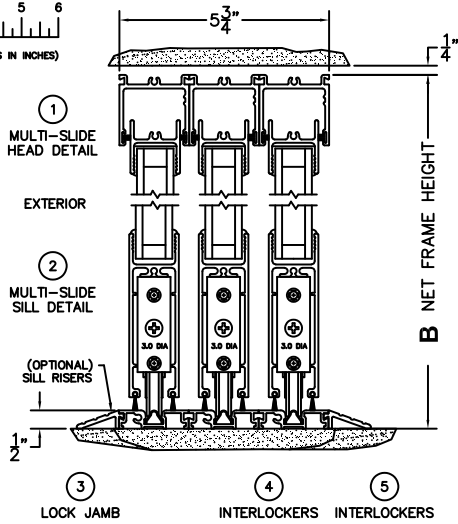
ORDER NO.:

ITEM NO.:

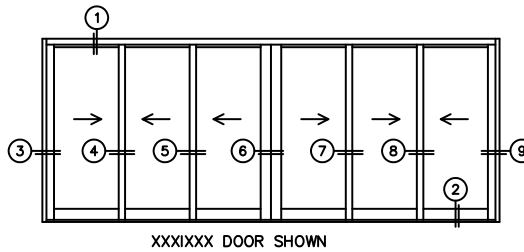


(USE RULER TO SCALE DIMENSIONS IN INCHES)

SCALE: 1/4



*CAUTION: WHEN CONSTRUCTING POCKET NOTE THAT DAYLIGHT WIDTH DOES NOT INCLUDE 1" SET BACK FOR POST INTERLOCKER.



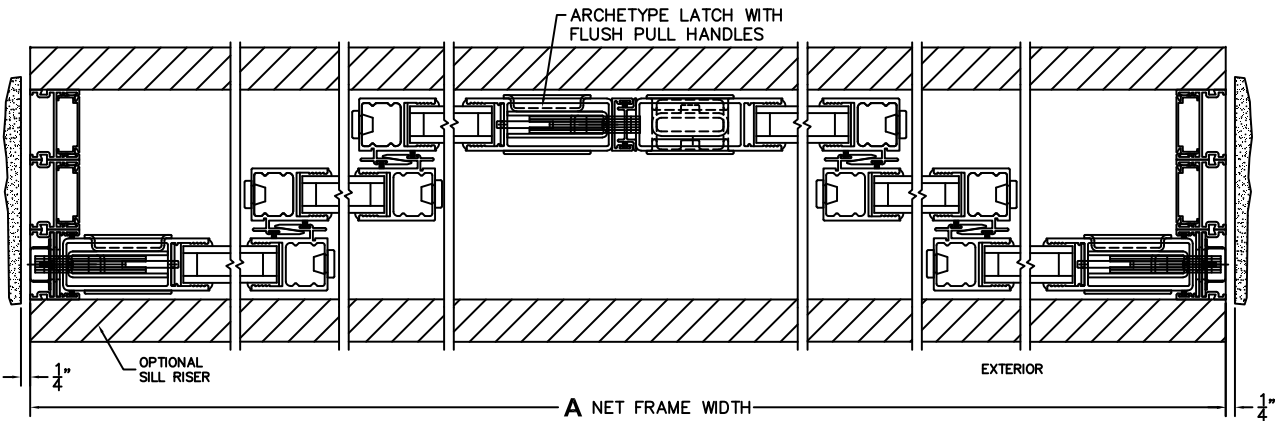
REQUIRED DEALER INFO.

A (DAYLIGHT WIDTH)	
B (NET FRAME HEIGHT)	
SILL PAN HEIGHT (INTERIOR LEG) (3/4", 1-1/16", 1-7/16" OR 1-7/8")	

CALCULATED VALUES (FLEETWOOD SUPPLIED)

C (POCKET WIDTH)	
D (NET FRAME WIDTH)	

NOTES:



DWG NO.: 3050-XXXIXXX-NS0-IS-MS-STI-HF-DN-AN

SHEET: 1 OF 1

CUSTOMER SIGNATURE

DATE: