

FLEETWOOD
WINDOWS & DOORS
FleetwoodUSA.com

NORWOOD 3050

XXXIXXX STANDARD CONFIG.
NO SCREENS

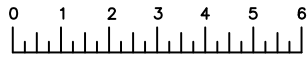
ORDER NO.:

ITEM NO.:

REQUIRED DEALER INFO.

A(NET FRAME WIDTH)

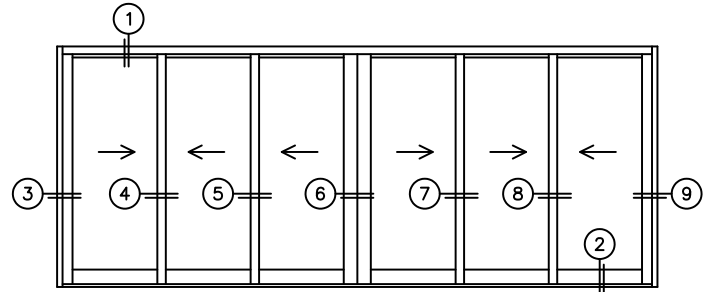
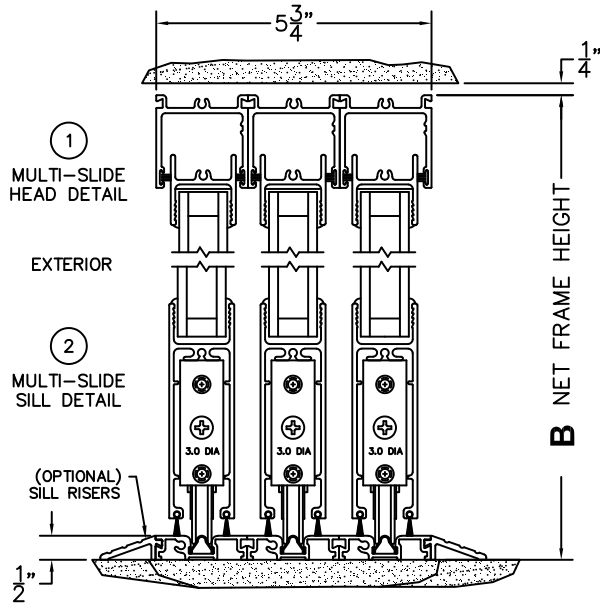
B(NET FRAME HEIGHT)



(USE RULER TO SCALE DIMENSIONS IN INCHES)

SCALE: 1/4

NOTES:



XXXIXXX DOOR SHOWN

3
LOCK JAMB

4
INTERLOCKERS

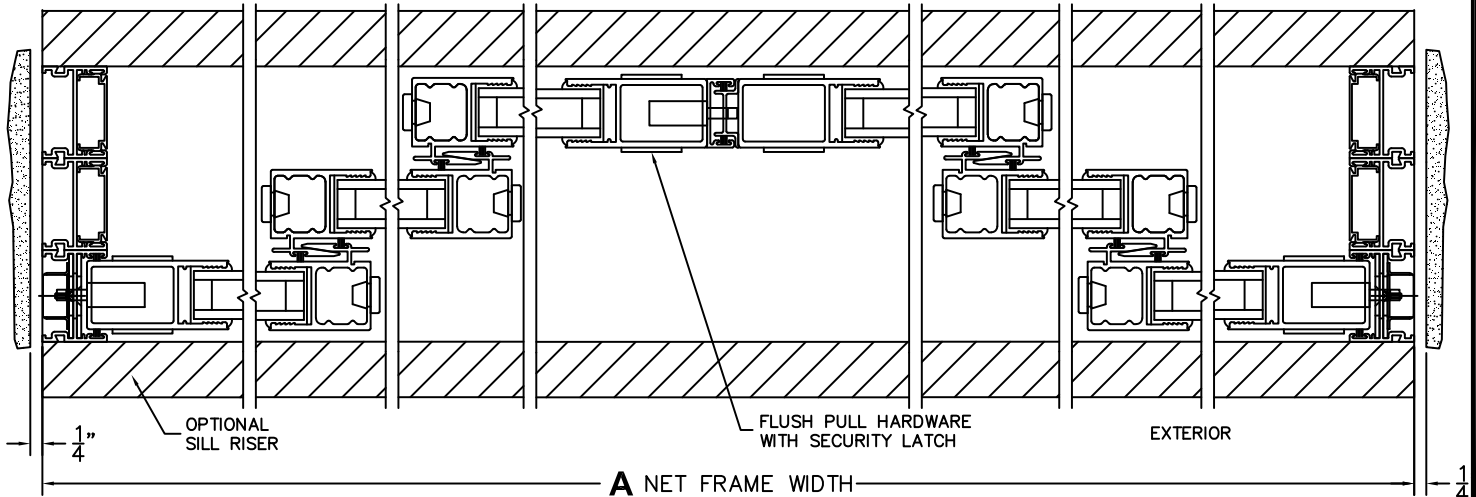
5
INTERLOCKERS

6
MEETING STILES

7
INTERLOCKERS

8
INTERLOCKERS

9
LOCK JAMB



NOTE: THIS DRAWING AND THE ACCOMPANYING "OPTIONS AND UPGRADES" ARE FOR CONCEPT ONLY! AT THE TIME OF ORDER WE WILL CUSTOMIZE THE DRAWINGS TO FIT THE FINAL CONFIGURATION. SEE DRAWINGS 3050-08 THRU 3050-09 FOR ADDITIONAL INFORMATION.