



FLEETWOOD
WINDOWS & DOORS
FleetwoodUSA.com

NORWOOD 3050

XXIXX CUSTOM CONFIG.
NO SCREENS

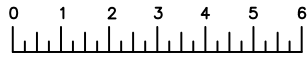
ORDER NO.:

ITEM NO.:

REQUIRED DEALER INFO.

A(NET FRAME WIDTH)

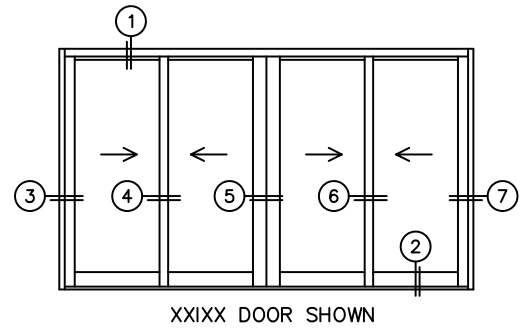
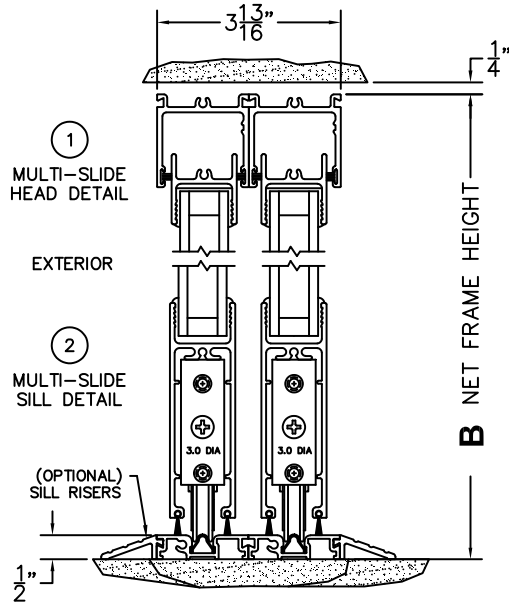
B(NET FRAME HEIGHT)



(USE RULER TO SCALE DIMENSIONS IN INCHES)

SCALE: 1/4

NOTES:



3 LOCK JAMB

4 INTERLOCKERS

5 MEETING STILES

6 INTERLOCKERS

7 LOCK JAMB

C-PULL HANDLES WITH THUMB TURN AND SECURITY LATCH

