



FLEETWOOD
WINDOWS & DOORS
FleetwoodUSA.com

NORWOOD 3050

XP CUSTOM CONFIGURATION
NO SCREENS

ORDER NO.:

ITEM NO.:

SCALE: 1/4

REQUIRED DEALER INFO.

A(DAYLIGHT WIDTH)

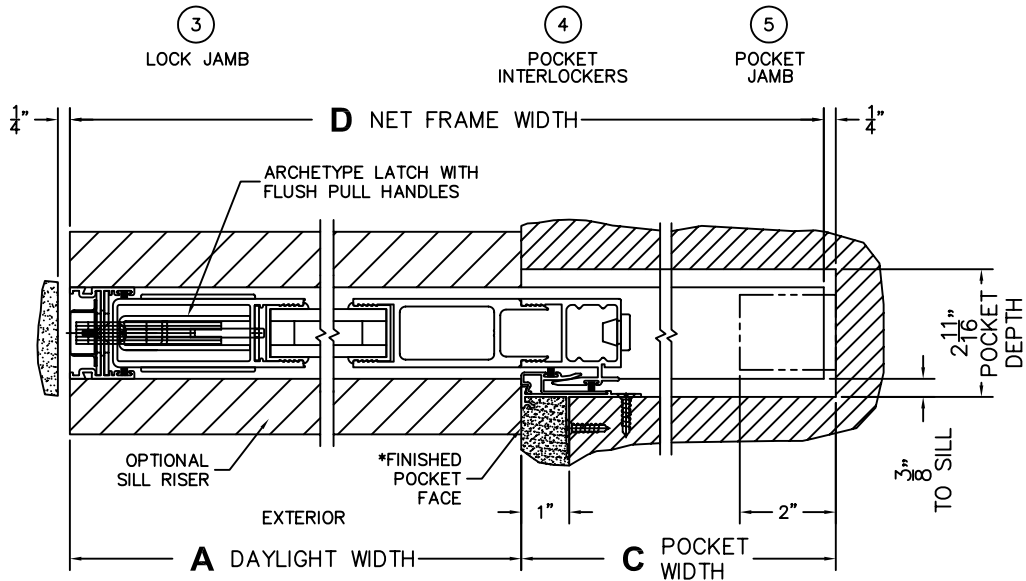
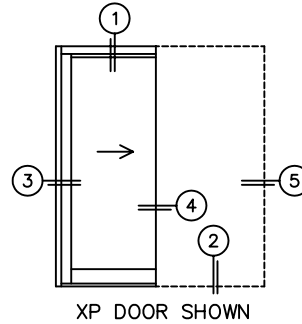
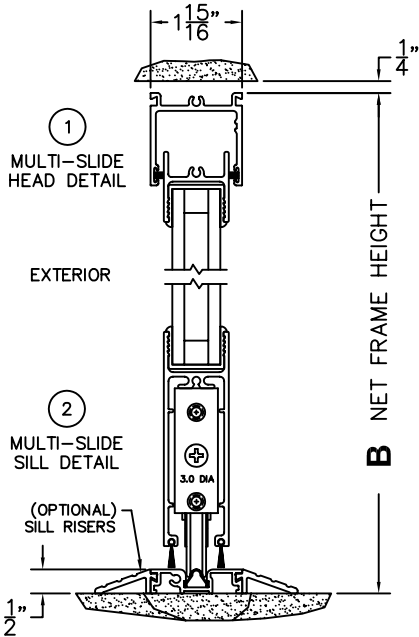
B(NET FRAME HEIGHT)

CALCULATED VALUES (FLEETWOOD SUPPLIED)

C(POCKET WIDTH)

D(NET FRAME WIDTH)

NOTES:



*CAUTION: WHEN CONSTRUCTING POCKET NOTE THAT DAYLIGHT WIDTH DOES NOT INCLUDE 1" SET BACK FOR POST INTERLOCKER.