



**FLEETWOOD**  
WINDOWS & DOORS  
FleetwoodUSA.com

**NORWOOD 3050**  
XO STANDARD CONFIGURATION  
NO SCREENS

ORDER NO.:

ITEM NO.:

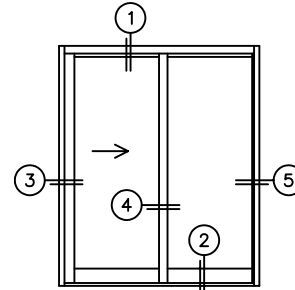
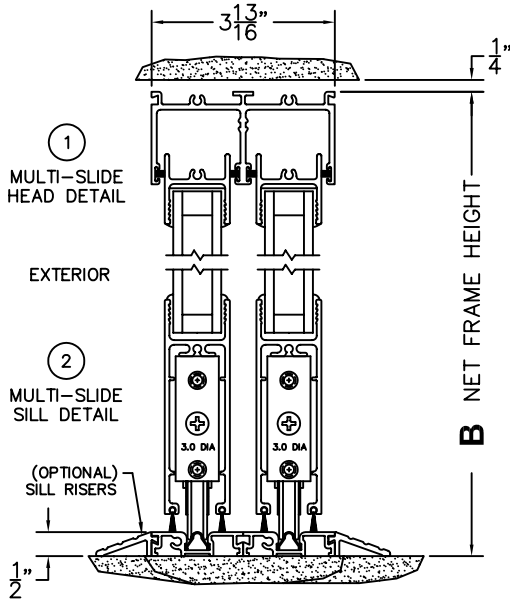
SCALE: 1/4

REQUIRED DEALER INFO.

**A** (NET FRAME WIDTH)

**B** (NET FRAME HEIGHT)

NOTES:

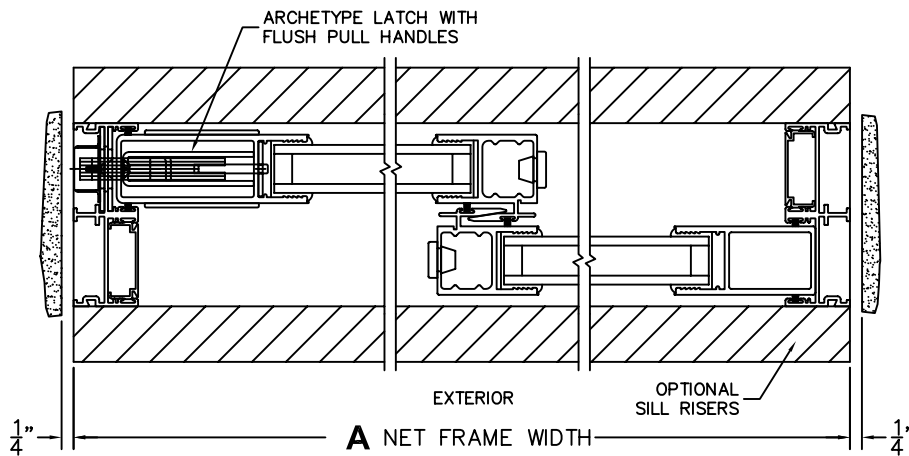


XO DOOR SHOWN

③ LOCK JAMB

④ INTERLOCKERS

⑤ FIXED JAMB





**FLEETWOOD**  
WINDOWS & DOORS  
FleetwoodUSA.com

**NORWOOD 3050**  
XO STANDARD CONFIGURATION  
NO SCREENS

ORDER NO.:

ITEM NO.:

SCALE: 1/4

FLUSH STACK: DOOR SHOWN IN OPEN POSITION

