

**FLEETWOOD**  
WINDOWS & DOORS  
FleetwoodUSA.com

# NORWOOD 3050

XIXX STANDARD CONFIG.  
NO SCREENS

ORDER NO.:

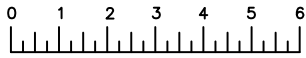
ITEM NO.:

REQUIRED DEALER INFO.

**A**(NET FRAME WIDTH)

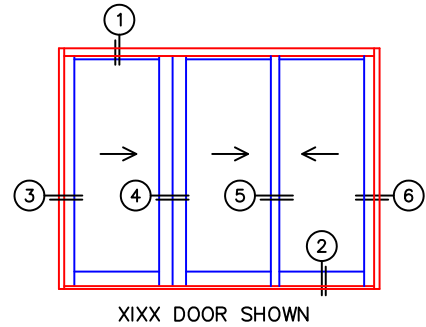
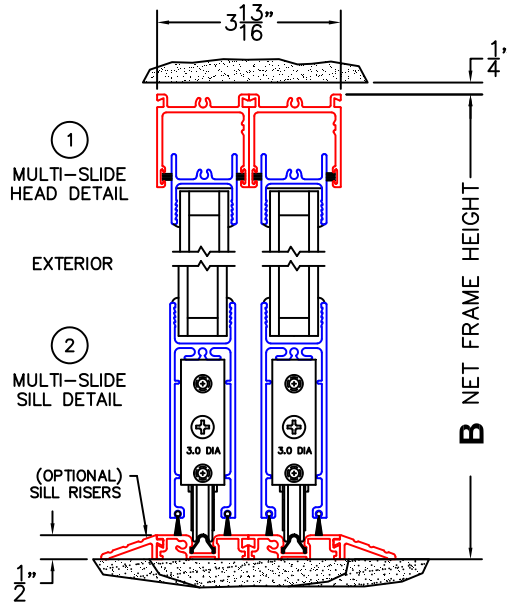
**B**(NET FRAME HEIGHT)

NOTES:



(USE RULER TO SCALE DIMENSIONS IN INCHES)

SCALE: 1/4"



3  
LOCK JAMB

4  
MEETING STILES

5  
INTERLOCKERS

6  
LOCK JAMB

