



**FLEETWOOD**  
WINDOWS & DOORS  
FleetwoodUSA.com

# NORWOOD 3050

PXXXXX CUSTOM CONFIG.  
NO SCREENS

ORDER NO.:

ITEM NO.:

REQUIRED DEALER INFO.

**A**(DAYLIGHT WIDTH)

**B**(NET FRAME HEIGHT)

CALCULATED VALUES (FLEETWOOD SUPPLIED)

**C**(POCKET WIDTH)

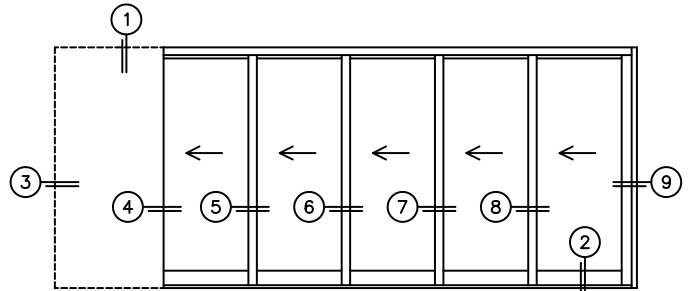
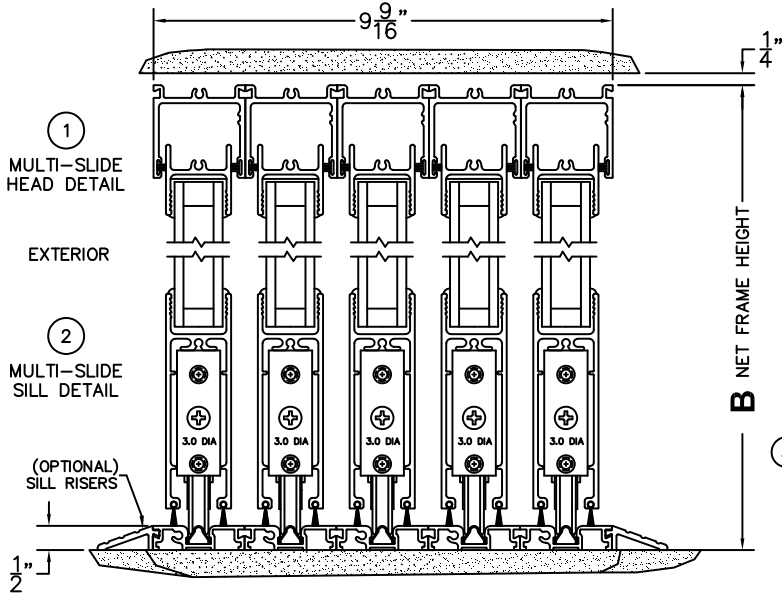
**D**(NET FRAME WIDTH)

NOTES:



(USE RULER TO SCALE DIMENSIONS IN INCHES)

SCALE: 1/4"



PXXXXX DOOR SHOWN

- (3)  
POCKET JAMB
- (4)  
POCKET INTERLOCKERS
- (5)  
INTERLOCKERS
- (6)  
INTERLOCKERS
- (7)  
INTERLOCKERS
- (8)  
INTERLOCKERS
- (9)  
LOCK JAMB

