

FLEETWOOD
WINDOWS & DOORS
FleetwoodUSA.com

NORWOOD 3050
OXXIXXO STANDARD CONFIGURATION
NO SCREENS

ORDER NO.:

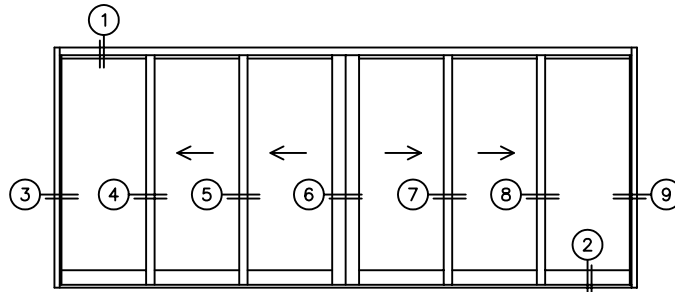
ITEM NO.:

SCALE: 1/4

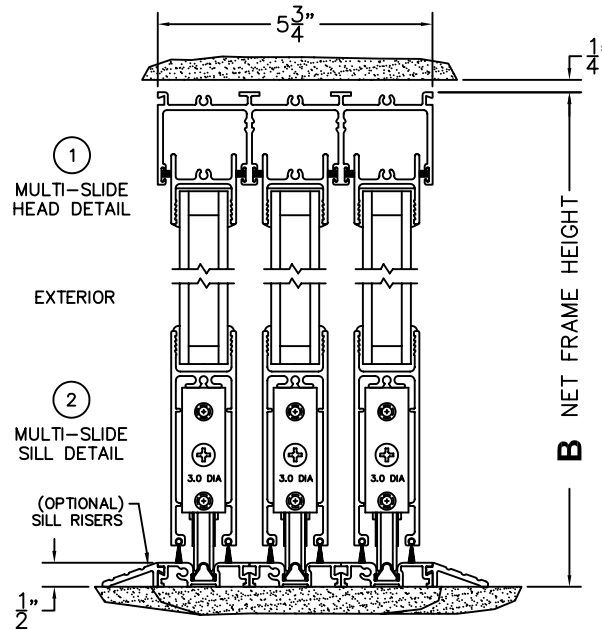
REQUIRED DEALER INFO.

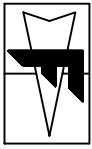
A (NET FRAME WIDTH)	
B (NET FRAME HEIGHT)	

NOTES:



OXXIXXO DOOR SHOWN





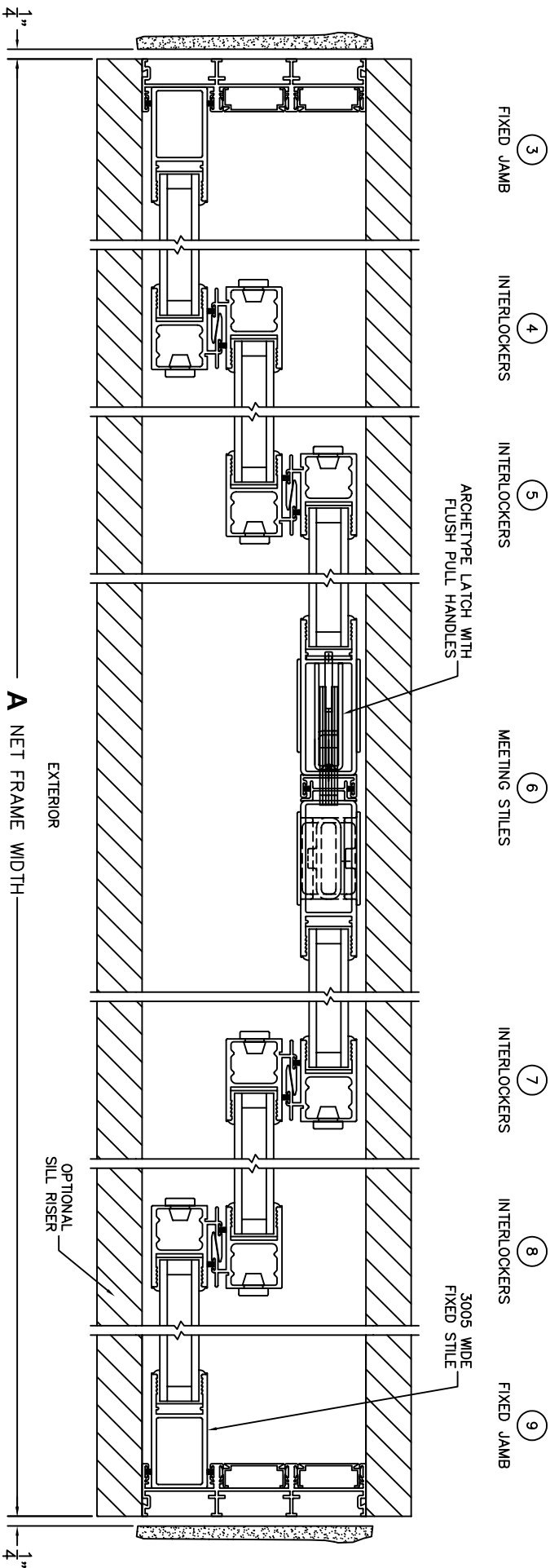
FLEETWOOD
WINDOWS & DOORS
FleetwoodUSA.com

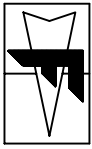
NORWOOD 3050
OXXIXO STANDARD CONFIGURATION
NO SCREENS

ORDER NO.:

ITEM NO.:

SCALE: 1/4





FLEETWOOD
WINDOWS & DOORS
FleetwoodUSA.com

NORWOOD 3050
OXXIXO STANDARD CONFIGURATION
NO SCREENS

ORDER NO.:

ITEM NO.:

SCALE: 1/4

NON-FLUSH STACK: PANELS IN OPEN POSITION

