

**FLEETWOOD**  
WINDOWS & DOORS  
FleetwoodUSA.com

**NORWOOD 3050**  
OXIXO CUSTOM CONFIGURATION  
NO SCREENS

ORDER NO.:

ITEM NO.:

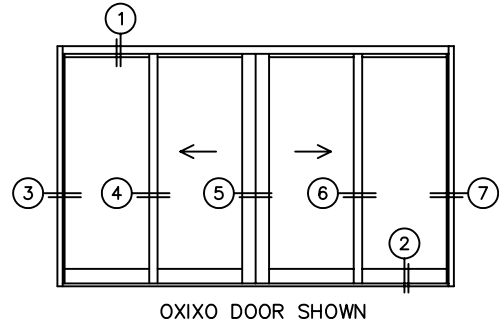
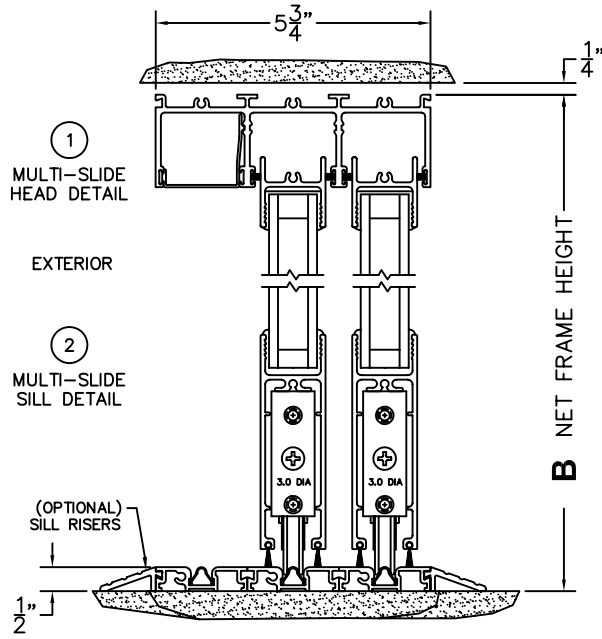
SCALE: 1/4

REQUIRED DEALER INFO.

**A** (NET FRAME WIDTH)

**B** (NET FRAME HEIGHT)

NOTES:



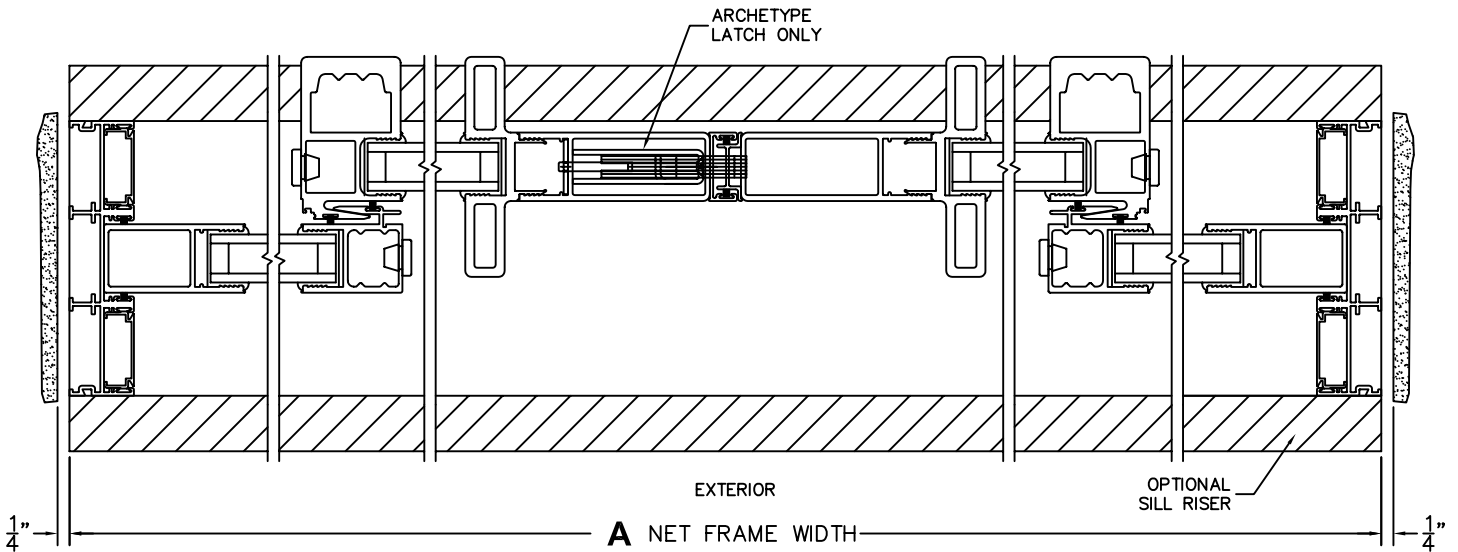
3  
FIXED JAMB

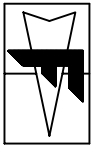
4  
INTERLOCKERS

5  
MEETING STILES

6  
INTERLOCKERS

7  
FIXED JAMB





**FLEETWOOD**  
WINDOWS & DOORS  
FleetwoodUSA.com

**NORWOOD 3050**  
OXIXO CUSTOM CONFIGURATION  
NO SCREENS

ORDER NO.:

ITEM NO.:

SCALE: 1/4

DOOR SHOWN IN OPEN POSITION

