

FLEETWOOD
WINDOWS & DOORS
FleetwoodUSA.com

NORWOOD 3050 M/S
OXIXO STANDARD CONFIGURATION
NO SCREENS

ORDER NO.:

ITEM NO.:

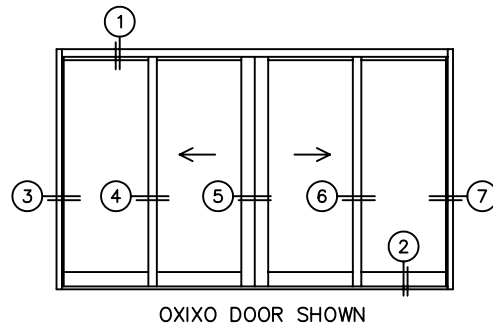
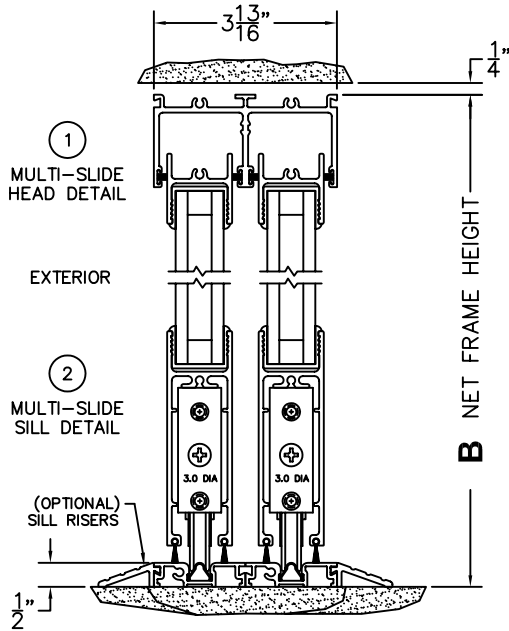
SCALE: 1/4

REQUIRED DEALER INFO.

A (NET FRAME WIDTH)

B (NET FRAME HEIGHT)

NOTES:



③
FIXED JAMB

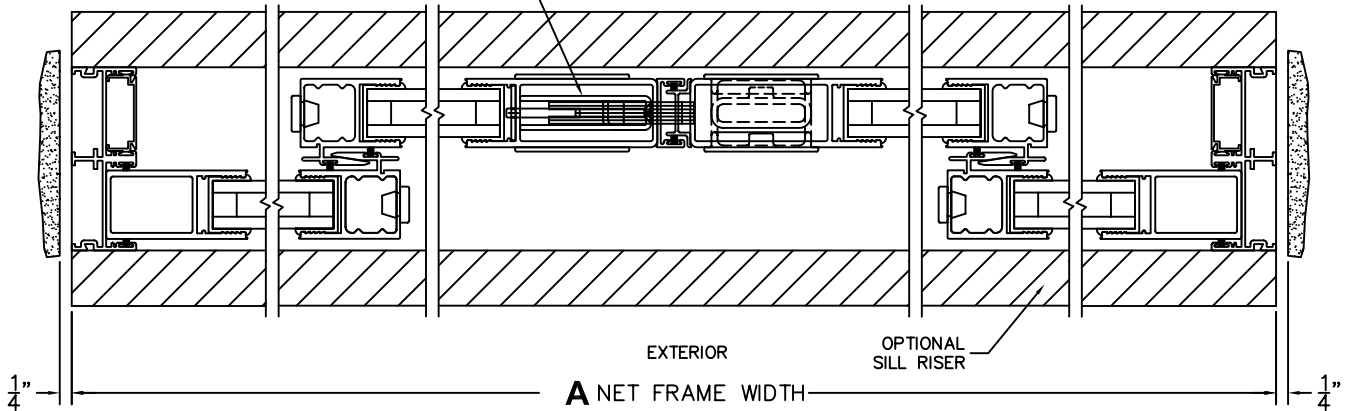
④
INTERLOCKERS

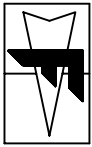
⑤
MEETING STILES

⑥
INTERLOCKERS

⑦
FIXED JAMB

ARCHETYPE LATCH WITH
FLUSH PULL HANDLES





FLEETWOOD
WINDOWS & DOORS
FleetwoodUSA.com

NORWOOD 3050 M/S
OXIXO STANDARD CONFIGURATION
NO SCREENS

ORDER NO.:

ITEM NO.:

SCALE: 1/4

EQUAL GLASS: DOOR SHOWN IN OPEN POSITION

