



FLEETWOOD
WINDOWS & DOORS
FleetwoodUSA.com

NORWOOD 3050
XXXX CUSTOM CONFIGURATION
NO SCREENS 1" HIDDEN TRACK

ORDER NO.:

ITEM NO.:

REQUIRED DEALER INFO.

A(NET FRAME WIDTH)

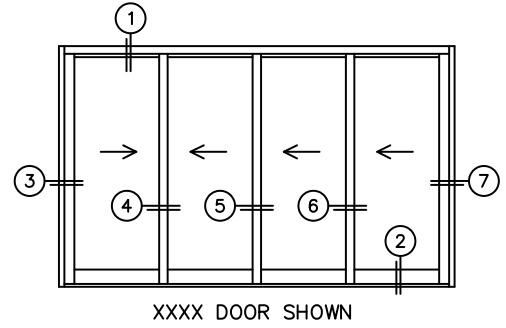
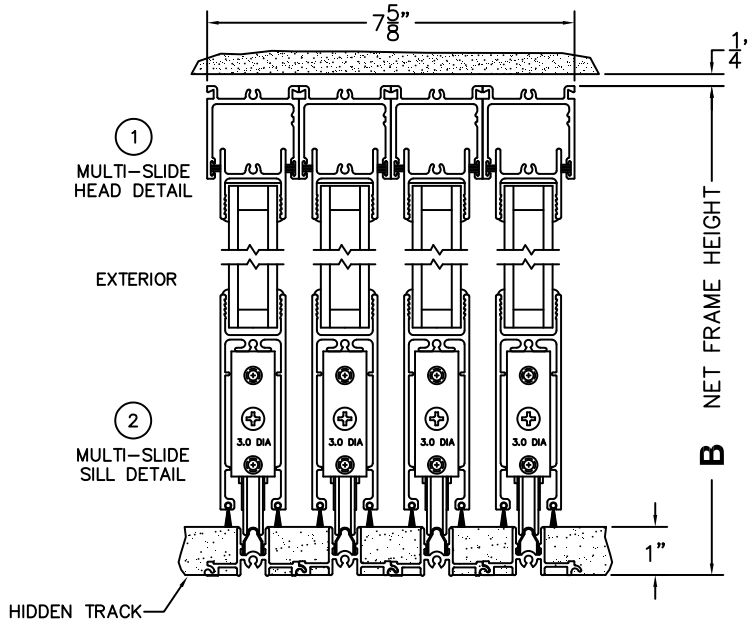
B(NET FRAME HEIGHT)



(USE RULER TO SCALE DIMENSIONS IN INCHES)

SCALE: 1/4"

NOTES:



③ LOCK JAMB

④ INTERLOCKERS

⑤ INTERLOCKERS

⑥ INTERLOCKERS

⑦ LOCK JAMB

ARCHETYPE LATCH WITH FLUSH PULL HANDLES

